



US00D977342S

(12) **United States Design Patent**
Johnson

(10) **Patent No.:** **US D977,342 S**

(45) **Date of Patent:** **** Feb. 7, 2023**

(54) **TISSUE BOX**

DESCRIPTION

(71) Applicant: **Russell W. Johnson**, San Diego, CA (US)

(72) Inventor: **Russell W. Johnson**, San Diego, CA (US)

(**) Term: **15 Years**

(21) Appl. No.: **29/770,514**

(22) Filed: **Feb. 12, 2021**

(51) **LOC (14) Cl.** **09-01**

(52) **U.S. Cl.**
USPC **D9/734**

(58) **Field of Classification Search**
USPC D9/414, 430, 432, 431, 721, 730, 734;
D3/201, 304, 315; D6/518
CPC A47K 10/185; A47K 10/421; A47K
2010/3266; A47K 10/18; A47K 10/426;
A47K 10/42; B65D 83/0894; B65D 5/72;
B65D 83/0888; B65D 83/0805
See application file for complete search history.

FIG. 1 is a perspective view of a tissue box;
FIG. 2 is a right side view thereof;
FIG. 3 is a left side view thereof;
FIG. 4 is a front side view thereof;
FIG. 5 is a back side view thereof;
FIG. 6 is a top side view thereof;
FIG. 7 is a bottom side view thereof;
FIG. 8 is a perspective view of a tissue box according to a second embodiment;
FIG. 9 is a right side view thereof;
FIG. 10 is a left side view thereof;
FIG. 11 is a front side view thereof;
FIG. 12 is a back side view thereof;
FIG. 13 is a top side view thereof;
FIG. 14 is a bottom side view thereof;
FIG. 15 is a perspective view of a tissue box according to a third embodiment;
FIG. 16 is a right side view thereof;
FIG. 17 is a left side view thereof;
FIG. 18 is a front side view thereof;
FIG. 19 is a back side view thereof;
FIG. 20 is a top side view thereof;
FIG. 21 is a bottom side view thereof;
FIG. 22 is a perspective view of a tissue box according to a fourth embodiment;
FIG. 23 is a right side view thereof;
FIG. 24 is a left side view thereof;
FIG. 25 is a front side view thereof;
FIG. 26 is a back side view thereof;
FIG. 27 is a top side view thereof; and,
FIG. 28 is a bottom side view thereof.

(56) **References Cited**

U.S. PATENT DOCUMENTS

2,915,218 A * 12/1959 Rosenman B65D 5/5011
221/102
3,089,597 A * 5/1963 Kaplan B60R 7/084
248/905
3,514,014 A * 5/1970 Skowronski A47K 10/185
221/46

(Continued)

Primary Examiner — Lauren R Calve

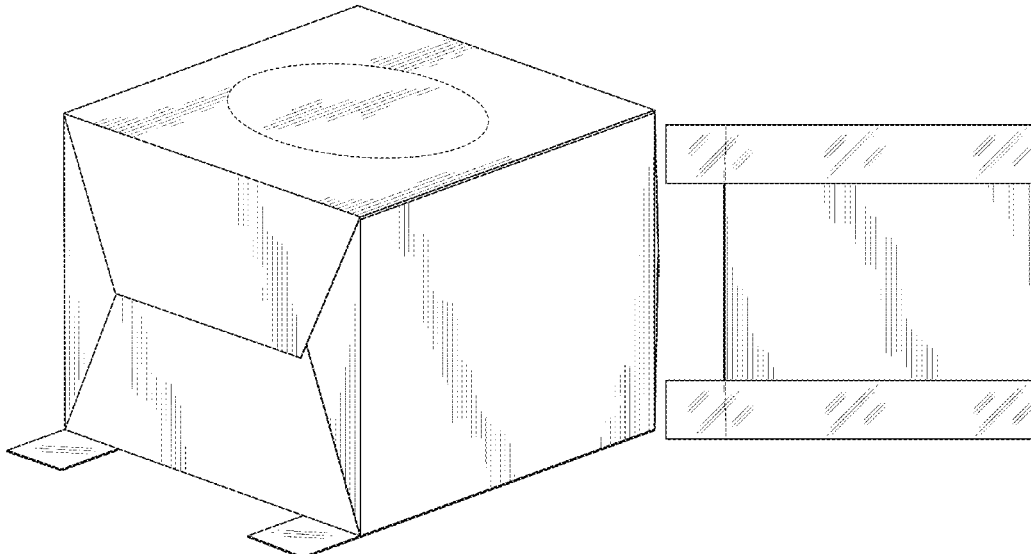
(74) *Attorney, Agent, or Firm* — Buche & Associates, P.C.; John K. Buche; Bryce A. Johnson

(57) **CLAIM**

I claim the ornamental design for a “tissue box,” as shown and described.

Broken lines forming an oval in the top and perspective view of the tissue box embodiments illustrate environmental features, including an unclaimed boundary line, and form no part of the claimed design. The broken lines represent a symbolic break in length and width of the claim, the appearance of any portion of the article between the break lines forms not part of the claimed design.

1 Claim, 16 Drawing Sheets



(56)

References Cited

U.S. PATENT DOCUMENTS

D318,201 S * 7/1991 King D6/518
5,127,545 A * 7/1992 French A45F 5/00
221/199
D374,360 S * 10/1996 Angermeir D6/518
6,604,628 B1 * 8/2003 Tanaka A47K 10/421
206/209
D748,495 S * 2/2016 Young D9/734
D856,702 S * 8/2019 Mathews D6/518
2004/0245266 A1 * 12/2004 Mitchell B65D 75/566
221/33
2008/0277440 A1 * 11/2008 Chen B65D 25/22
220/737
2011/0011879 A1 * 1/2011 Johnson A47K 10/422
221/45
2017/0355490 A1 * 12/2017 LaMee A47K 10/421
2018/0148216 A1 * 5/2018 Stephens B65B 61/182

* cited by examiner

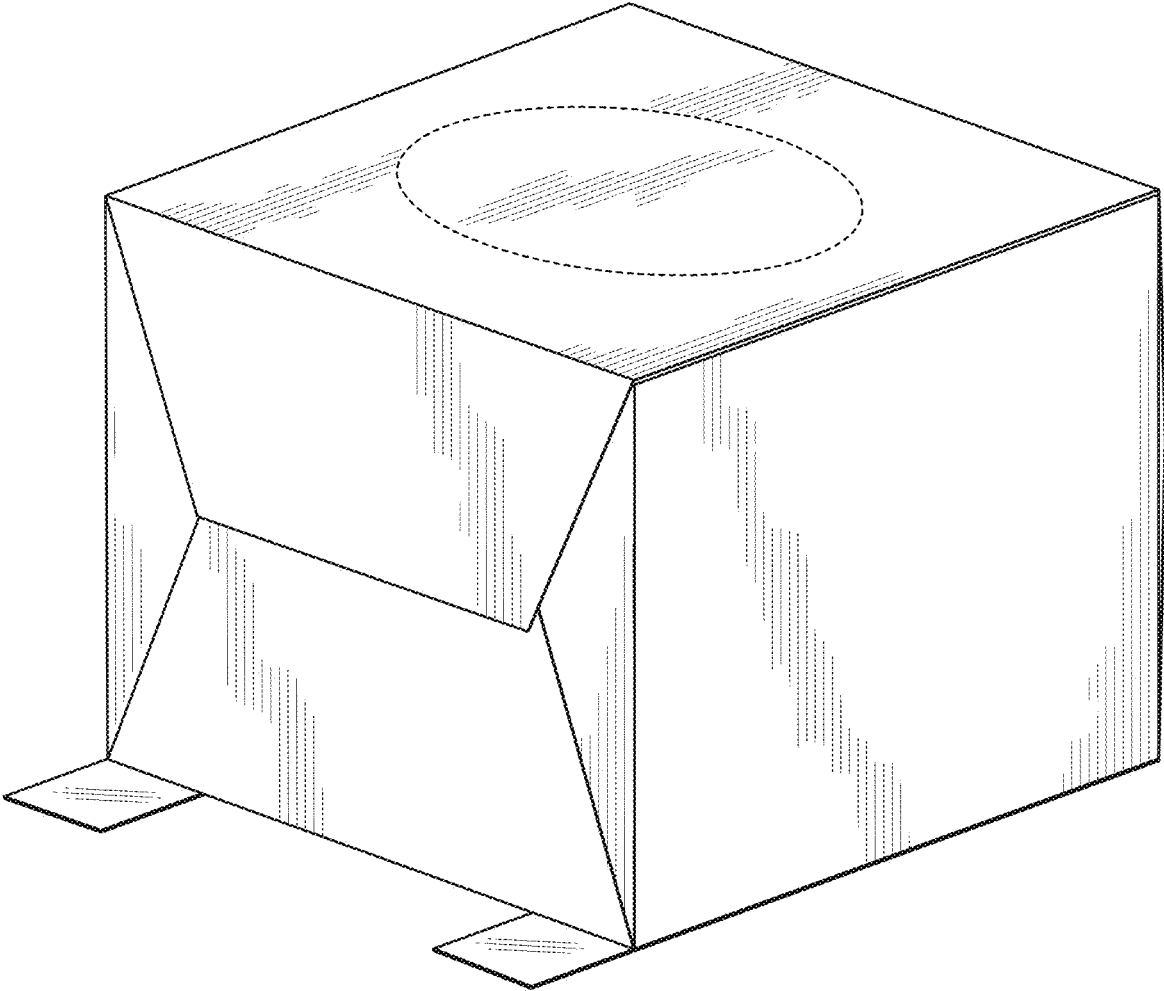


FIG. 1

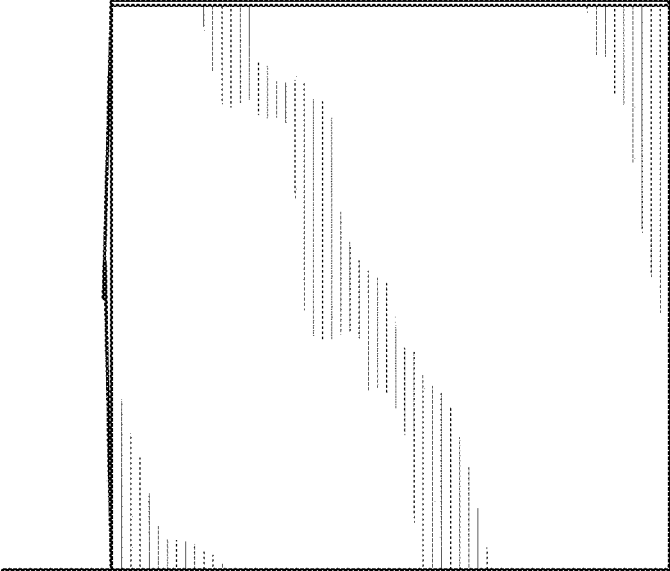


FIG. 2

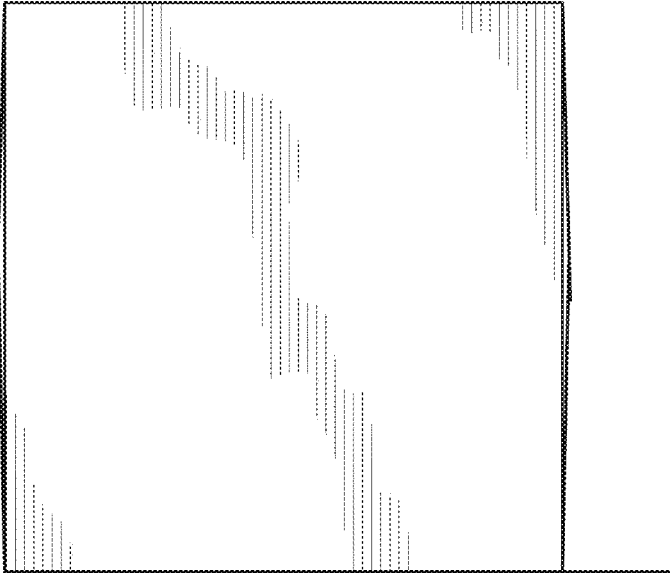


FIG. 3

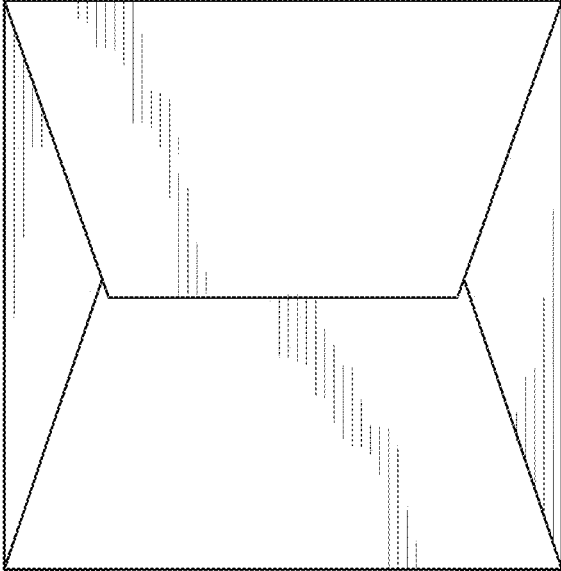


FIG. 4

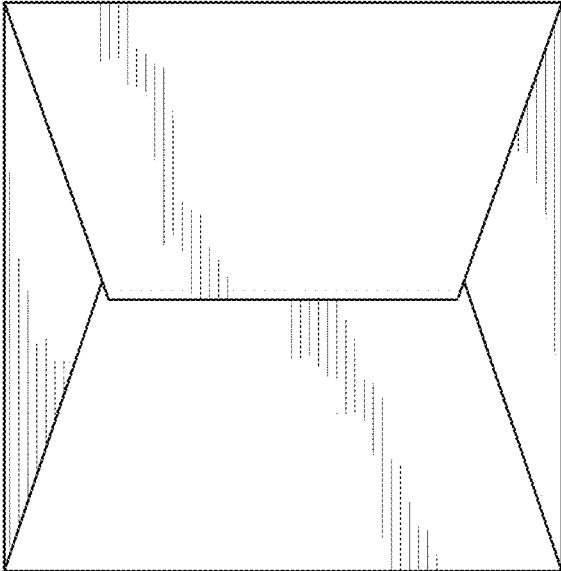


FIG. 5

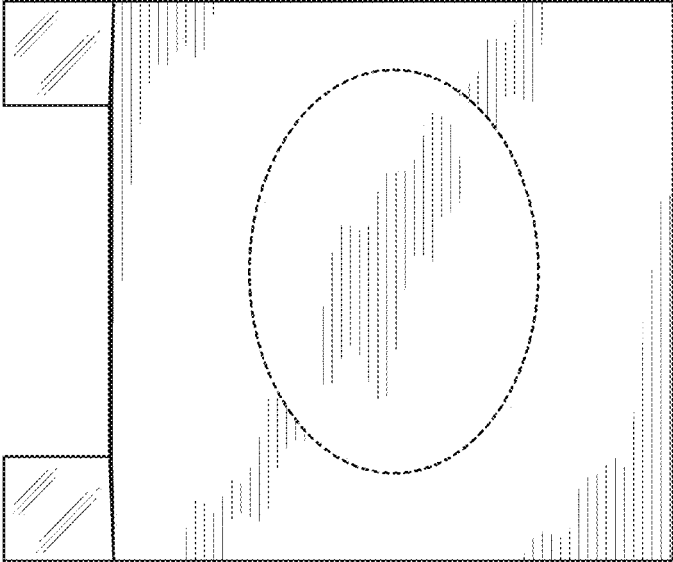


FIG. 6

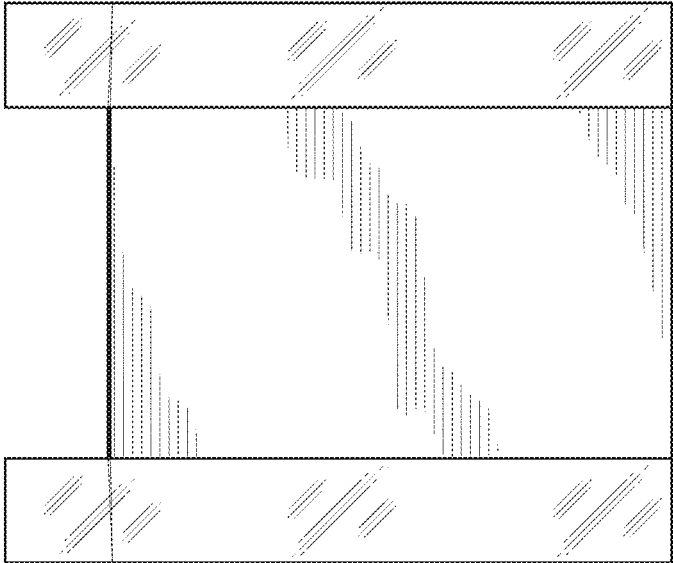


FIG. 7

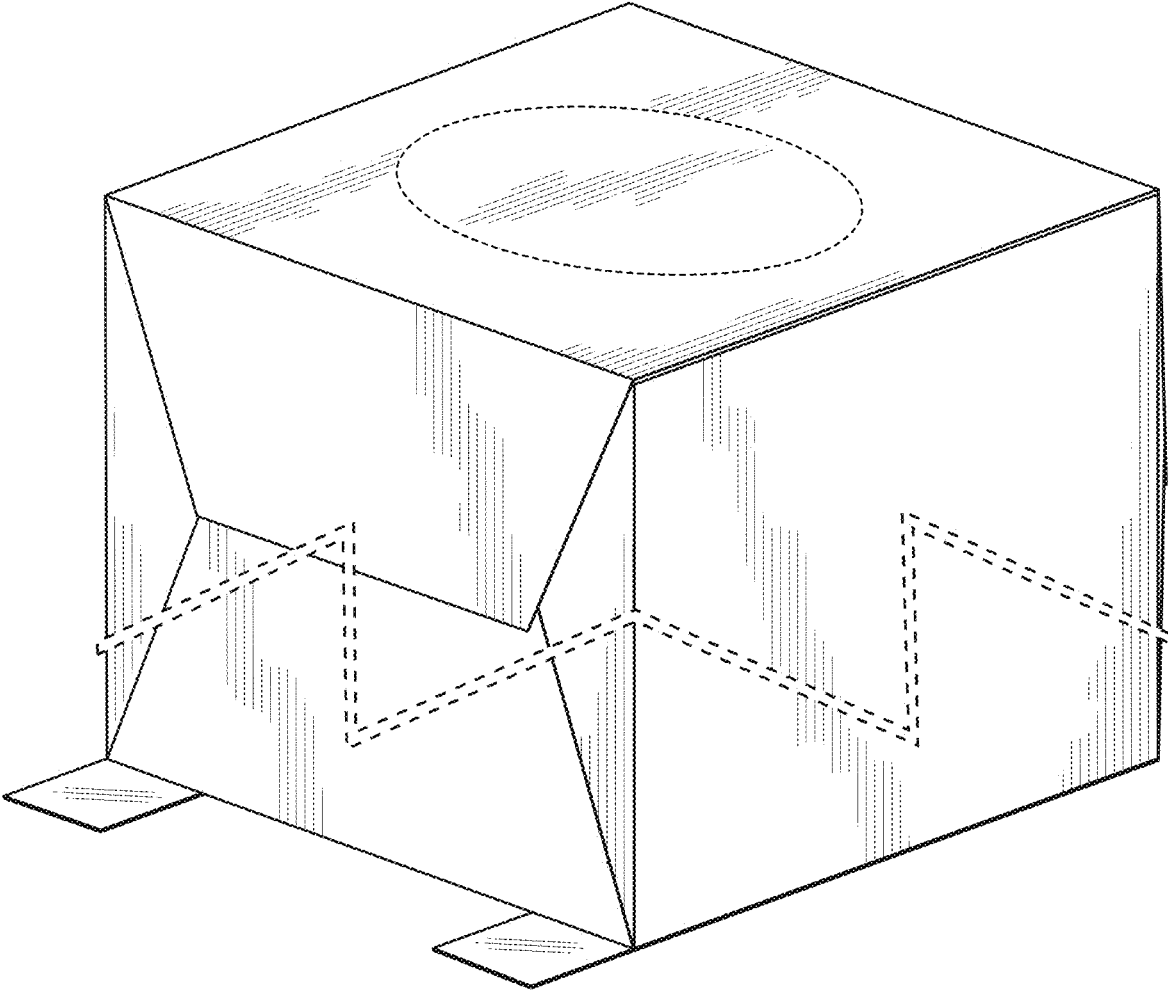


FIG. 8

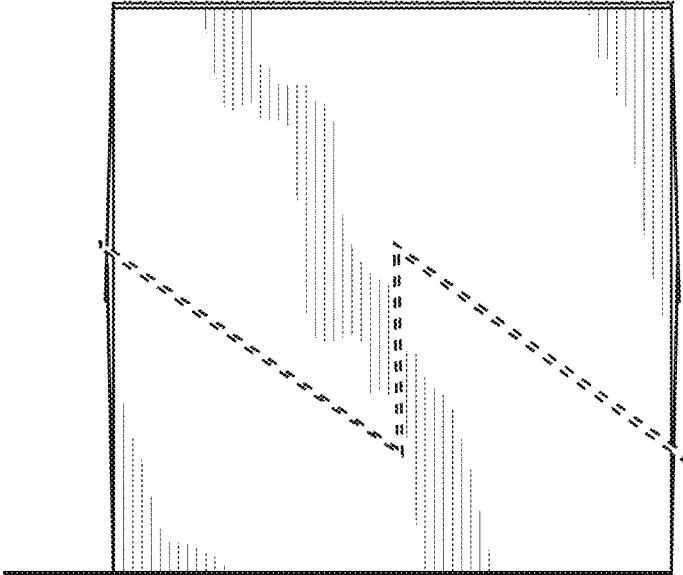


FIG. 9

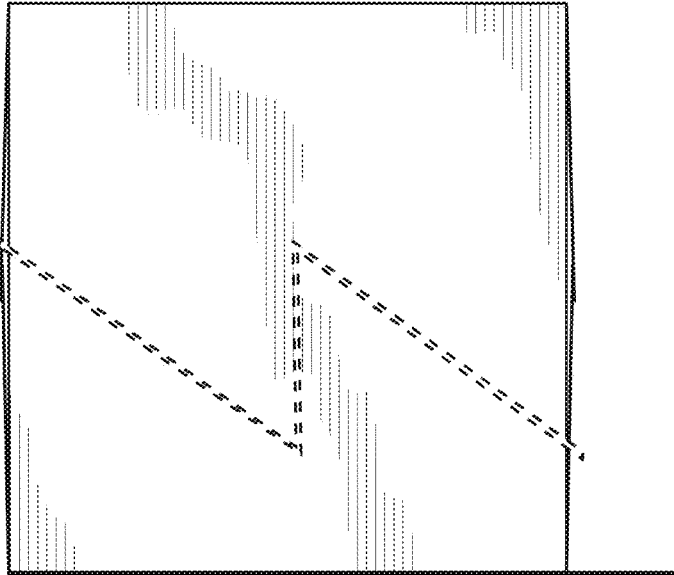


FIG. 10

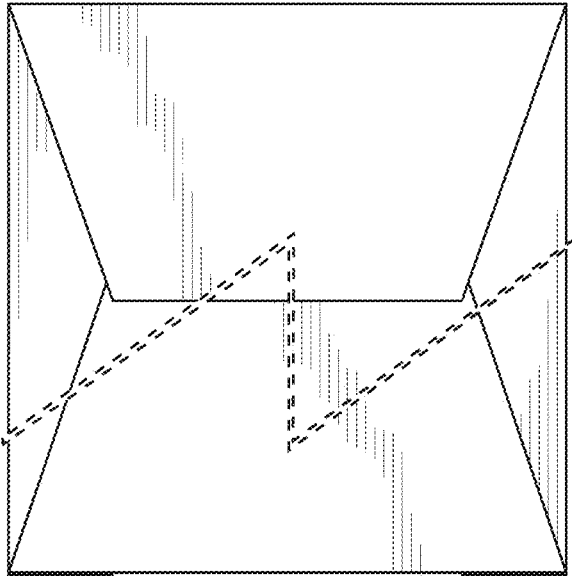


FIG. 11

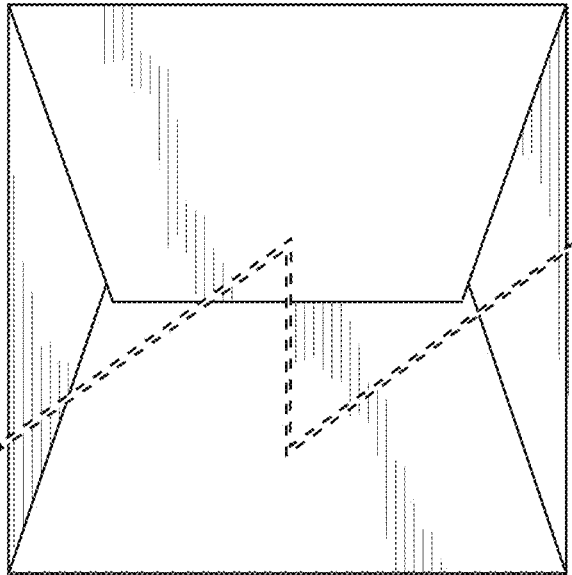


FIG. 12

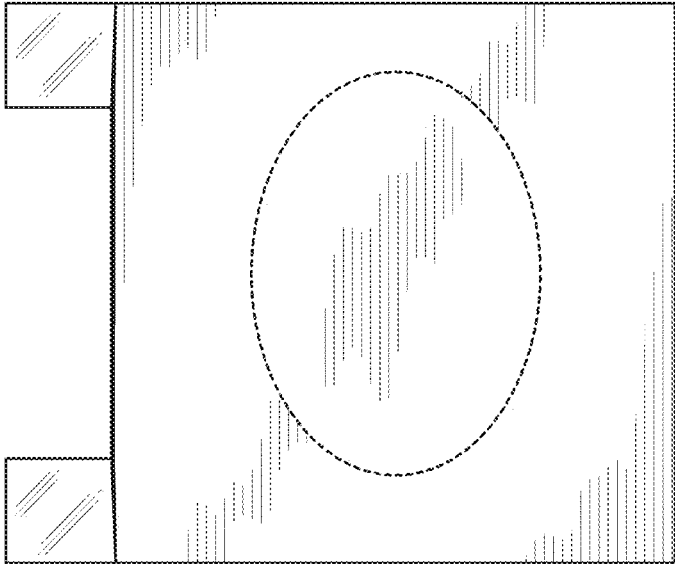


FIG. 13

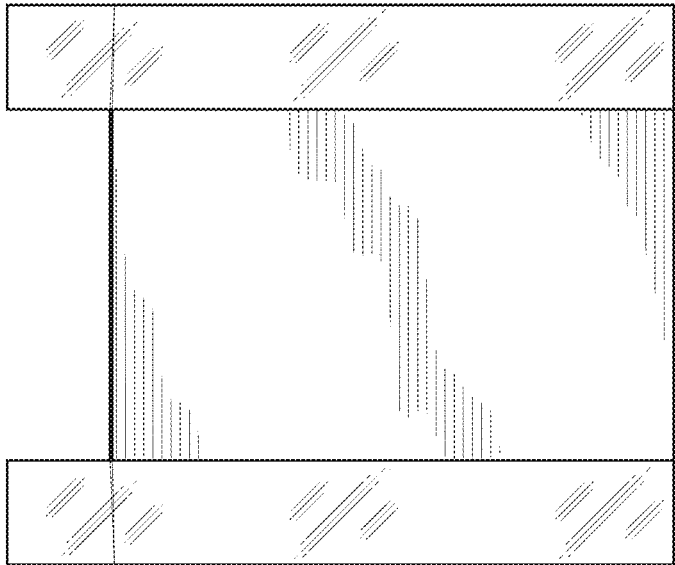


FIG. 14

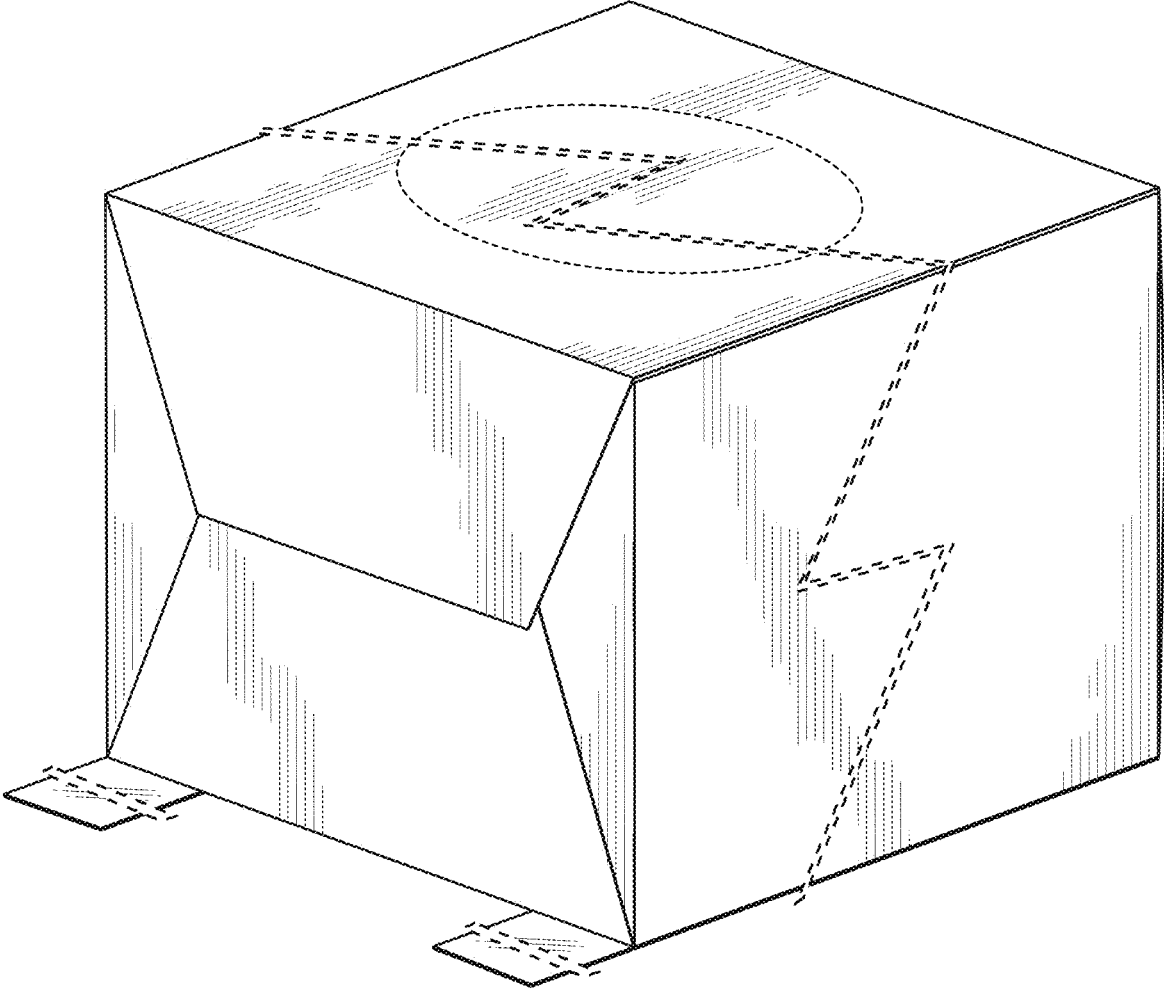


FIG. 15

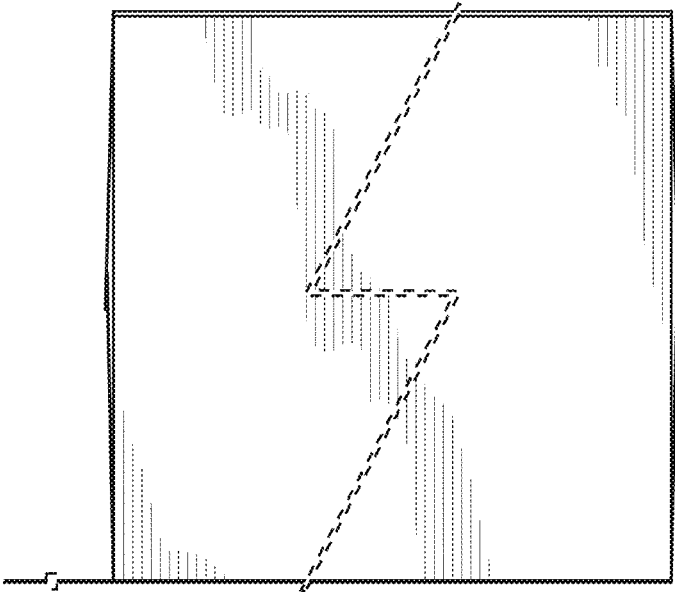


FIG. 16

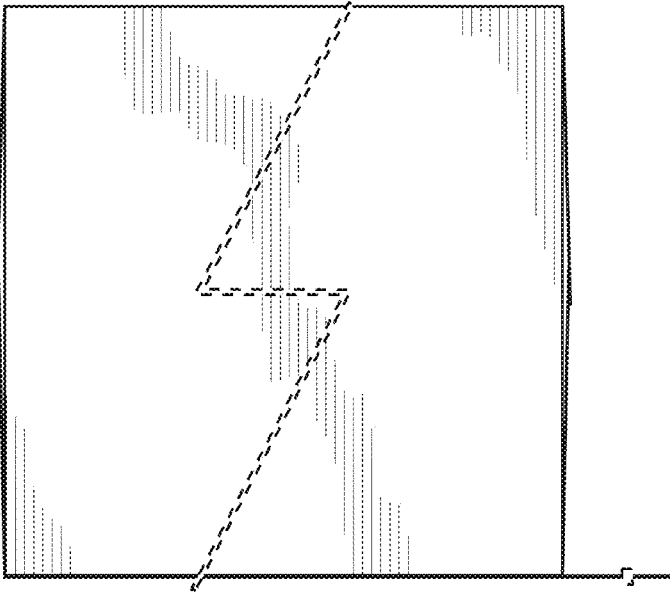


FIG. 17

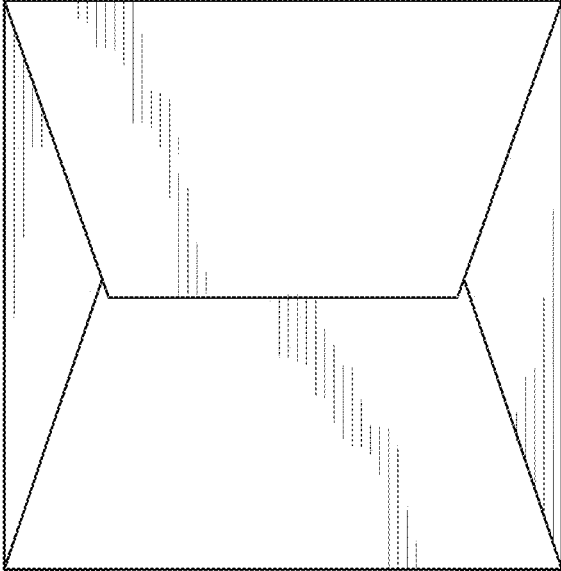


FIG. 18

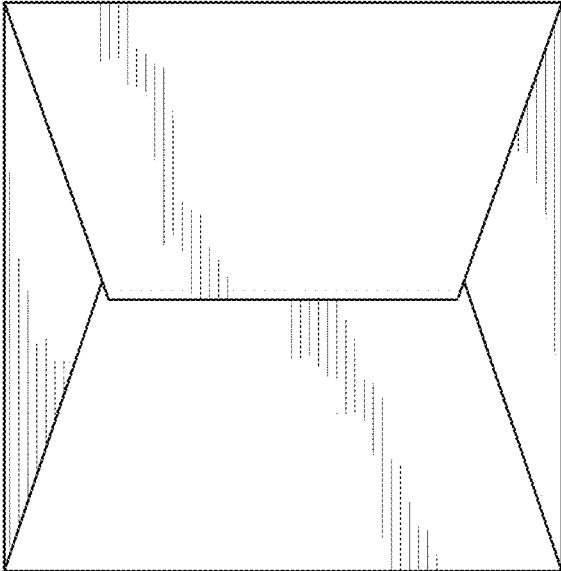


FIG. 19

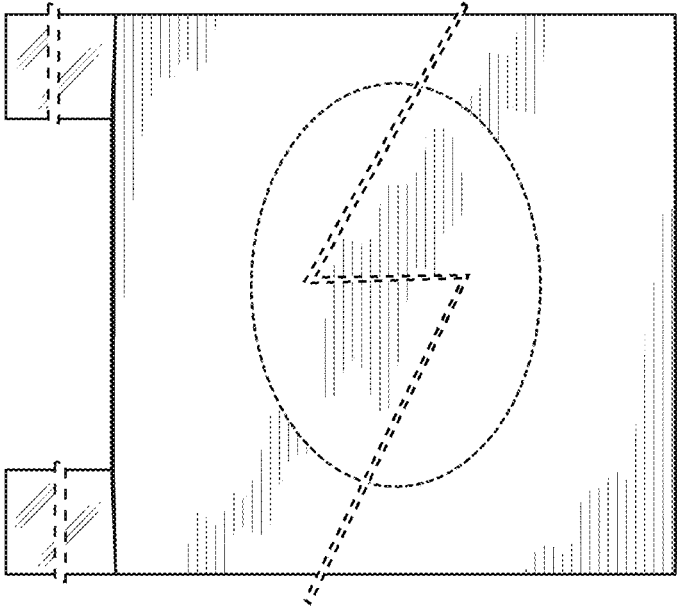


FIG. 20

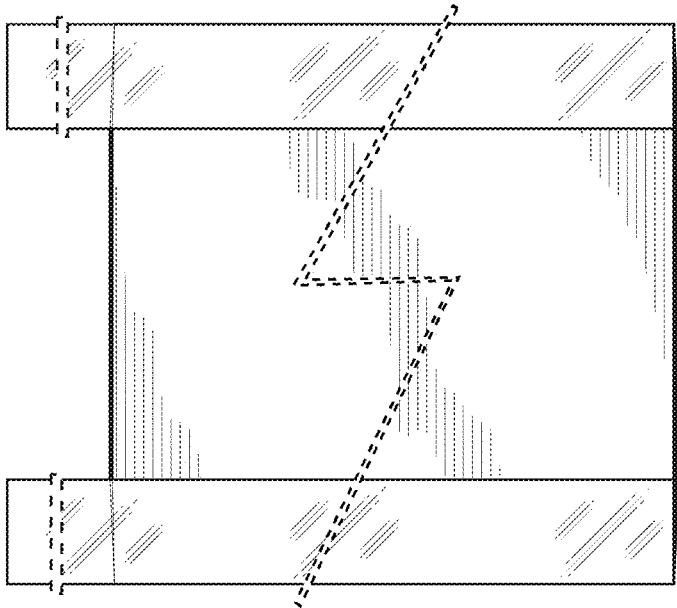


FIG. 21

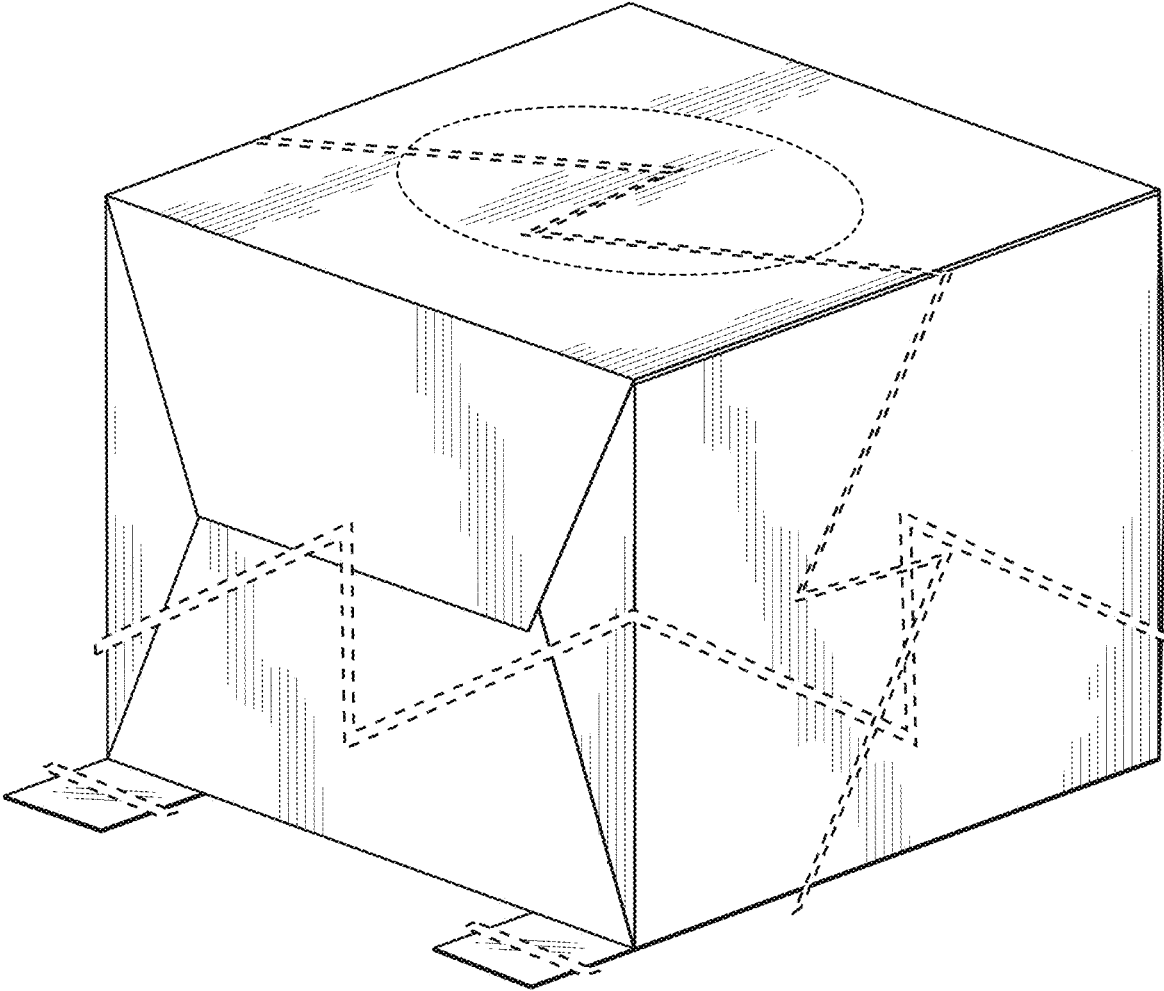


FIG. 22

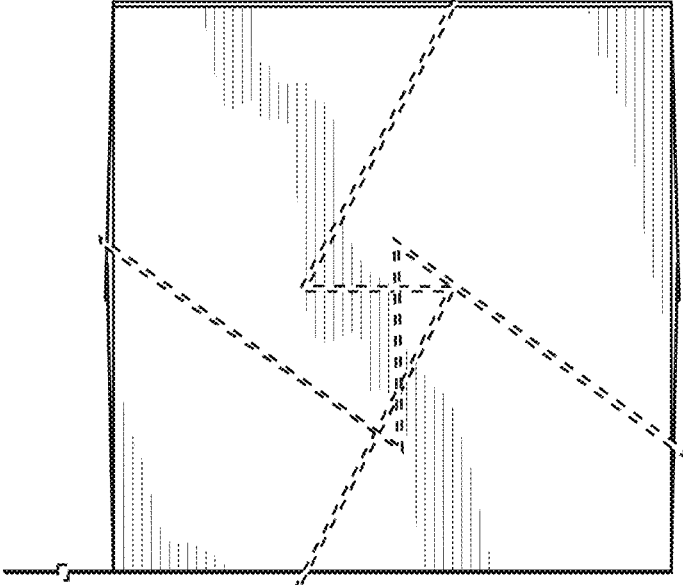


FIG. 23

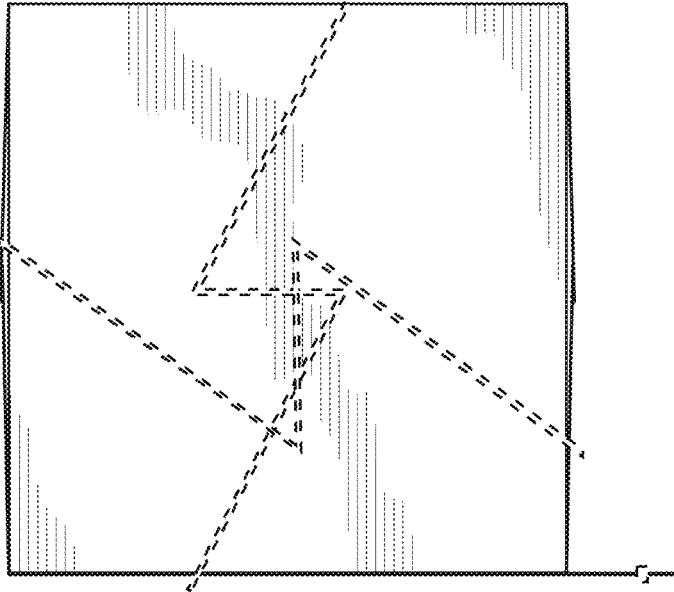


FIG. 24

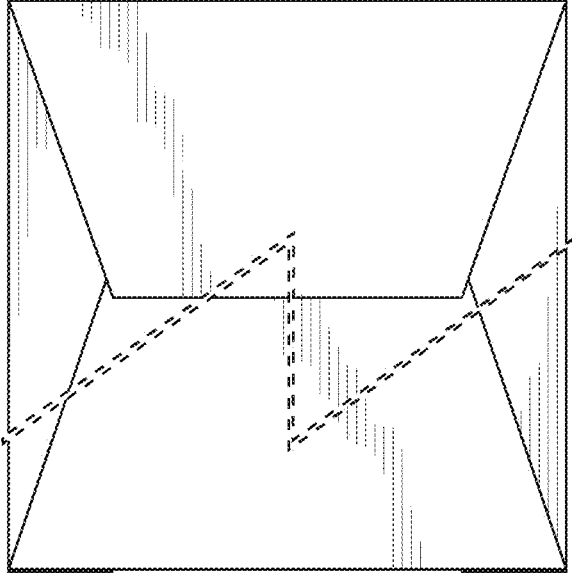


FIG. 25

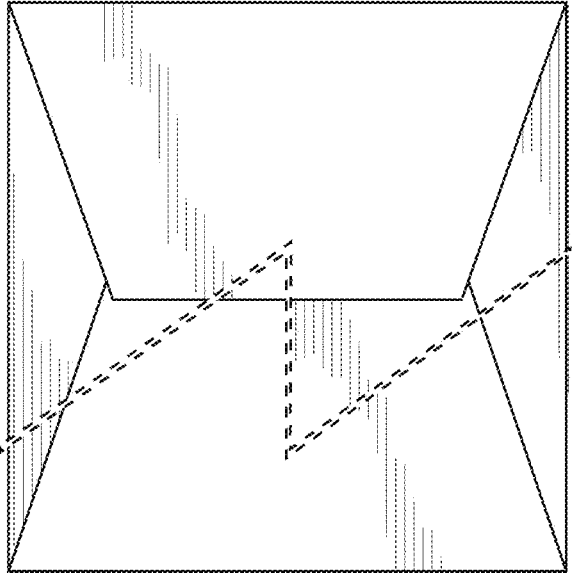


FIG. 26

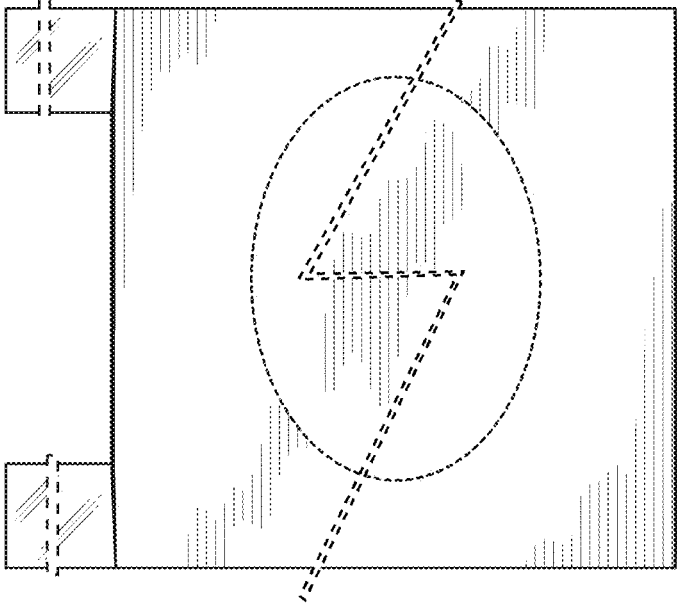


FIG. 27

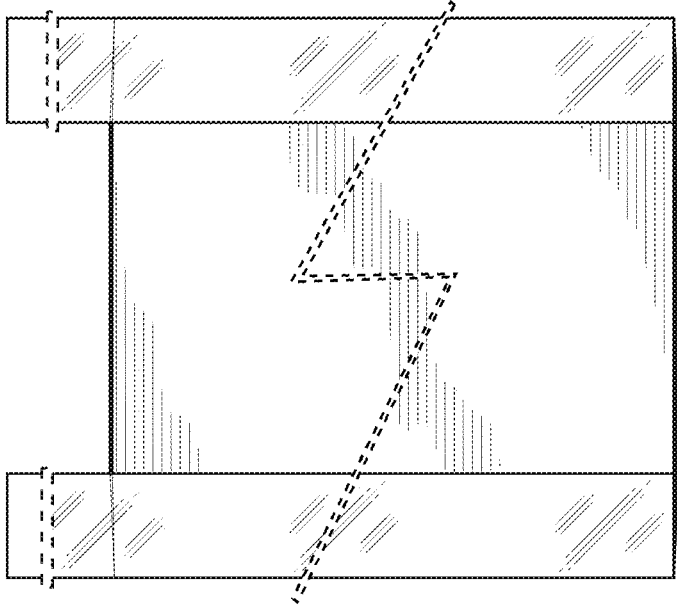


FIG. 28