



US0D1002758S

(12) **United States Design Patent**
Grendal

(10) **Patent No.:** **US D1,002,758 S**

(45) **Date of Patent:** **** Oct. 24, 2023**

(54) **MULTI-PURPOSE FIGHTER TRAINING DEVICE**

2002/0037759 A1* 3/2002 Aldridge A63B 71/12
463/1
2014/0378281 A1* 12/2014 Mazi A63B 24/0021
482/83

(71) Applicant: **Matthew Grendal**, La Jolla, CA (US)

* cited by examiner

(72) Inventor: **Matthew Grendal**, La Jolla, CA (US)

Primary Examiner — Khawaja Anwar
Assistant Examiner — Julice Seung Eun Oum

(**) Term: **15 Years**

(74) *Attorney, Agent, or Firm* — John K. Buche; Bryce A. Johnson; Buche & Associates, P.C.

(21) Appl. No.: **29/759,698**

(22) Filed: **Nov. 24, 2020**

(57) **CLAIM**

(51) **LOC (14) Cl.** **21-02**

The ornamental design for a multi-purpose fighter training device as shown and described.

(52) **U.S. Cl.**
USPC **D21/683**

DESCRIPTION

(58) **Field of Classification Search**
USPC D21/798, 692, 804, 654, 487, 679, 688,
D21/412, 400, 791, 725, 386, 694, 680, 683,
D21/690, 691, 686, 671, 673, 682, 685, 684,
D21/687, 693, 698, 771, 773, 774, 797, 753,
D21/756, 787, 807, 826, 662; D2/624, 625,
D2/627, 626, 640, 639; D29/100, 101.1,
D29/101.5, 101.2, 101.3, 101.4; D3/254,
D3/271.9, 221, 216, 201, 203.1
CPC A61F 5/028; A61F 13/148; A61F 5/03
See application file for complete search history.

FIG. 1 is a perspective view of a multi-purpose fighter training device;
FIG. 2 is a front view of the multi-purpose fighter training device;
FIG. 3 is a rear view of the multi-purpose fighter training device;
FIG. 4 is a left-side view of the multi-purpose fighter training device;
FIG. 5 is a right-side view of the multi-purpose fighter training device;
FIG. 6 is a top view of the multi-purpose fighter training device;
FIG. 7 is a bottom view of the multi-purpose fighter training device;
FIG. 8 is an exploded view of the multi-purpose fighter training device.
Broken lines illustrate environmental features and form no part of the claimed design.

(56) **References Cited**

U.S. PATENT DOCUMENTS

D409,376	S *	5/1999	Golenz et al.	D3/217
D706,534	S *	6/2014	Zwetzig	D3/217
D742,462	S *	11/2015	Cotto-Colon	D21/662
D781,049	S *	3/2017	Kemp et al.	D3/216
D922,149	S *	6/2021	Munie et al.	D3/216
D922,150	S *	6/2021	Munie et al.	D3/216

1 Claim, 4 Drawing Sheets

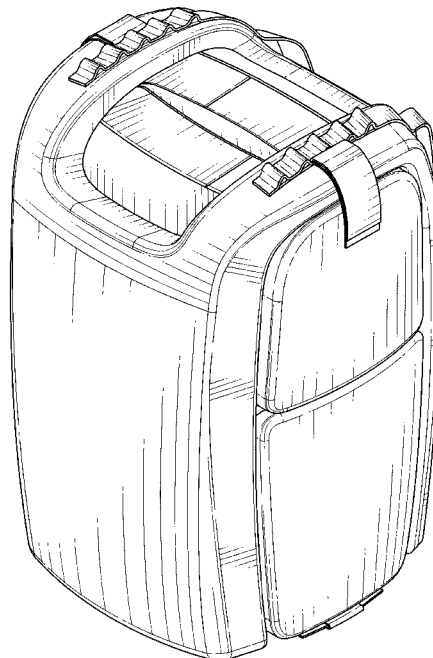




FIG. 1

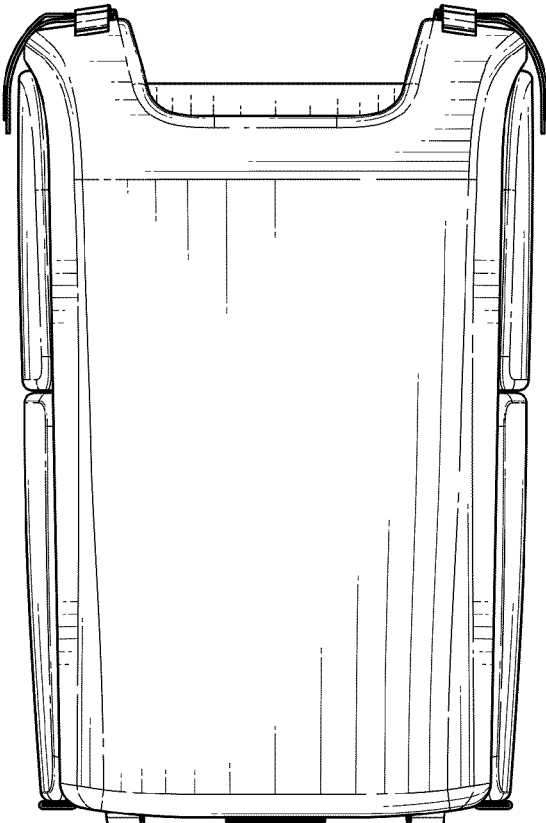


FIG. 2

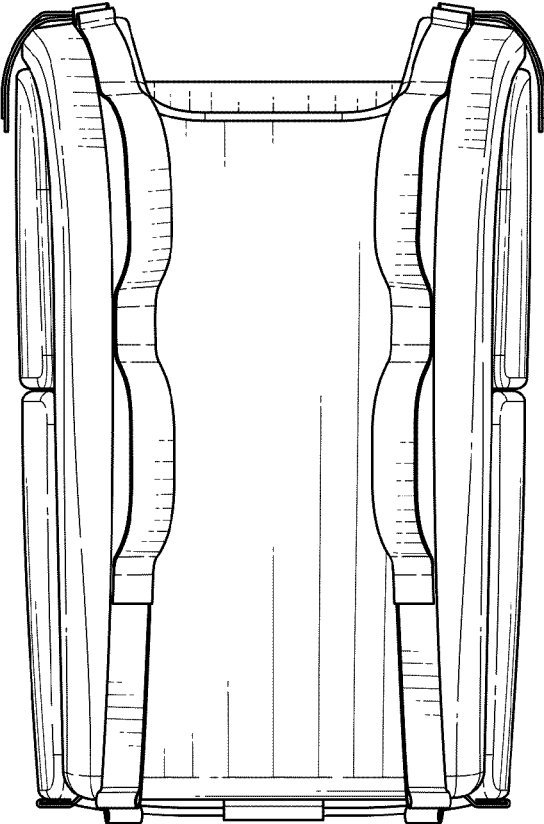


FIG. 3

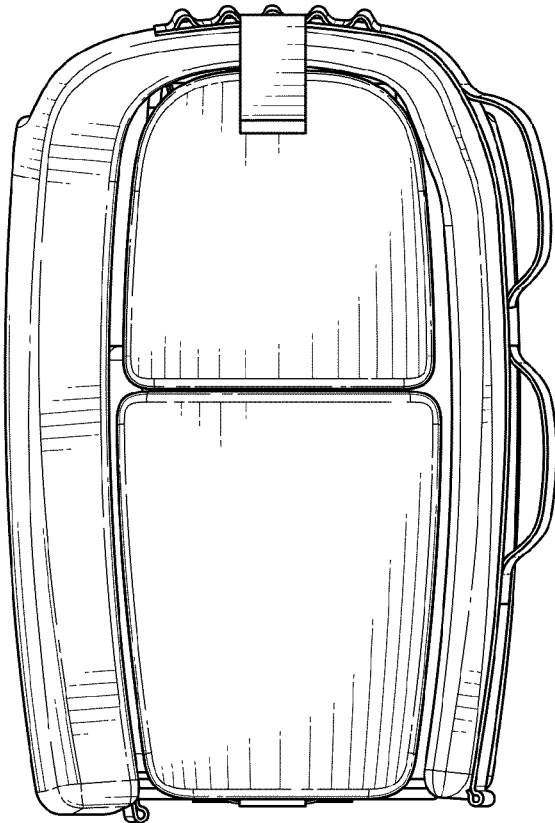


FIG. 5

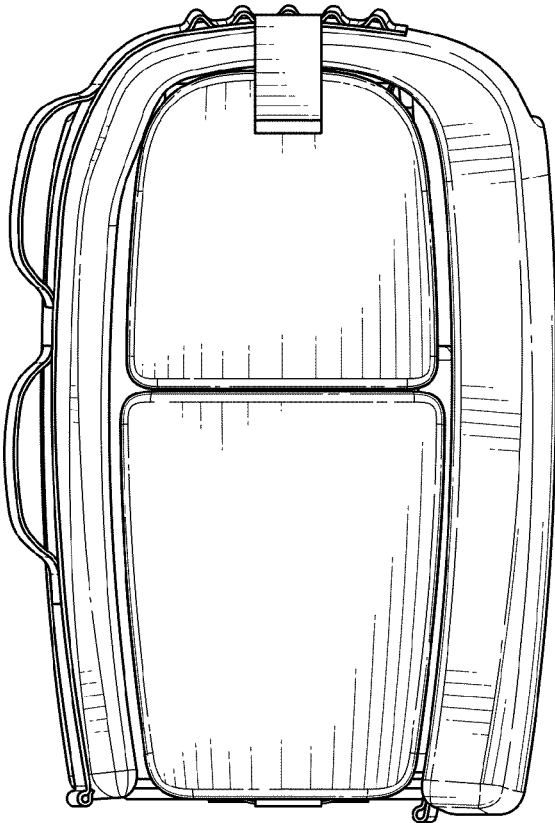


FIG. 4

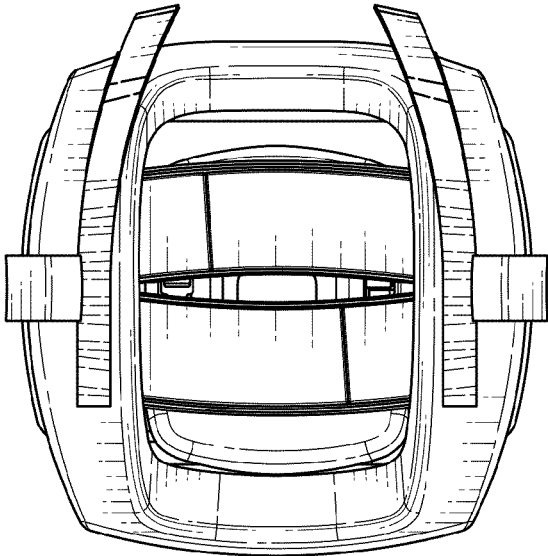


FIG. 6

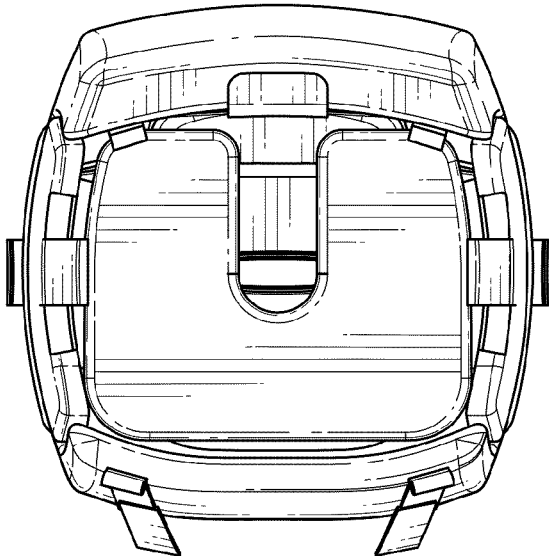


FIG. 7

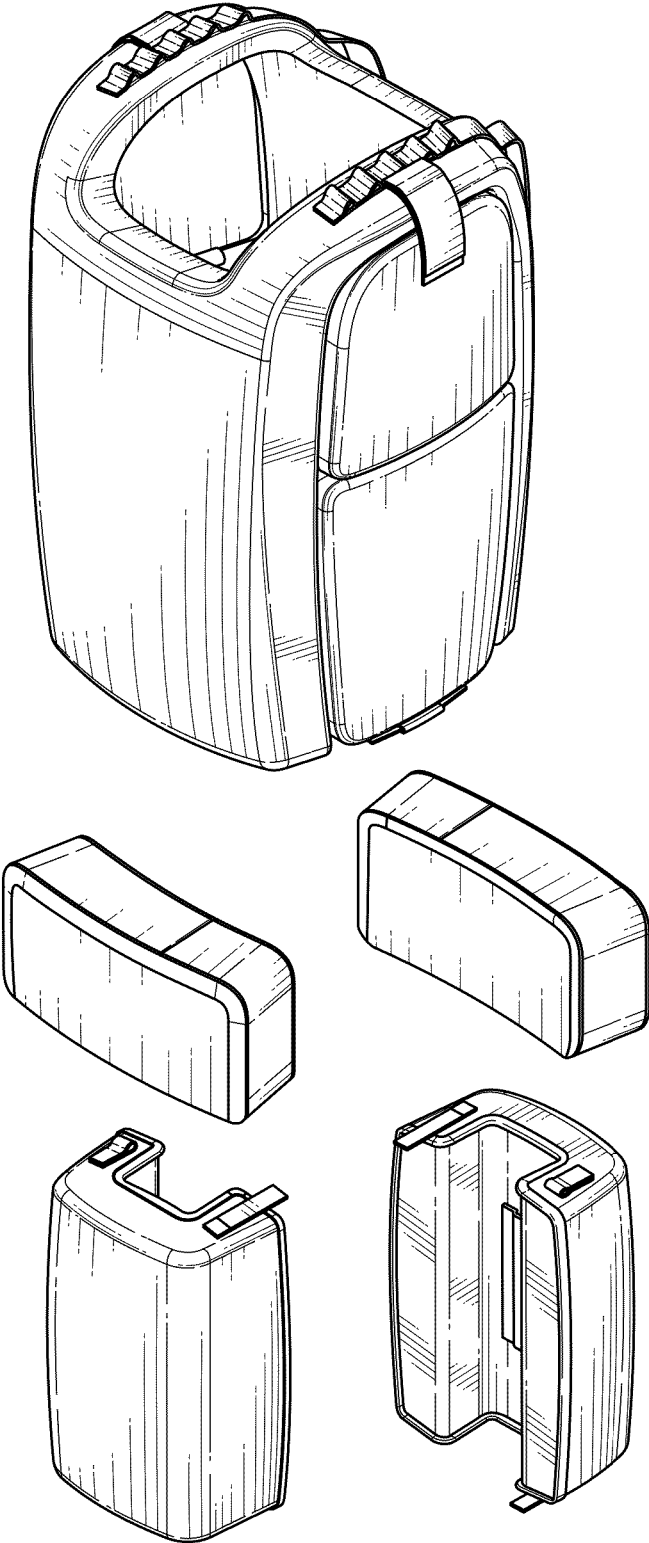


FIG. 8