



US0D1010428S

(12) **United States Design Patent**
Clancy

(10) **Patent No.:** **US D1,010,428 S**

(45) **Date of Patent:** **** Jan. 9, 2024**

- (54) **T-BLOCK PARTITION OR BARRIER MOUNT**
- (71) Applicant: **Dove Clancy**, Dulzura, CA (US)
- (72) Inventor: **Dove Clancy**, Dulzura, CA (US)
- (**) Term: **15 Years**
- (21) Appl. No.: **29/889,497**
- (22) Filed: **Apr. 13, 2023**

Related U.S. Application Data

- (62) Division of application No. 17/673,056, filed on Feb. 16, 2022.
- (51) **LOC (14) Cl.** **08-05**
- (52) **U.S. Cl.**
USPC **D8/354**
CPC **E04G 21/243** (2013.01)
- (58) **Field of Classification Search**
USPC D8/354, 382, 499
CPC ... E04G 21/241; E04G 21/242; E04G 21/243;
E04G 21/245; E04G 21/246; E04G
2021/248; E04G 21/26
See application file for complete search history.

(56) **References Cited**

U.S. PATENT DOCUMENTS

6,042,080	A	3/2000	Shepherd	
7,314,078	B2	1/2008	Melino, Jr.	
7,658,219	B2	2/2010	Whittemore	
8,662,464	B2	3/2014	Hand	
10,072,788	B2	9/2018	Chinn	
2010/0148028	A1	6/2010	Hand	
2010/0276090	A1	11/2010	Zagone	
2011/0005054	A1*	1/2011	Maurell F01D 25/285 29/428
2011/0089310	A1	4/2011	Heintz	
2014/0202611	A1*	7/2014	Schaaf B29D 99/001 156/60
2014/0263915	A1	9/2014	Bernacki	
2015/0036691	A1	12/2015	Peek	
2022/0178138	A1*	6/2022	Bickford E04B 2/721

FOREIGN PATENT DOCUMENTS

CN 217984934 U * 12/2022
 JP 2000120275 A * 4/2000 E04G 21/243
 * cited by examiner

Primary Examiner — Michael A. Pratt
(74) Attorney, Agent, or Firm — Buche & Associates,
 P.C.; John K. Buche; Bryce A. Johnson

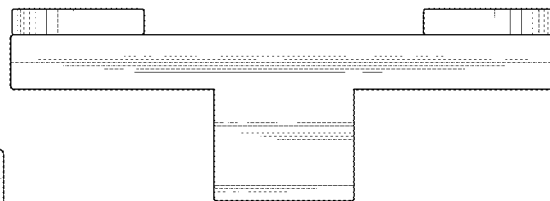
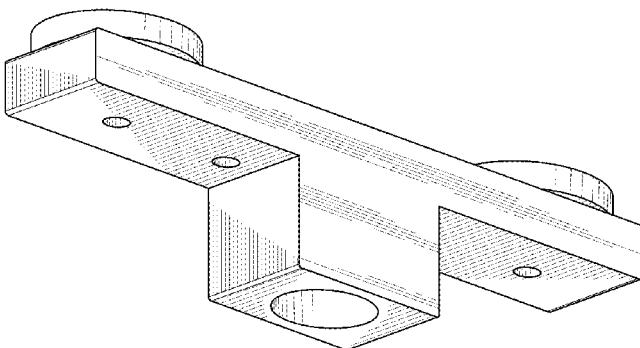
(57) **CLAIM**

I claim the ornamental design for a t-block partition or barrier mount, as shown and described.

DESCRIPTION

FIG. 1 is a perspective view of a t-block partition or barrier mount;
 FIG. 2 is a front view of the t-block partition or barrier mount of FIG. 1;
 FIG. 3 is a back view of the t-block partition or barrier mount of FIG. 1;
 FIG. 4 is a left side view of the t-block partition or barrier mount of FIG. 1;
 FIG. 5 is a right side view of the t-block partition or barrier mount of FIG. 1;
 FIG. 6 is a top view of the t-block partition or barrier mount of FIG. 1;
 FIG. 7 is a bottom view of the t-block partition or barrier mount of FIG. 1;
 FIG. 8 is an alternate perspective view of the t-block partition or barrier mount of FIG. 1;
 FIG. 9 is an environmental view of the t-block partition or barrier mount of FIG. 1; and,
 FIG. 10 is an alternate environmental view of the t-block partition or barrier mount of FIG. 1.
 The broken lines are shown for the purpose of illustrating environmental subject matter and form no part of the claimed design.

1 Claim, 7 Drawing Sheets



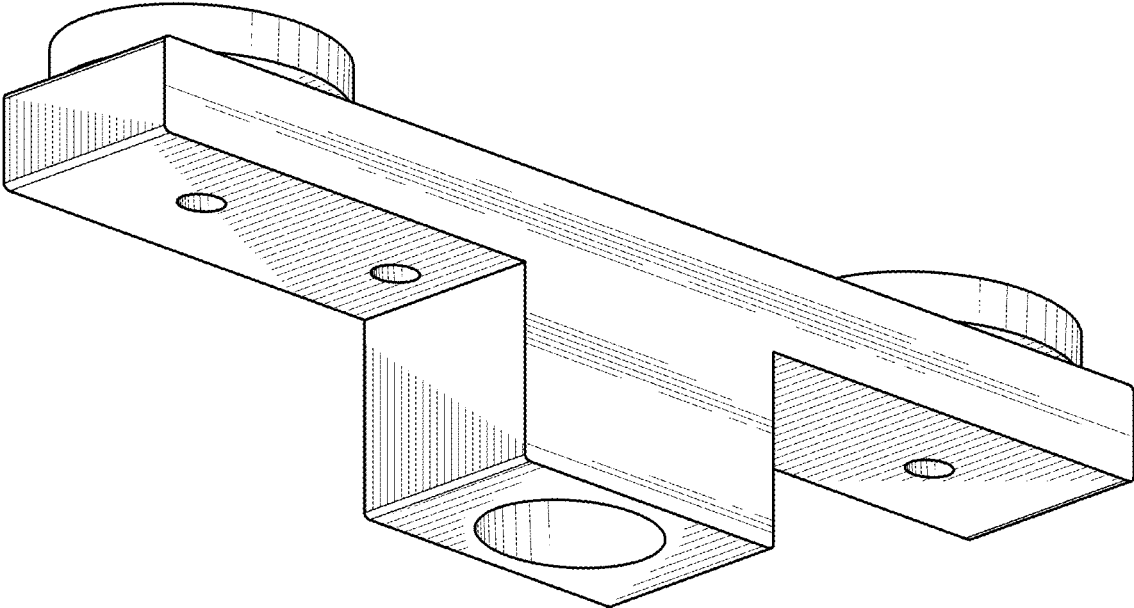


FIG. 1

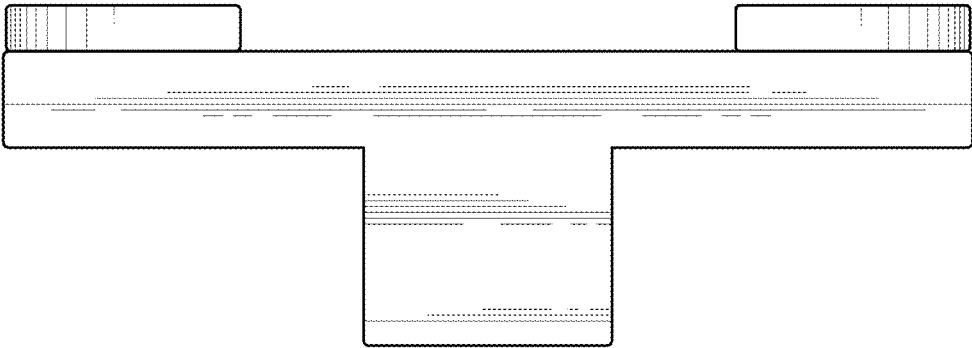


FIG. 2

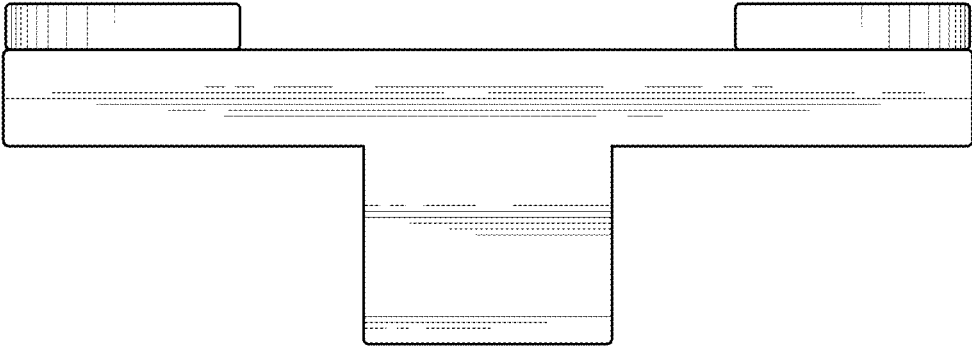


FIG. 3

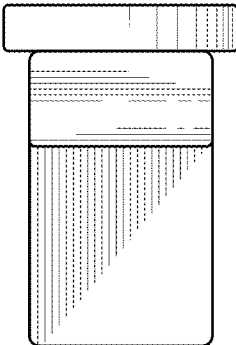


FIG. 4

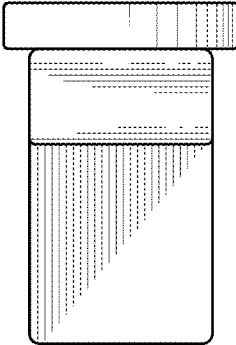


FIG. 5

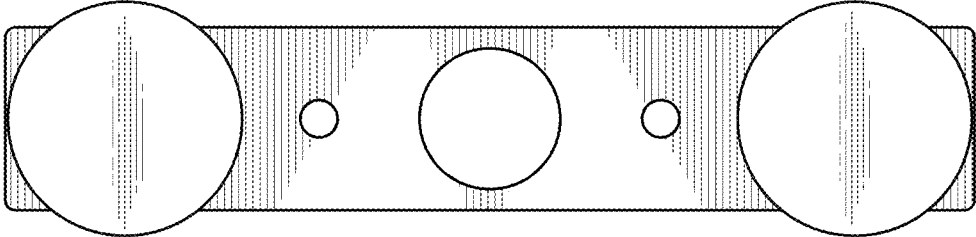


FIG. 6

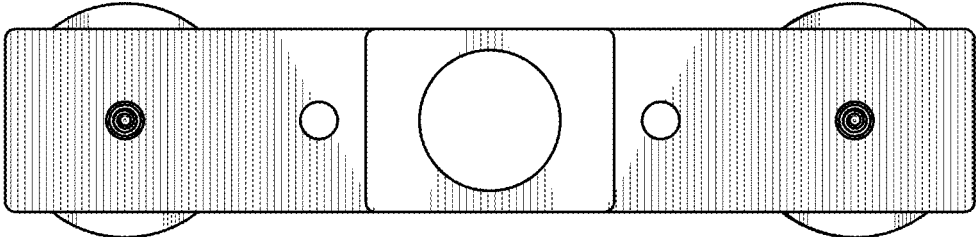


FIG. 7

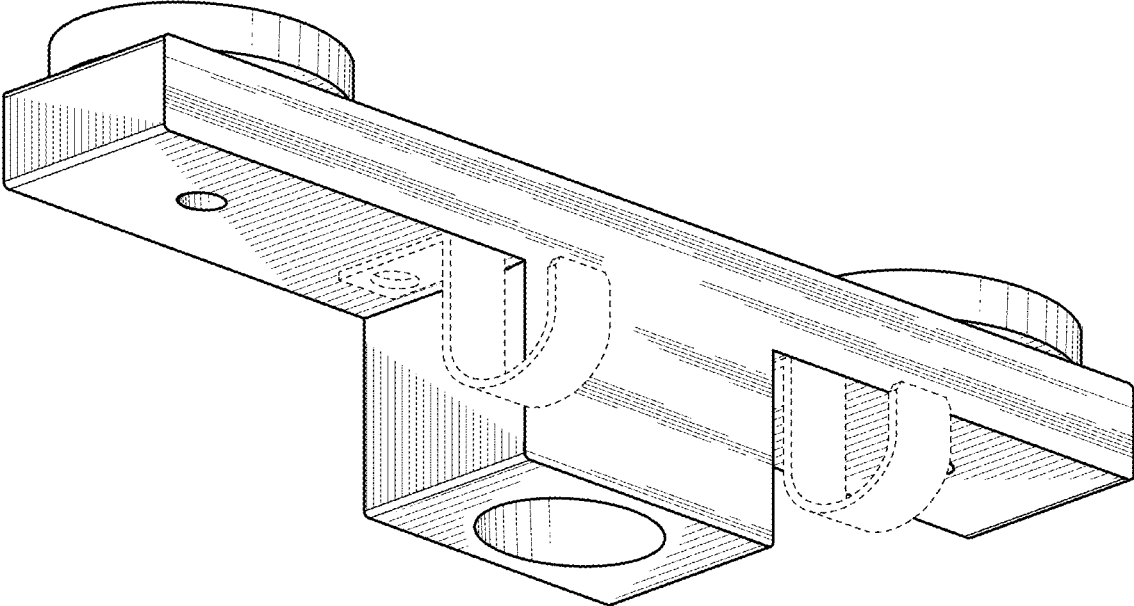


FIG. 8

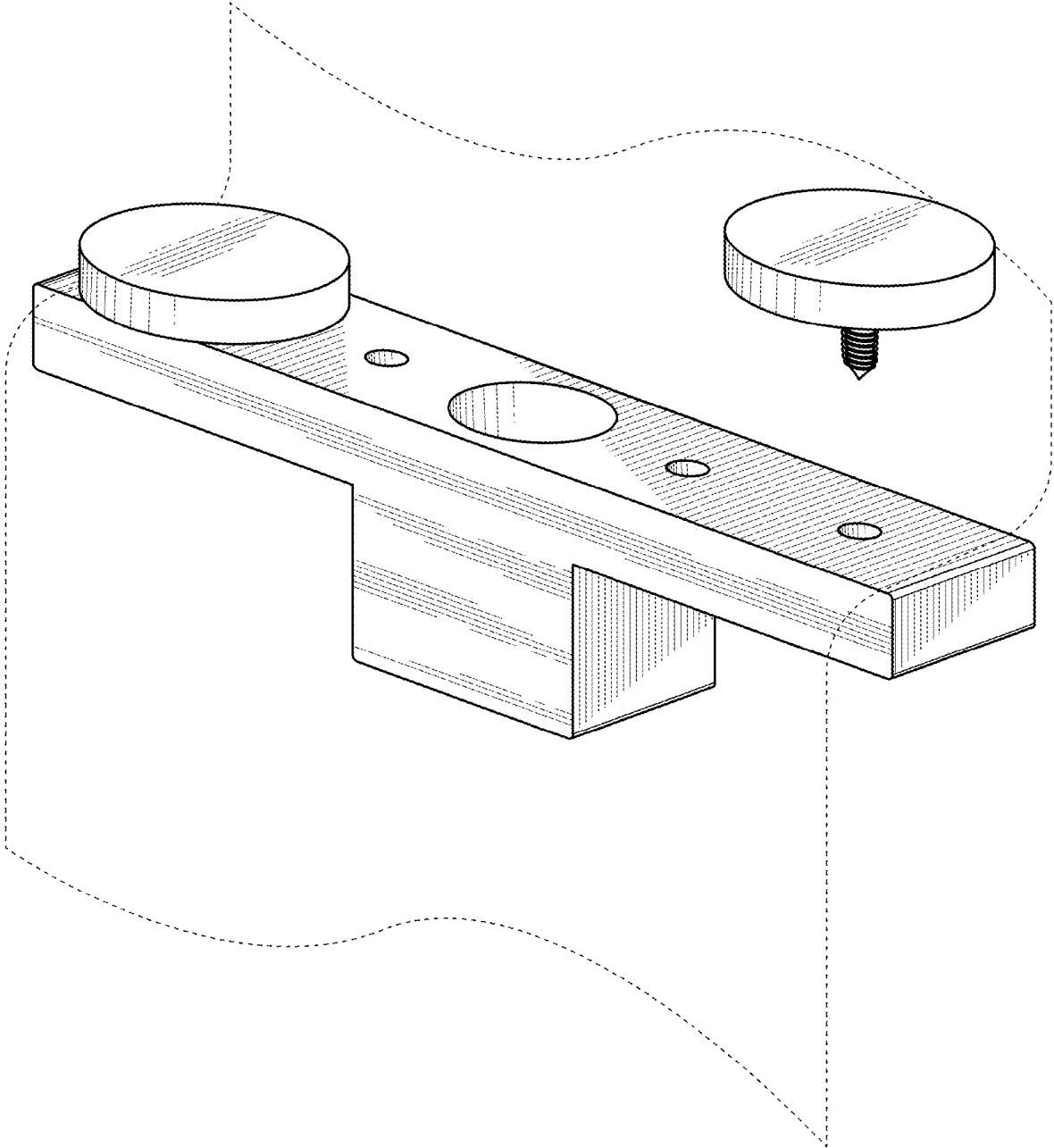


FIG. 9

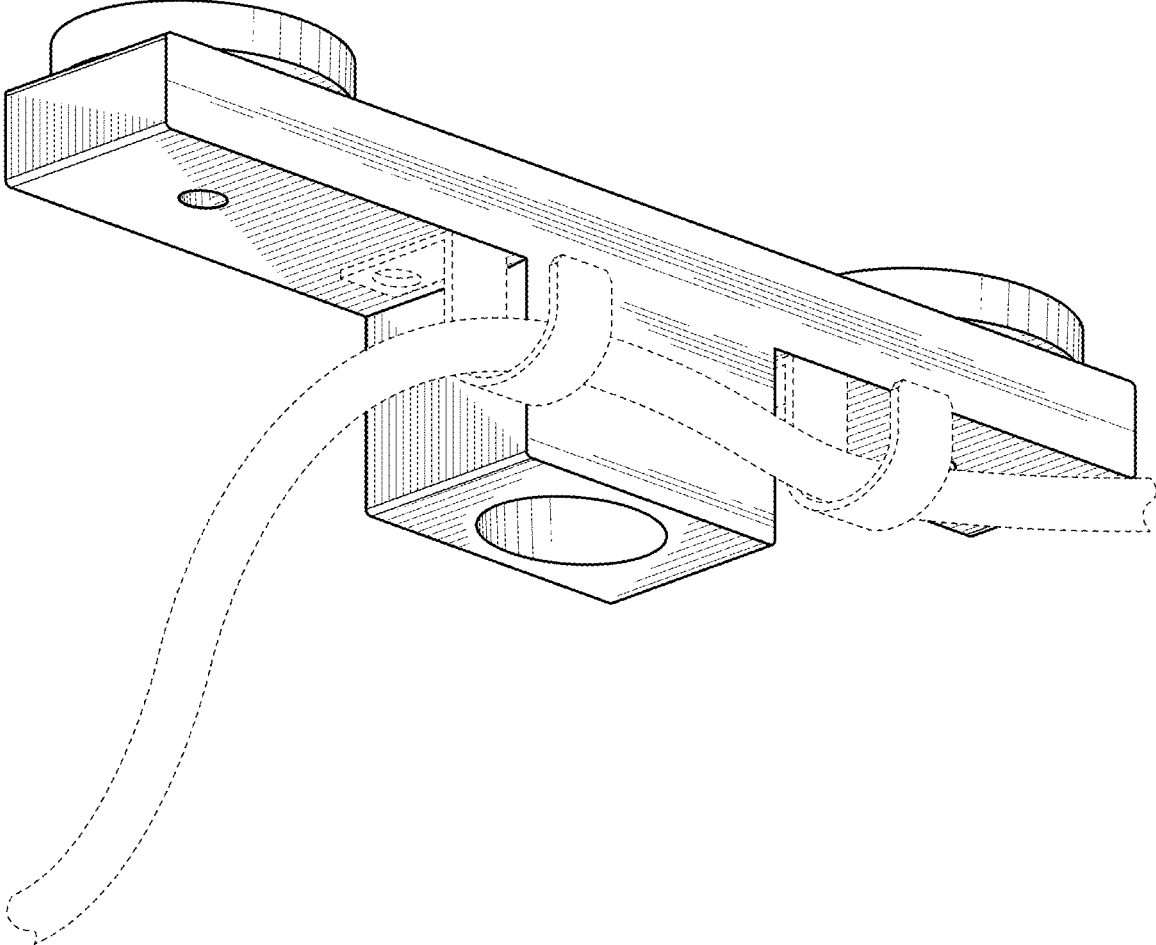


FIG. 10