



US0D1025807S

(12) **United States Design Patent**
Jones

(10) **Patent No.:** **US D1,025,807 S**

(45) **Date of Patent:** **** May 7, 2024**

(54) **BRACELET AND ANCHOR SET**

FOREIGN PATENT DOCUMENTS

(71) Applicant: **Jerrica Jones**, Marana, AZ (US)

CN 305634993 * 3/2020
CN 308047832 * 5/2023

(72) Inventor: **Jerrica Jones**, Marana, AZ (US)

OTHER PUBLICATIONS

(**) Term: **15 Years**

Anchor bracelet Nautical bracelet Beach bracelet ship bracelet boat bracelet sailing bracelet Etsy pp. 1-18 2023 <https://www.etsy.com/listing/451728700/anchor-bracelet-nautical-bracelet-beach?gpla=1&gao=1&> (Year: 2023).*

(21) Appl. No.: **29/770,497**

(22) Filed: **Feb. 12, 2021**

(51) **LOC (14) Cl.** **11-01**

* cited by examiner

(52) **U.S. Cl.**
USPC **D11/2**

Primary Examiner — Kevin K Rudzinski
Assistant Examiner — Evans David Delesline

(58) **Field of Classification Search**
USPC D11/1–6, 11–13
CPC A44C 5/00
See application file for complete search history.

(74) *Attorney, Agent, or Firm* — Buche & Associates, P.C.; Bryce A. Johnson; John K. Buche

(56) **References Cited**

(57) **CLAIM**

U.S. PATENT DOCUMENTS

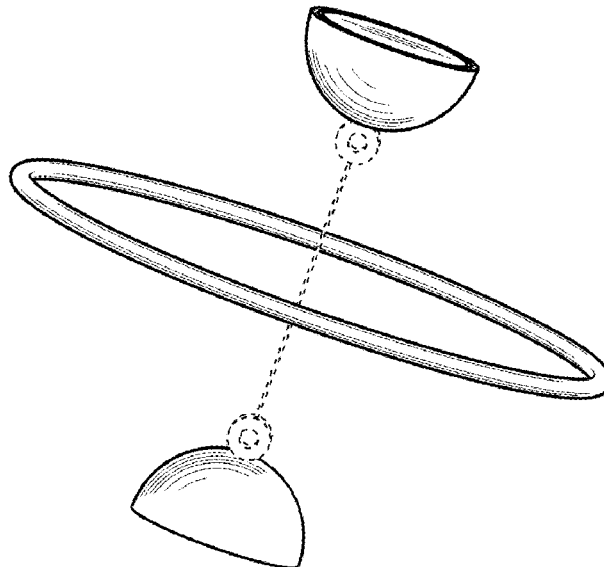
I claim the ornamental design for a bracelet and anchor set, as shown and described.

D72,602 S *	5/1927	Coyle	D28/77
D72,655 S *	5/1927	Frech	D28/77
1,731,370 A *	10/1929	Brecht	A44C 5/00
				224/172
2,125,267 A *	8/1938	Bekan	D04B 3/06
				242/146
D206,346 S *	11/1966	Steinman	D11/42
D426,170 S *	6/2000	Leighton	D11/3
D471,478 S *	3/2003	Waldman	D11/1
D471,481 S *	3/2003	Waldman	D11/1
D472,840 S *	4/2003	Visick	D11/3
D499,351 S *	12/2004	Hardy	D11/79
D525,553 S *	7/2006	Toupet	D11/5
D639,690 S *	6/2011	Zhu	D11/3
D683,350 S *	5/2013	Jarosinski	D14/480.5
D723,409 S *	3/2015	Theodore	D11/3
D754,020 S *	4/2016	Homer	D11/4
D872,606 S *	1/2020	Green	D11/1
D914,529 S *	3/2021	Green	D8/347
2006/0272137 A1 *	12/2006	Dandie	G09F 3/005
				40/640

DESCRIPTION

FIG. 1 is a perspective view of a bracelet and anchor set; FIG. 2 is a side view thereof; FIG. 3 is another side view thereof; FIG. 4 is a front view thereof; FIG. 5 is a back view thereof; FIG. 6 is a top view thereof; FIG. 7 is a bottom view thereof; FIG. 8 is an perspective view thereof, shown in a configuration of use; FIG. 9 is another perspective view thereof, shown in a configuration of use; and, FIG. 10 is another perspective view thereof, shown in a configuration of use. Broken lines illustrate environmental features and form no part of the claimed design.

1 Claim, 5 Drawing Sheets



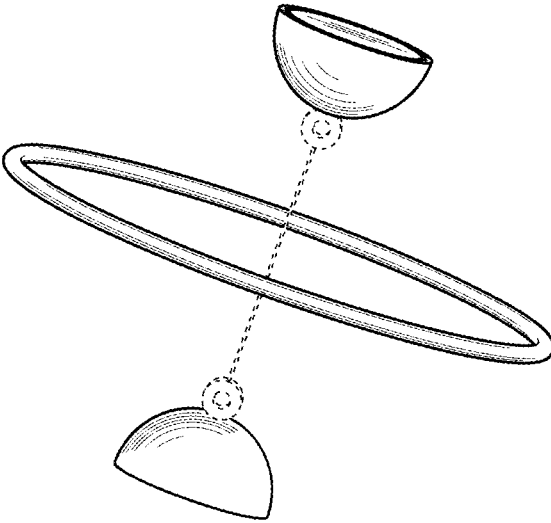


FIG. 1

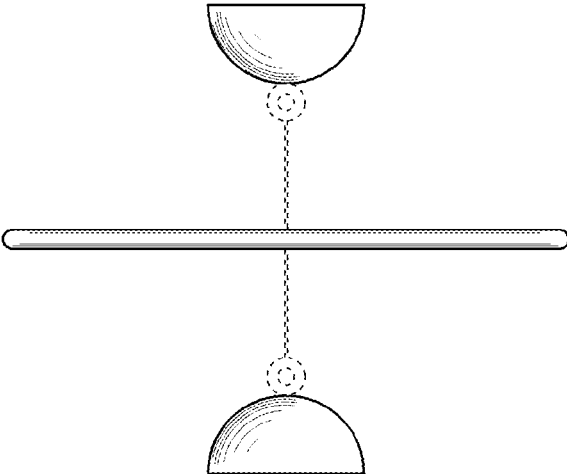


FIG. 2

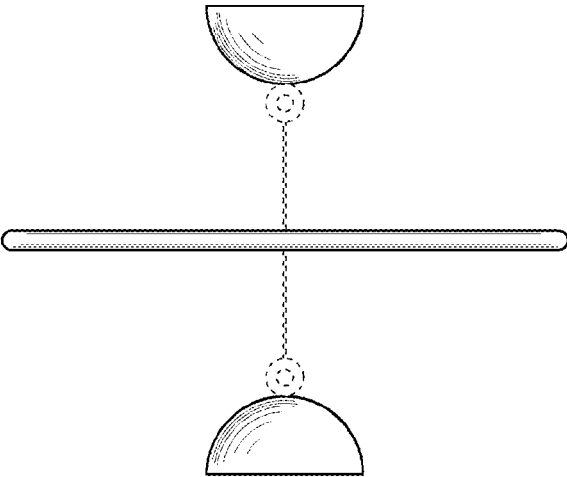


FIG. 3

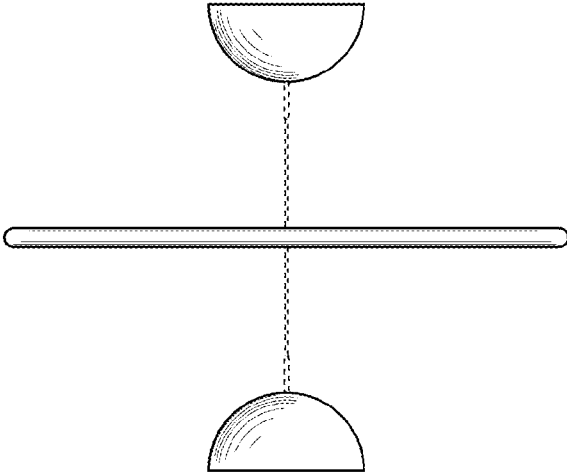


FIG. 4

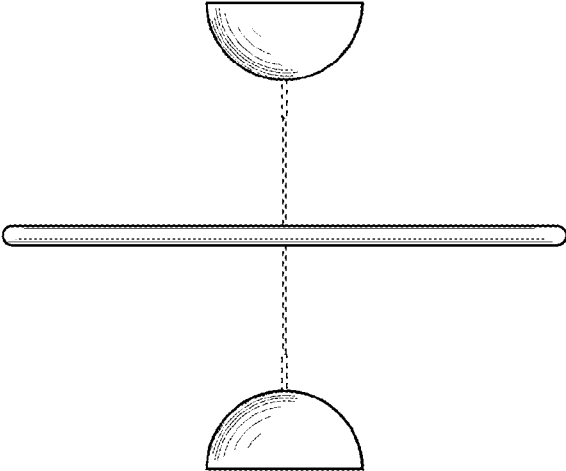


FIG. 5

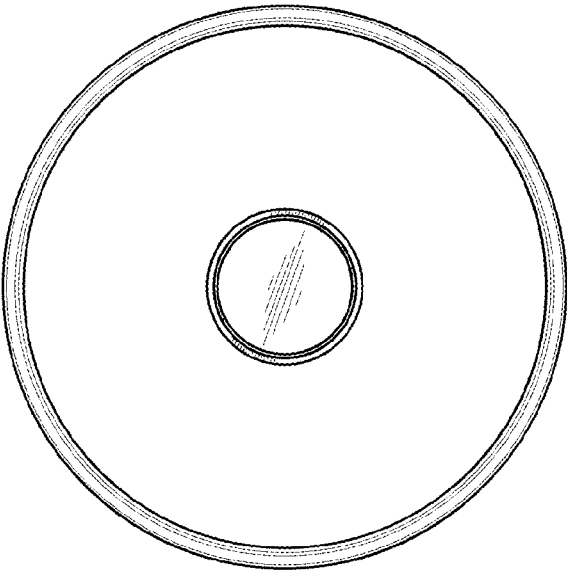


FIG. 6

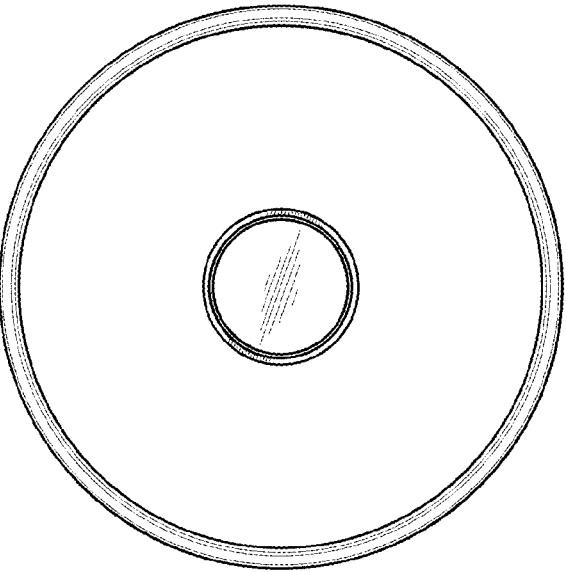


FIG. 7

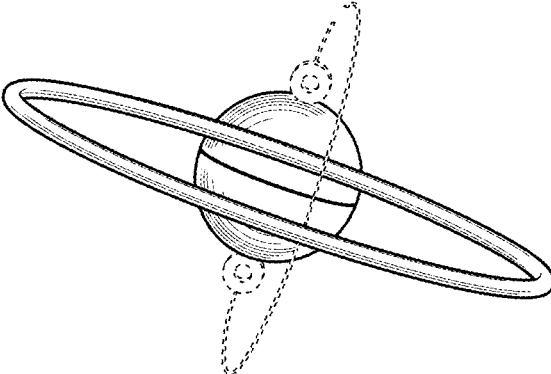


FIG. 8

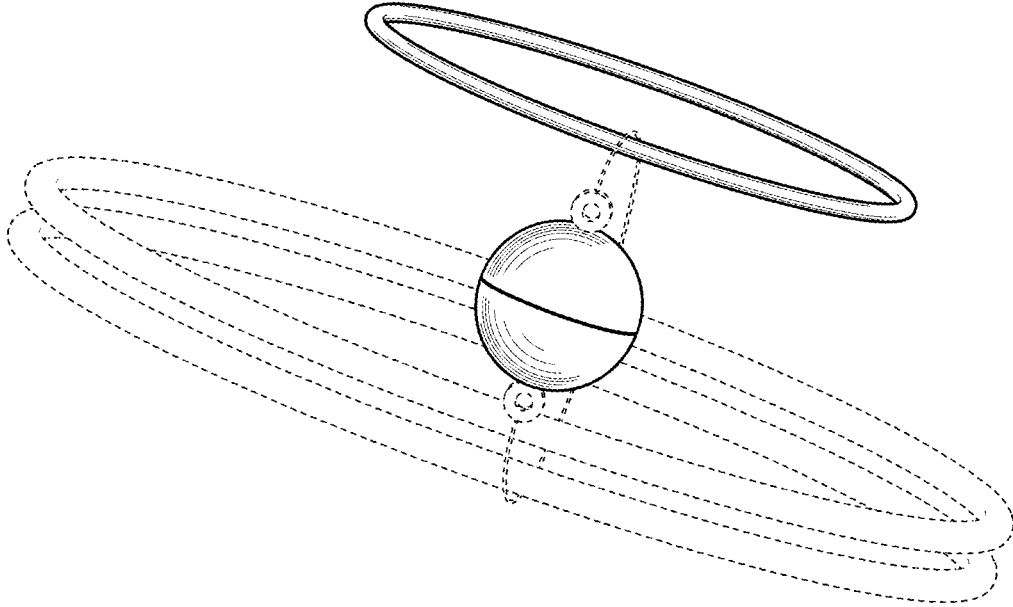


FIG. 9

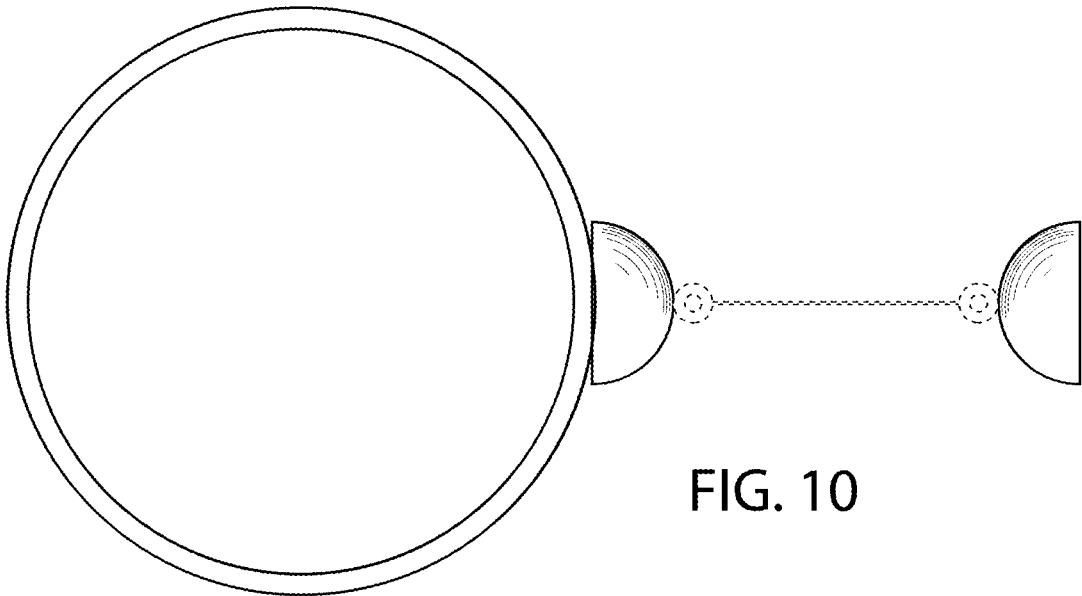


FIG. 10