



(12) **United States Design Patent**
Adair

(10) **Patent No.:** **US D1,029,494 S**
(45) **Date of Patent:** **** Jun. 4, 2024**

(54) **TOTE BAG**

OTHER PUBLICATIONS

(71) Applicant: **Adam Adair**, Batesville, AR (US)

Amazon.com, Site visited Mar. 11, 2024, Curmio Teacher Tote Bag, Date first available, Apr. 20, 2021, <https://www.amazon.com/CURMIO-Teacher-Women-Laptop-Compartment/dp/B092ZV53J9> (Year: 2021).*

(72) Inventor: **Adam Adair**, Batesville, AR (US)

Amazon.com, Site visited Mar. 11, 2024, Ticonn 12" Tool Bag, Date first available, Aug. 11, 2021, <https://www.amazon.com/dp/B09CD7YSR2?th=1> (Year: 2021).*

(**) Term: **15 Years**

Amazon.com, Site visited Mar. 11, 2024, Kaaltisy Tool Carrying Bag, Date first available, Apr. 18, 2023, <https://www.amazon.com/Carrying-Portable-Electrician-Contractor-Repairman/dp/B0C2TLM9M> (Year: 2023).*

(21) Appl. No.: **29/927,770**

Amazon.com, Site visited Mar. 11, 2024, Conehoy Tool Bag, Date first available, Oct. 23, 2023, <https://www.amazon.com/Waterproof-Capacity-Electrician-Carpenter-Multicolor/dp/B0CLLFSP26> (Year: 2023).*

(22) Filed: **Feb. 6, 2024**

(51) **LOC (14) Cl.** **03-01**

(52) **U.S. Cl.**

USPC **D3/246**

(58) **Field of Classification Search**

USPC D3/232, 233, 236, 238, 243, 244, 246,
D3/303, 304, 306, 201, 283, 289, 310

CPC .. A45C 13/02; A45C 3/06; A45C 3/00; A45C
7/00; A45C 5/06; A45C 3/001

See application file for complete search history.

* cited by examiner

Primary Examiner — Mitchell I. Siegel

Assistant Examiner — Jessica M Gebhart

(74) *Attorney, Agent, or Firm* — Buche & Associates,
P.C.; Bryce A. Johnson; John K. Buche

(56) **References Cited**

U.S. PATENT DOCUMENTS

D489,179 S	5/2004	Ho	
D552,353 S	10/2007	Fangman et al.	
D572,472 S	* 7/2008	Saconay-Duhart	D3/246
D630,844 S	* 1/2011	Wang	D3/232
D668,448 S	10/2012	Douglas	
D711,096 S	* 8/2014	Hanna	D3/232
D776,929 S	1/2017	Noh	
D784,010 S	* 4/2017	Dumas	D3/232
D785,325 S	* 5/2017	Samrelius	D3/246
D801,043 S	10/2017	Lucas	
D831,959 S	10/2018	Hollinger	
D832,571 S	* 11/2018	Franklin-Daisey	D3/201
D885,055 S	* 5/2020	Zhao	D3/310
D924,555 S	* 7/2021	Noh	D3/201
D925,222 S	* 7/2021	Barlier	D3/289
D961,265 S	8/2022	Zhu	
2007/0137960 A1	* 6/2007	Redzisz	A45C 13/02 190/111

FOREIGN PATENT DOCUMENTS

EM 015030112-0004 * 8/2023

(57) **CLAIM**

I claim the ornamental design for a “tote bag”, as shown and described.

DESCRIPTION

FIG. 1 is a perspective view of the tote bag;

FIG. 2 is a front view thereof;

FIG. 3 is a back view thereof;

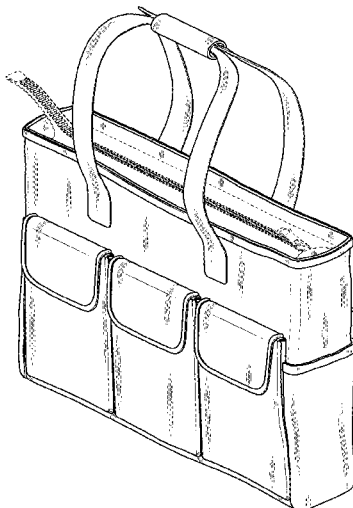
FIG. 4 is a left side view thereof;

FIG. 5 is a right side view thereof; and,

FIG. 6 is a top view thereof.

The broken lines in the drawings depicted portions of the tote bag that form no part of the claimed design.

1 Claim, 4 Drawing Sheets



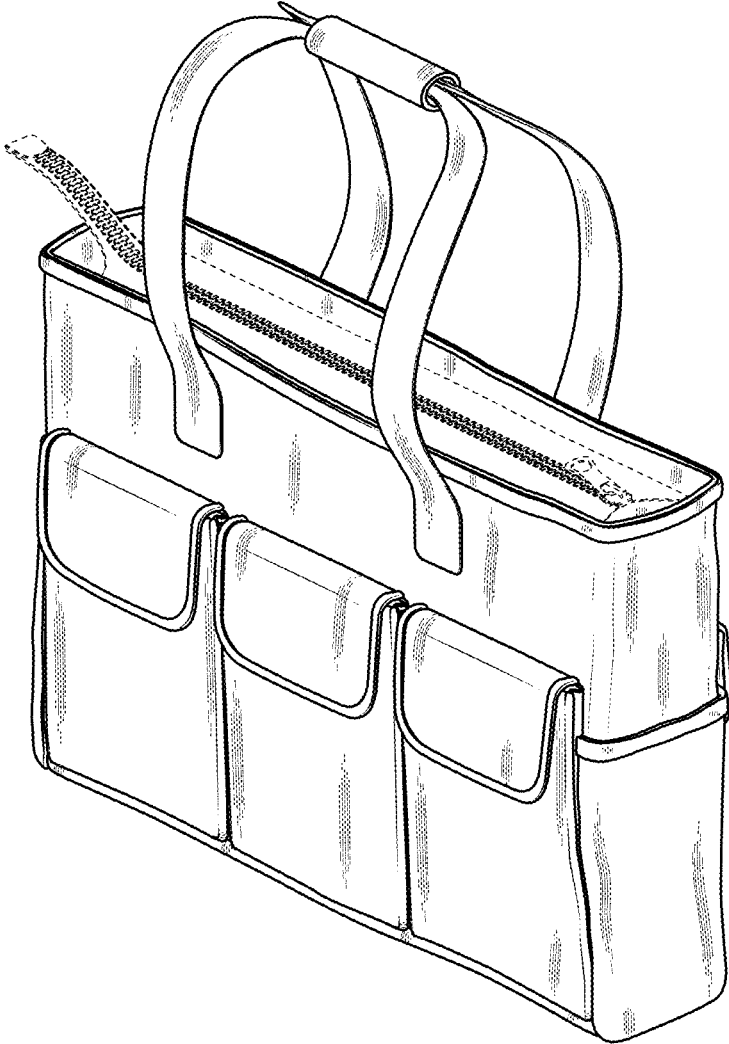


FIG. 1

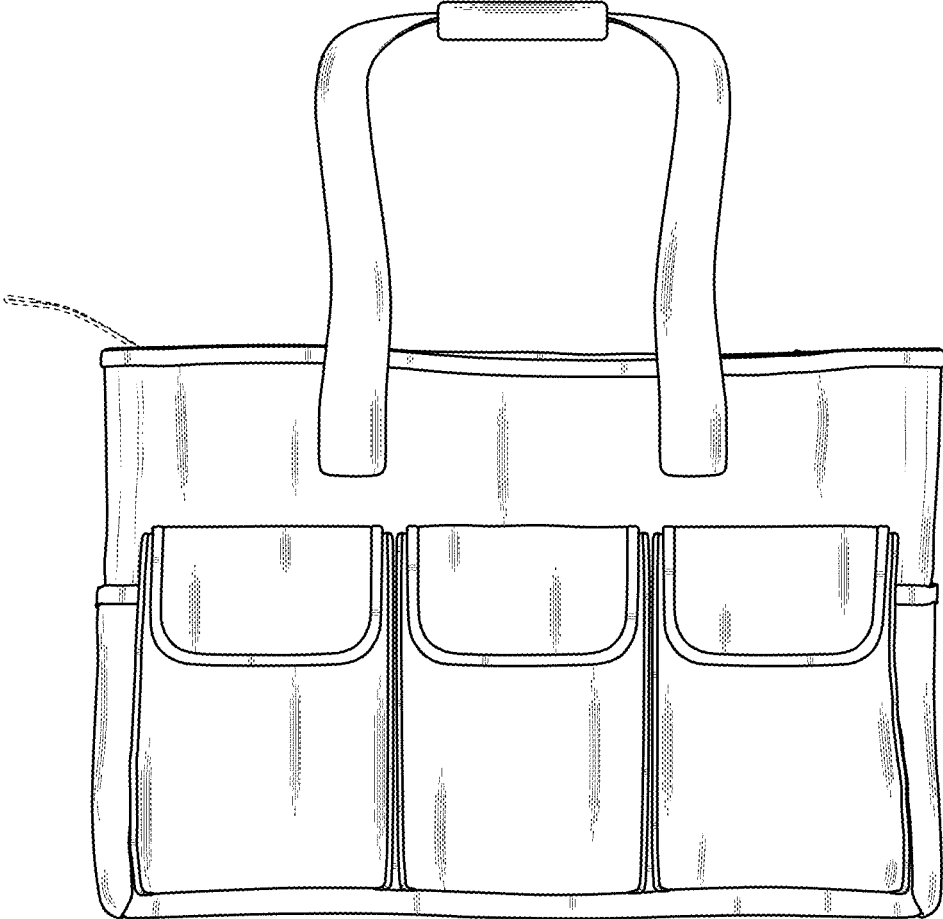


FIG. 2

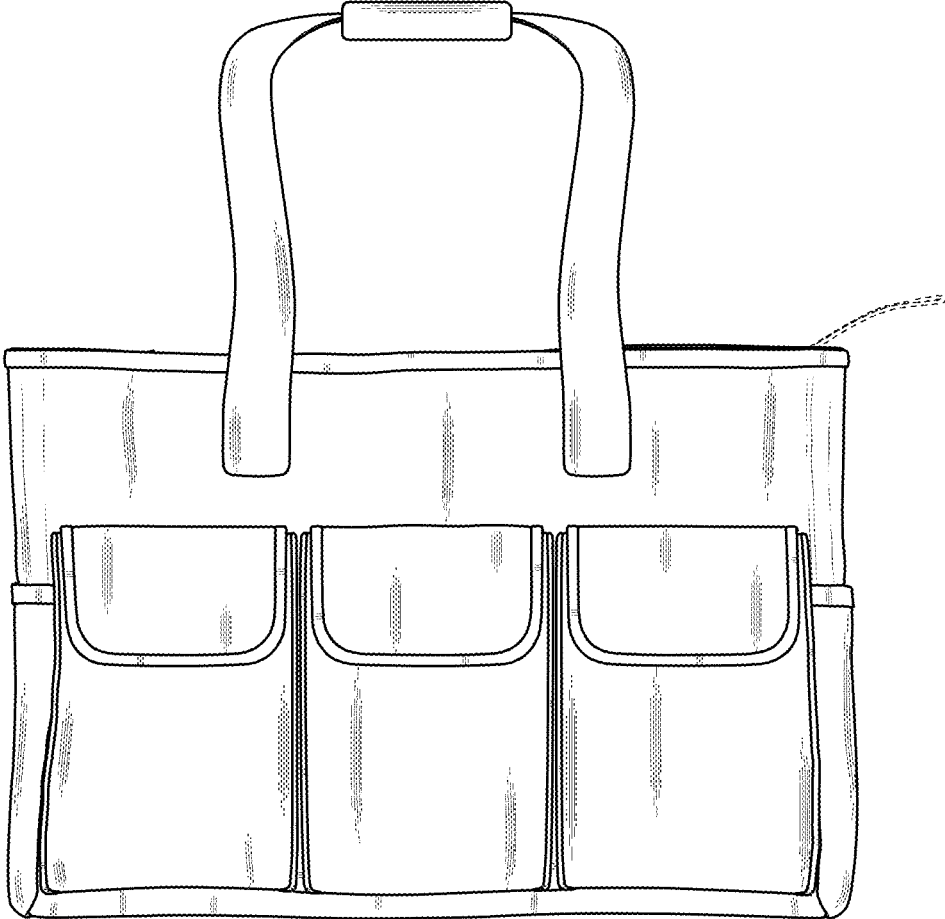


FIG. 3

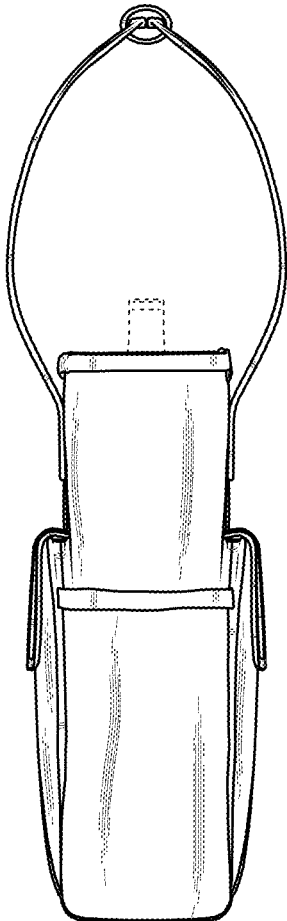


FIG. 4

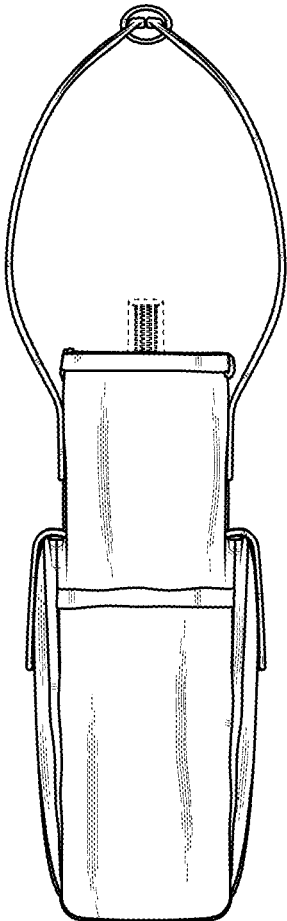


FIG. 5

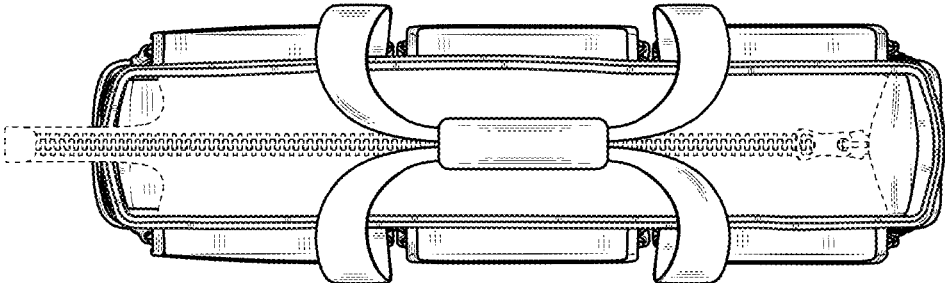


FIG. 6