



US00D990312S

(12) **United States Design Patent**  
**Tidwell et al.**

(10) **Patent No.:** **US D990,312 S**

(45) **Date of Patent:** **\*\* Jun. 27, 2023**

- (54) **CHILD-RESISTANT CONTAINER**
- (71) Applicant: **PWS Packaging Services, Inc.,** La Jolla, CA (US)
- (72) Inventors: **Justin Tidwell,** Brea, CA (US); **William Tidwell,** Brea, CA (US)
- (\*\*) Term: **15 Years**
- (21) Appl. No.: **29/767,510**
- (22) Filed: **Jan. 22, 2021**

D720,226 S \* 12/2014 Deyerl ..... D9/516  
 10,730,672 B2 \* 8/2020 Bertram ..... B65D 43/0231  
 D935,324 S \* 11/2021 Bodum ..... D9/520  
 (Continued)

**OTHER PUBLICATIONS**

Cool Jarz. 8oz (60 Dram) Child Resistant Container—750 Qty. No date specified. <https://cooljarz.com/products/60-dram-86-series-child-resistant-tamper-evident-opaque-jars> (Year: 0).  
 (Continued)

*Primary Examiner* — Darcey E Gottschalk  
 (74) *Attorney, Agent, or Firm* — Buche & Associates, P.C.; John K. Buche; Bryce A. Johnson

(57) **CLAIM**

We claim the ornamental design for a child-resistant container, as shown and described.

**DESCRIPTION**

FIG. 1 is an exploded top perspective view of a child-resistant container;  
 FIG. 2 is a bottom perspective view of the child-resistant container of FIG. 1;  
 FIG. 3 is a front view of the child-resistant container of FIG. 1;  
 FIG. 4 is a back view of the child-resistant container of FIG. 1;  
 FIG. 5 is a side view of the child-resistant container of FIG. 1; and,  
 FIG. 6 is a side view of the child-resistant container of FIG. 1.

Broken lines depict portions of the child-resistant container and form no part of the claimed design; specifically, the evenly-spaced broken lines depict unclaimed portions of the child-resistant container. Further, the child-resistant container is shown with a symbolic break, shown via dash-dot-dash lines, in its midsection. The appearance of any portion of the article between the break lines forms no part of the claimed design.

**1 Claim, 4 Drawing Sheets**

**Related U.S. Application Data**

(63) Continuation-in-part of application No. 29/732,125, filed on Apr. 21, 2020, which is a continuation-in-part of application No. 16/847,863, filed on Apr. 14, 2020.

(51) **LOC (14) Cl.** ..... **09-07**  
 (52) **U.S. Cl.**  
 USPC ..... **D9/443; D9/452**

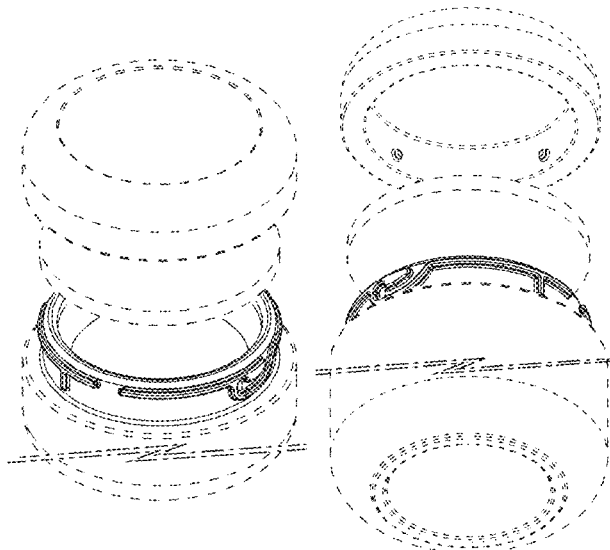
(58) **Field of Classification Search**  
 USPC ..... D7/392.1, 396.2; D9/434–436, 440, 443, D9/445, 447, 449, 454, 499, 516, 529, D9/544, 546, 559, 560, 564, 565, 570, D9/571, 575, 715, 719, 452; D28/4, 7, D28/76, 82, 83, 85, 88  
 CPC ..... B05B 11/0008; B65D 35/02; B65D 35/44; B65D 41/06; B65D 47/18; B65D 50/043; B65D 50/06; B65D 50/061; B65D 2215/04; B65D 2215/0015; B65D 2215/0093

See application file for complete search history.

(56) **References Cited**

**U.S. PATENT DOCUMENTS**

2,770,382 A \* 11/1956 Ritter ..... B65D 41/04  
 285/390  
 D719,026 S \* 12/2014 Prero ..... D9/516



(56)

**References Cited**

U.S. PATENT DOCUMENTS

2008/0110850 A1\* 5/2008 Tilton ..... B65D 41/0471  
220/319  
2021/0316914 A1\* 10/2021 Tidwell ..... B65D 50/061

OTHER PUBLICATIONS

Child Resistant Container For Cannabis. No date specified. <http://m.glass-cosmetic-bottles.com/marijuana-bottle/child-resistant-container-for-cannabis.html> (Year: 0).\*

Pent Awards. The Rise and Evolution of Cannabis Packaging. Apr. 19, 2021. <https://pentawards.com/live/en/node/newsitem-cannabis-packaging> (Year: 2021).\*

\* cited by examiner

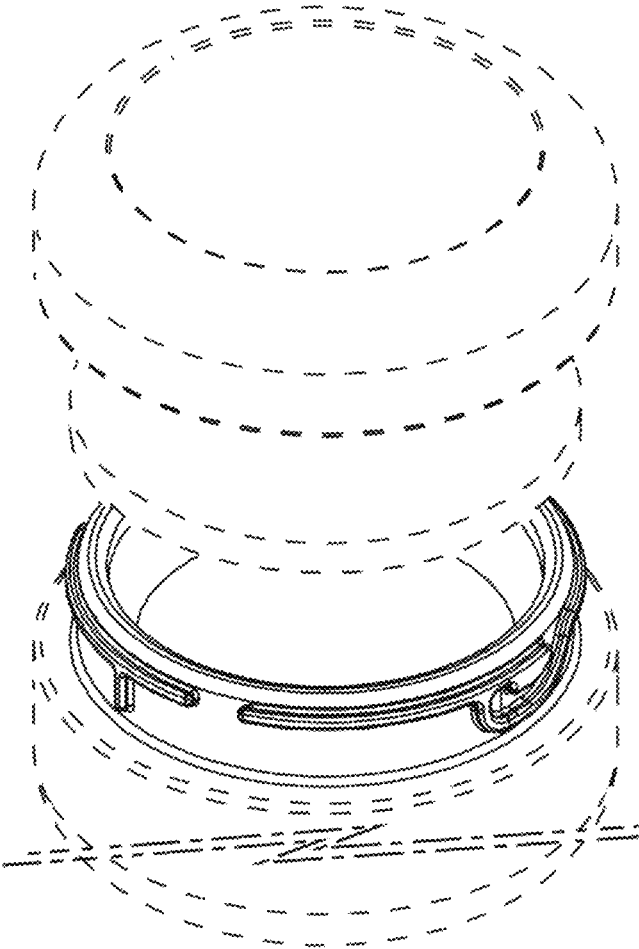


FIG. 1

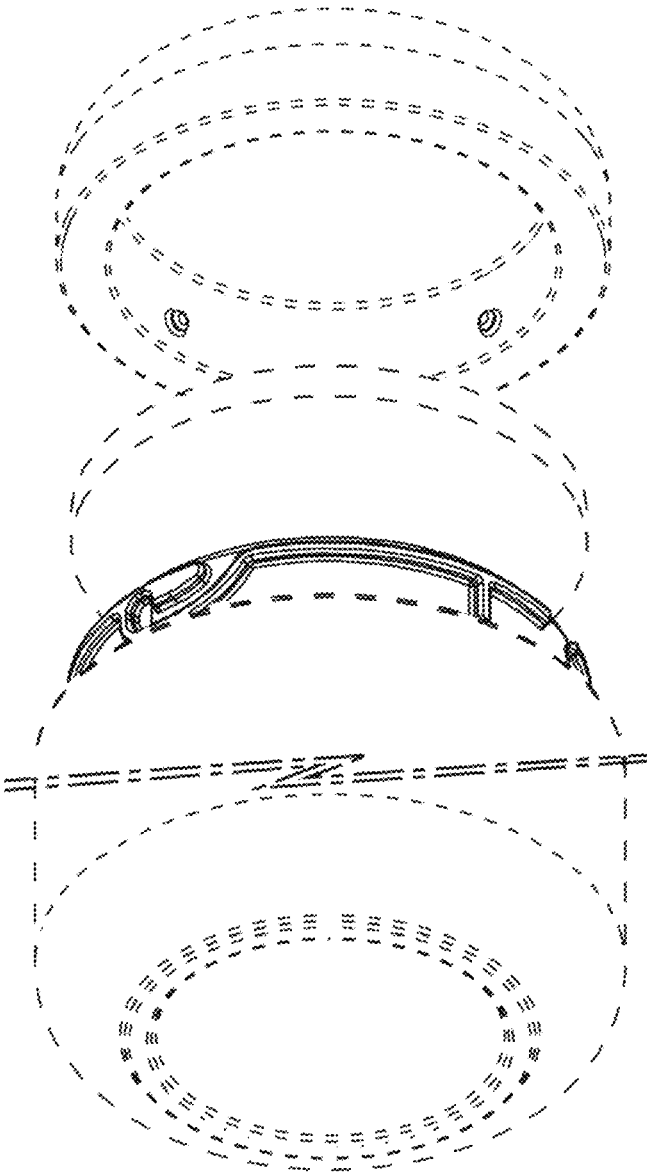


FIG. 2

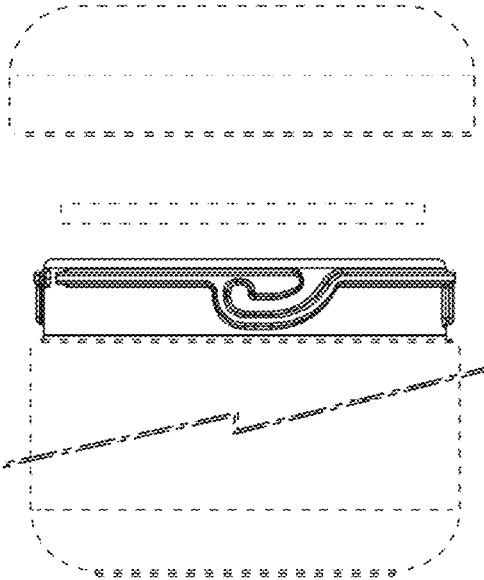


FIG. 3

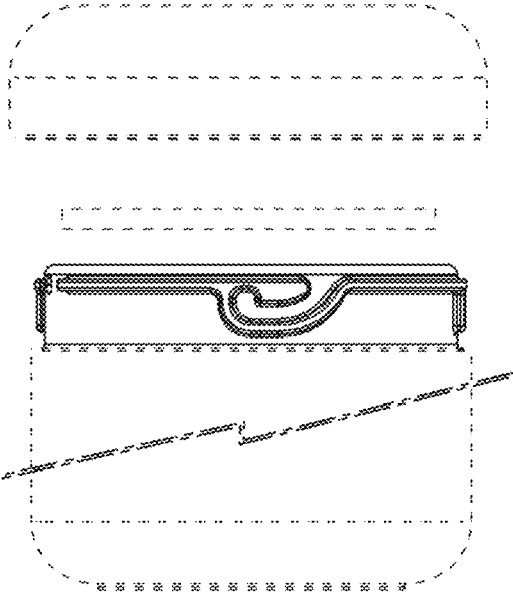


FIG. 4

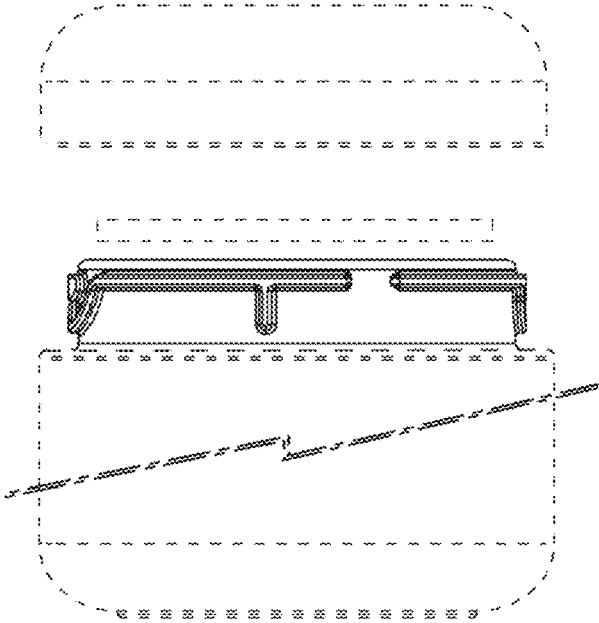


FIG. 5

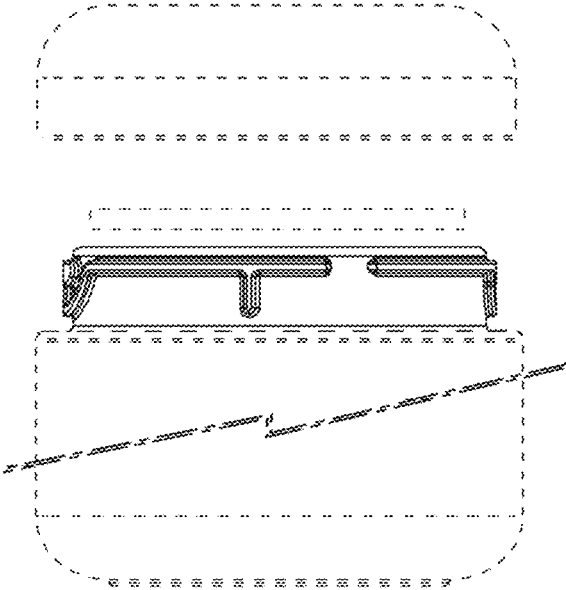


FIG. 6