



(12) **United States Design Patent**
Murphy et al.

(10) **Patent No.:** **US D997,272 S**
(45) **Date of Patent:** **** Aug. 29, 2023**

(54) **GOLF TEE**

FOREIGN PATENT DOCUMENTS

(71) Applicants: **Keith Murphy**, San Diego, CA (US);
Patrick Pineda, San Diego, CA (US)

CN 307036248 * 12/2021
GB 2136694 A 9/1984
(Continued)

(72) Inventors: **Keith Murphy**, San Diego, CA (US);
Patrick Pineda, San Diego, CA (US)

OTHER PUBLICATIONS

(**) Term: **15 Years**

Dunlop GGF-05507 Srixon Screw Mug, available on Amazon.co.jp, date first available Feb. 14, 2020, oldest customer review May 26, 2021, [site visited Oct. 31, 2022], URL: <https://www.amazon.co.jp/-/en/Dunlop-GGF-05507-Srixon-Screw-Medium/dp/B084S7Z5HC/> (Year: 2021).*

(21) Appl. No.: **29/810,012**

(22) Filed: **Sep. 30, 2021**

(Continued)

(51) **LOC (14) Cl.** **21-02**

(52) **U.S. Cl.**

USPC **D21/717**

(58) **Field of Classification Search**

USPC D21/717, 718, 793, 794, 796, 839, 840;
D19/101, 115, 123, 129, 154, 161, 162,
D19/163; D8/1, 349, 388, 389
CPC B43K 24/082; B43K 24/04; A63B 57/10;
A63B 57/13; A63B 57/15; A63B 57/18;
A63B 57/19

See application file for complete search history.

Primary Examiner — Cary M Robinson

Assistant Examiner — Emily Anna Saunders

(74) *Attorney, Agent, or Firm* — Buche & Associates,
P.C.; Bryce A. Johnson; John K. Buche

(57)

CLAIM

We claim the ornamental design for a “golf tee,” as shown and described.

DESCRIPTION

(56) **References Cited**

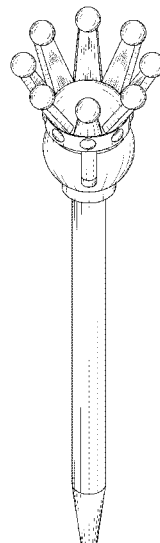
U.S. PATENT DOCUMENTS

1,573,911 A * 2/1926 Budrow A63B 57/10
473/401
D132,641 S * 6/1942 Sanders D19/163
D200,543 S * 3/1965 Thomte A63B 57/10
D21/718
3,966,214 A 6/1976 Collins
4,004,814 A 1/1977 Blair
5,759,118 A * 6/1998 Sroczyński A63B 57/16
473/387
D422,310 S * 4/2000 Cohen A63B 57/16
D19/163
6,053,822 A 4/2000 Kolodney et al.
6,139,449 A 10/2000 Cardarelli

(Continued)

FIG. 1 is a top perspective view of the golf tee;
FIG. 2 is a front view of the golf tee of FIG. 1;
FIG. 3 is a back side view of the golf tee of FIG. 1;
FIG. 4 is a left side view of the golf tee of FIG. 1;
FIG. 5 is a right side view of the golf tee of FIG. 1;
FIG. 6 is a top view of the golf tee of FIG. 1;
FIG. 7 is a bottom view of the golf tee of FIG. 1;
FIG. 8 is an exploded perspective view of the golf tee of FIG. 1; and,
FIG. 9 is a perspective view of a portion of the golf tee in an environment of use.
The broken lines in FIG. 9 are for the purpose of illustrating environmental subject matter only and form no part of the claimed design. The dot-dashed lines in FIG. 9 show the boundary of the environment.

1 Claim, 6 Drawing Sheets



(56)

References Cited

U.S. PATENT DOCUMENTS

6,224,500 B1 * 5/2001 Mizohata A63B 57/10
473/401

6,344,003 B1 2/2002 Choung

D482,086 S * 11/2003 Metz A63B 57/16
D21/718

6,692,383 B1 2/2004 Heron

D488,525 S * 4/2004 Cardarelli D21/717

D502,972 S 3/2005 DeLisle et al.

D516,146 S 2/2006 Iancono et al.

D566,802 S * 4/2008 Carroll D21/718

D603,005 S * 10/2009 Steinhobel A63B 57/10
D21/718

7,815,529 B2 10/2010 Lee

D659,209 S * 5/2012 Bowen A63B 57/16
D21/718

D659,210 S * 5/2012 Bowen D21/718

D659,211 S * 5/2012 Bowen A63B 57/10
D21/718

8,622,853 B1 1/2014 Roland

8,771,105 B2 7/2014 MacKeen

8,974,322 B1 3/2015 Jones

D885,500 S * 5/2020 Chudy A63B 57/10
D21/718

2004/0166964 A1 * 8/2004 Toyosawa A63B 57/16
473/387

2005/0187041 A1 * 8/2005 Kawashima A63B 57/16
473/387

2008/0188329 A1 8/2008 Chiou

2009/0118041 A1 * 5/2009 Manson A63B 57/10
473/387

2009/0253536 A1 10/2009 Funke

2012/0214616 A1 8/2012 Lipstock et al.

2013/0337944 A1 * 12/2013 Lee A63B 57/16
29/525.12

2014/0371006 A1 12/2014 Black, Jr. et al.

FOREIGN PATENT DOCUMENTS

JP D1631194 * 5/2019

JP D1716077 * 5/2022

KR 100977400 B1 8/2010

KR 301156529.0000 * 3/2022

OTHER PUBLICATIONS

Bridgestone Magnetic Tee, available on Amazon.co.jp, date first available Sep. 19, 2014, oldest customer review Jun. 12, 2015, [site visited Oct. 31, 2022], URL: <https://www.amazon.co.jp/-/en/Bridgestone-GAGMTF-Magnetic-Fairway-inches/dp/B00NPJVFDE/> (Year: 2014).*

Trusway Golf Tee, available on Amazon.com, date first available Jun. 25, 2021, [site visited Oct. 27, 2022], URL: <https://www.amazon.com/Trusway-Resistance-Multifunctional-Friction-Practice/dp/B097YMWVKG/> (Year: 2021).*

Muxsam golf tee crown shape booster tee, available on Amazon.com, date first available Oct. 26, 2016, [site visited Oct. 27, 2022], URL: <https://www.amazon.com/Plastic-Orange-Booster-Friction-Reduce/dp/B01M8N613S/> (Year: 2016).*

Kofull Golf Tee, available on Amazon.com, date first available Jun. 5, 2018, oldest customer review Sep. 28, 2019, [site visited Oct. 27, 2022], URL: <https://www.amazon.com/KOFULL-Plastic-Unbreakable-Colorful-Claw/> (Year: 2018).*

Saplize plastic golf tee, available on Amazon.com, date first available Dec. 23, 2020, oldest customer review Feb. 24, 2021, [site visited Oct. 27, 2022], URL: <https://www.amazon.com/SAPLIZE-Plastic-inches-Reduces-Friction/dp/B08R6SZBHW/> (Year: 2020).*

Muxsam plastic golf tee, available on Amazon.com, date first available Aug. 9, 2016, [site visited Oct. 26, 2022], URL: <https://www.amazon.com/MUXSAM-5-Claw-Professional-Frictionless-Plastic/dp/B01K19V8Y6/> (Year: 2016).*

Diamond Pen, available on Amazon.com, date first available Sep. 5, 2022, [site visited Oct. 27, 2022], URL: <https://www.amazon.com/Diamond-Rainbow-Kawaii-Multicolor-Stationery/dp/B0BD4R7Z5P/> (Year: 2022).*

* cited by examiner

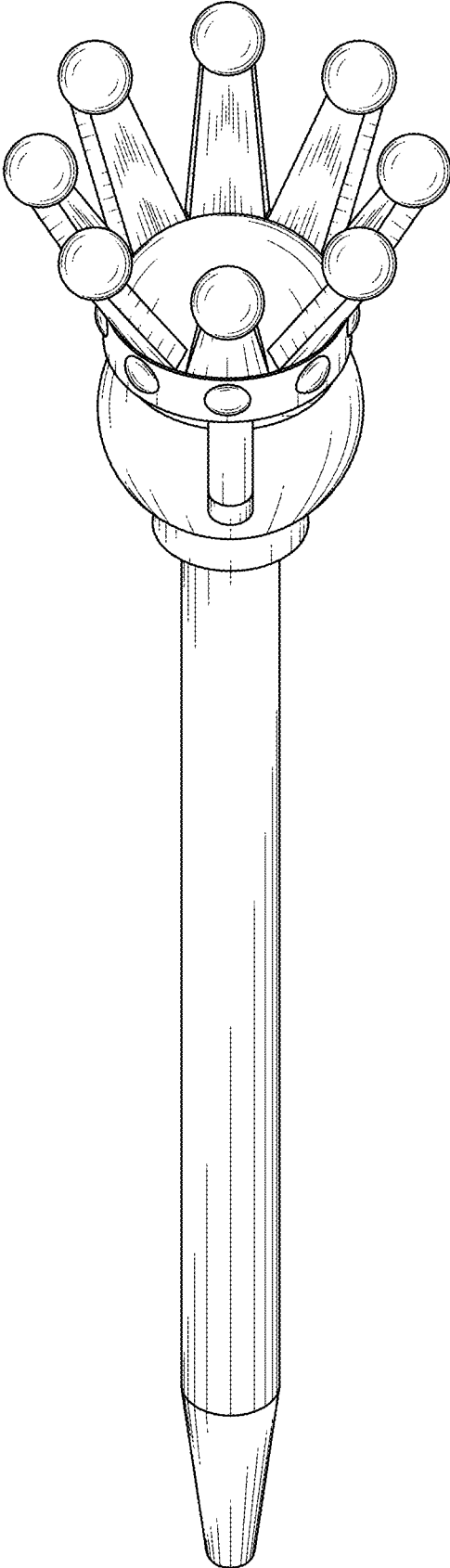


FIG. 1

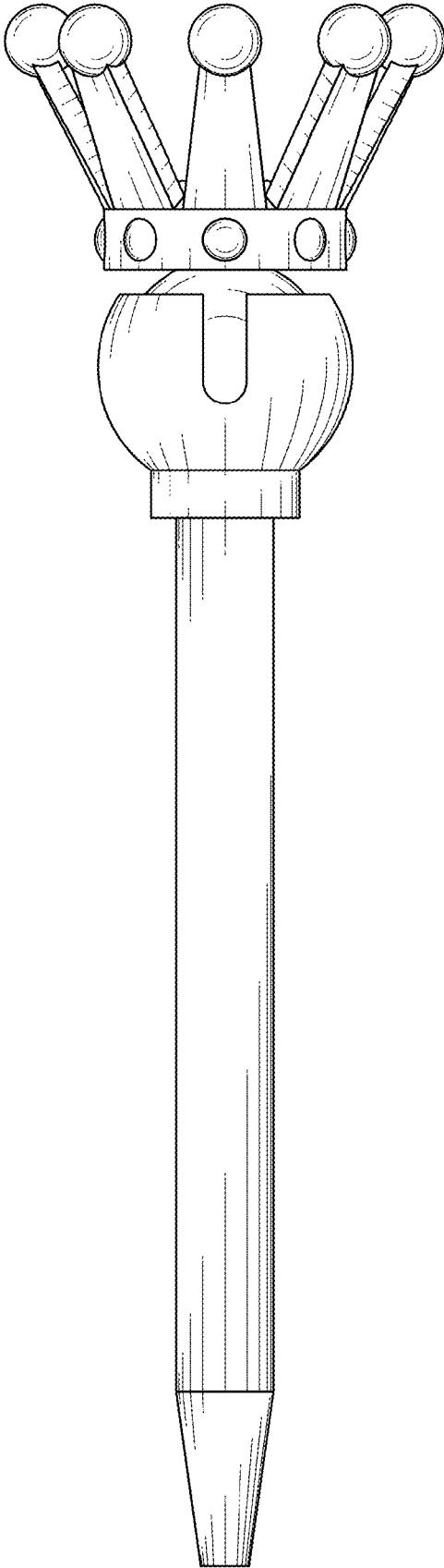


FIG. 2

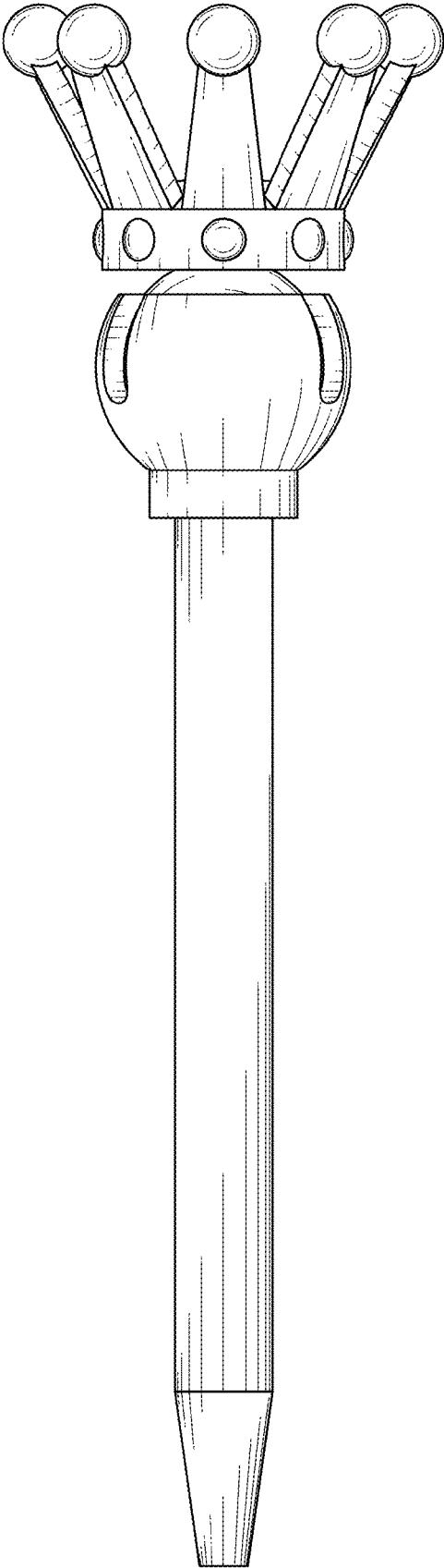


FIG. 3

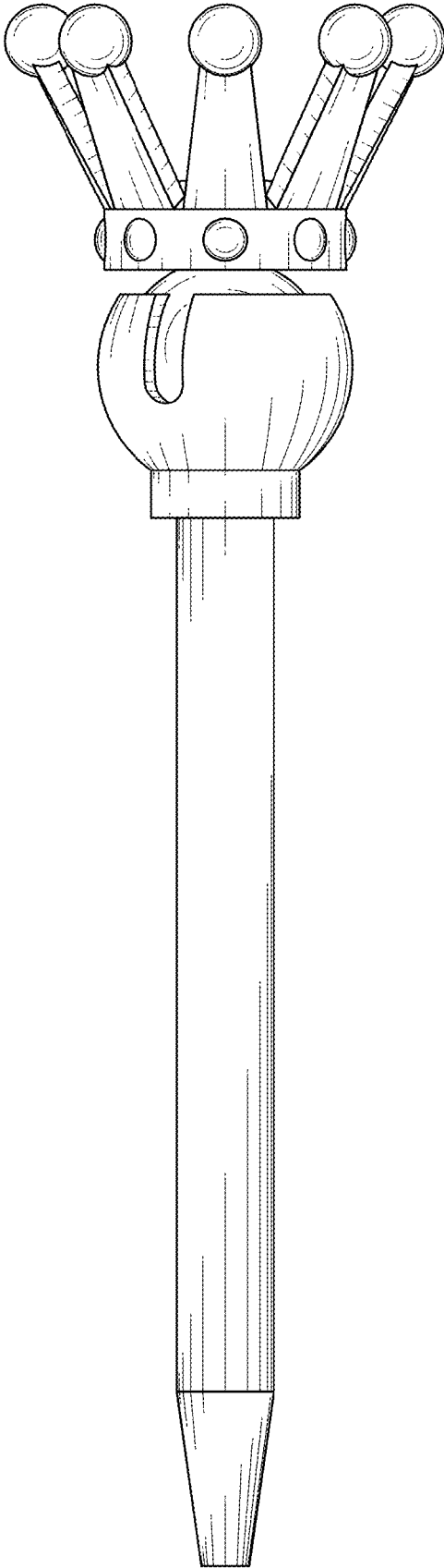


FIG. 4

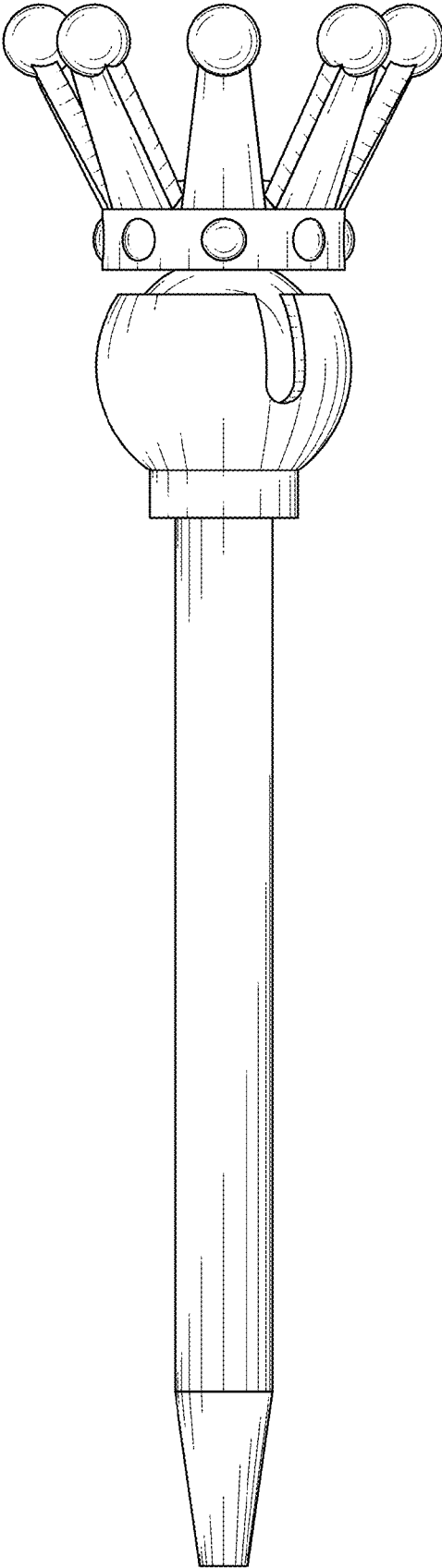


FIG. 5

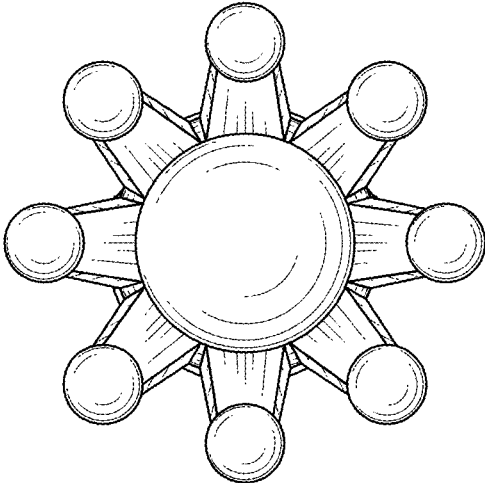


FIG. 6

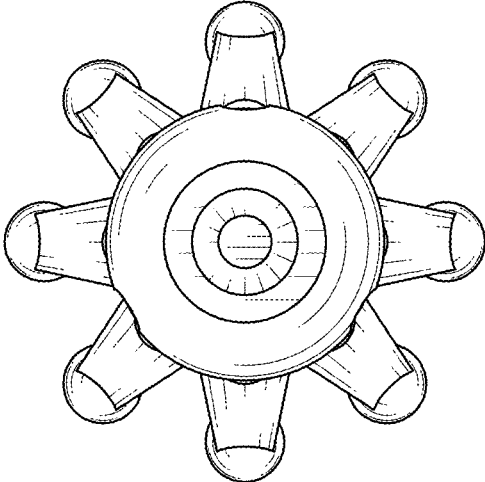


FIG. 7

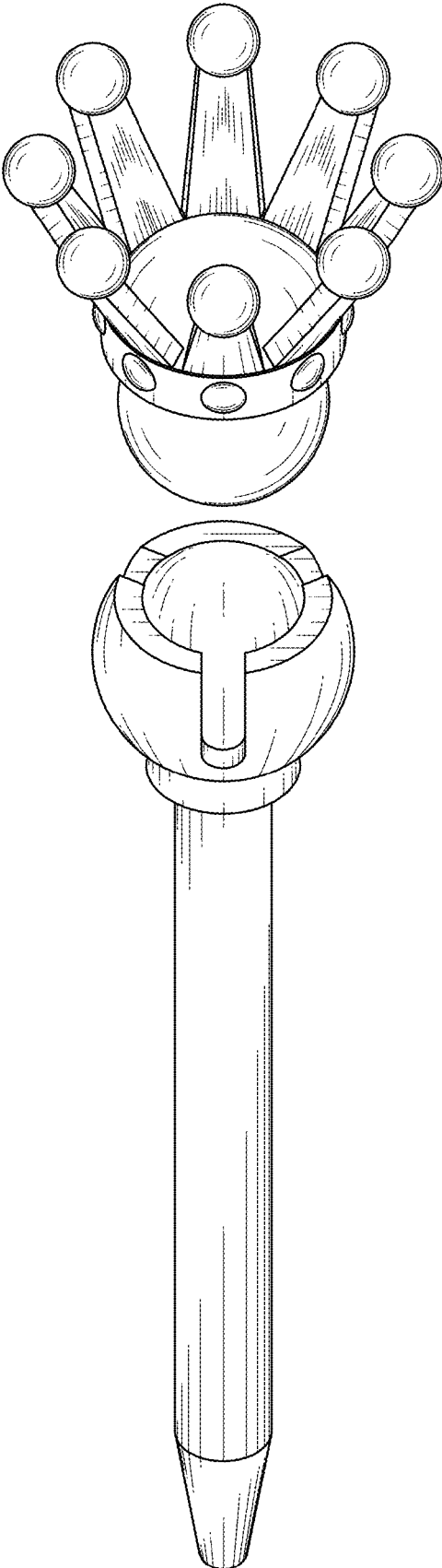


FIG. 8

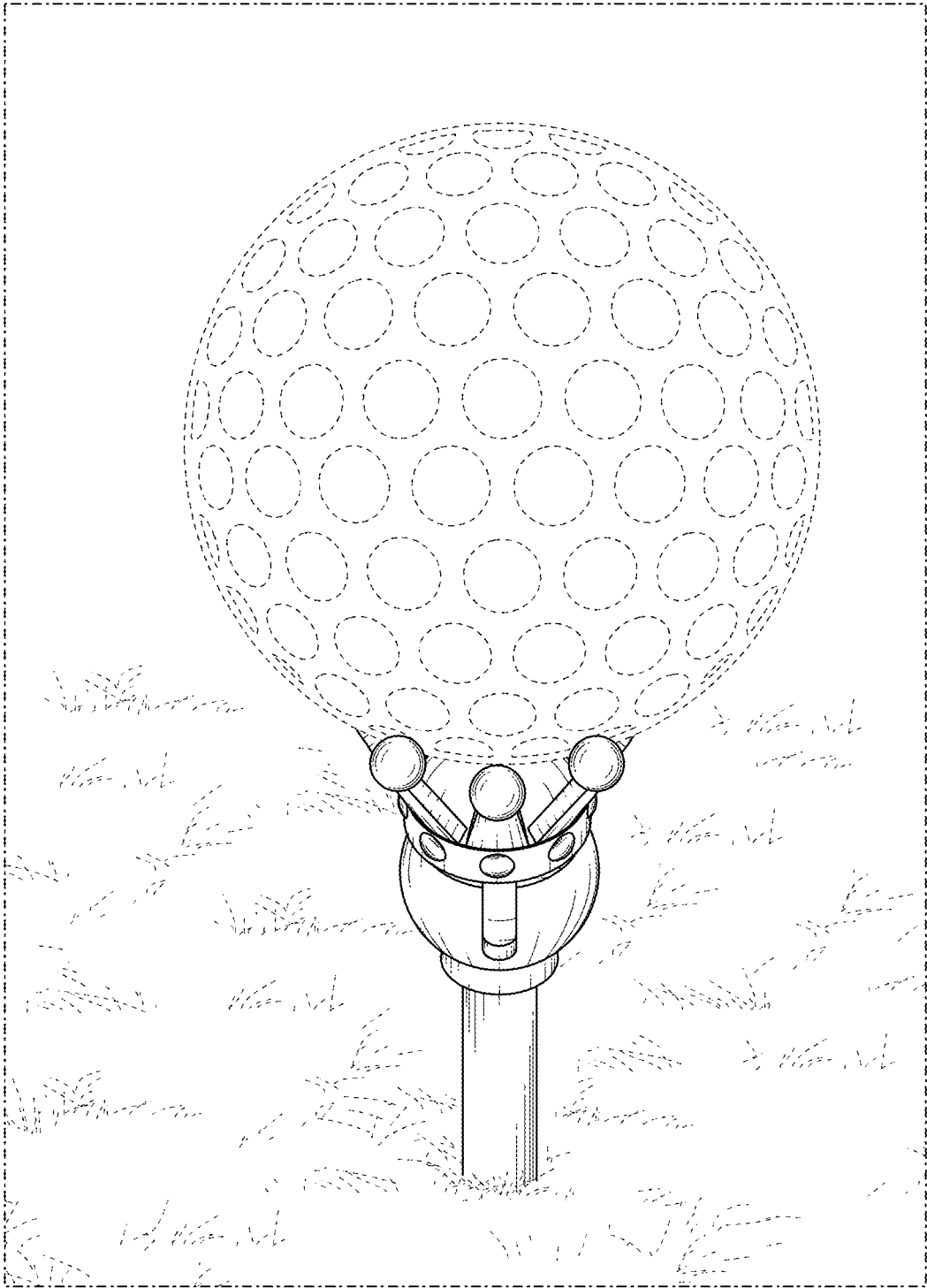


FIG. 9