



(12) **United States Design Patent**  
**Tidwell et al.**

(10) **Patent No.:** **US D999,059 S**  
(45) **Date of Patent:** **\*\* Sep. 19, 2023**

- (54) **CHILD-RESISTANT CONTAINER**
- (71) Applicant: **PWS Packaging Services, Inc.**, La Jolla, CA (US)
- (72) Inventors: **Justin Tidwell**, Brea, CA (US);  
**William Tidwell**, Brea, CA (US)
- (\*\*) Term: **15 Years**
- (21) Appl. No.: **29/774,370**
- (22) Filed: **Mar. 16, 2021**

- (56) **References Cited**
- U.S. PATENT DOCUMENTS
- 3,407,967 A \* 10/1968 Stull ..... B65D 47/242  
222/521
- D240,711 S \* 7/1976 Angleman ..... D9/504  
(Continued)
- OTHER PUBLICATIONS
- Cool Jarz. 8oz (60 Dram) Child Resistant Container—750 Qty. No date specified. <https://cooljarz.com/products/60-dram-86-series-child-resistant-tamper-evident-opaque-jars> (Year: 0).\*
- (Continued)

**Related U.S. Application Data**

- (63) Continuation-in-part of application No. 17/202,967, filed on Mar. 16, 2021, and a continuation-in-part of application No. 29/767,510, filed on Jan. 22, 2021, which is a continuation-in-part of application No. 29/732,125, filed on Apr. 21, 2020, which is a continuation-in-part of application No. 16/847,863, filed on Apr. 14, 2020, said application No. 17/202,967 is a continuation-in-part of application No. 16/847,863, filed on Apr. 14, 2020.

- (51) **LOC (14) Cl.** ..... **09-07**
- (52) **U.S. Cl.**  
USPC ..... **D9/443; D9/447; D9/452**

- (58) **Field of Classification Search**  
USPC ..... D7/392.1, 396.2; D9/434–436, 440, 443, D9/445, 447, 449, 454, 499, 516, 529, D9/544, 546, 559, 560, 564, 565, 570, D9/571, 575, 715, 719, 448, 452, 453, D9/723–730, 799; D28/4, 7, 76, 82, 83, D28/85, 88, 91.1  
CPC ..... B05B 11/0008; B65D 35/02; B65D 35/44; B65D 41/06; B65D 47/18; B65D 50/043; B65D 50/06; B65D 50/061; B65D 2215/04; B65D 2215/0015; B65D 2215/0093

See application file for complete search history.

*Primary Examiner* — Darcey E Gottschalk  
(74) *Attorney, Agent, or Firm* — BUCHE & ASSOCIATES, P.C.; Bryce A. Johnson; John Buche

- (57) **CLAIM**  
We claim the ornamental design for a child-resistant container, as shown and described.

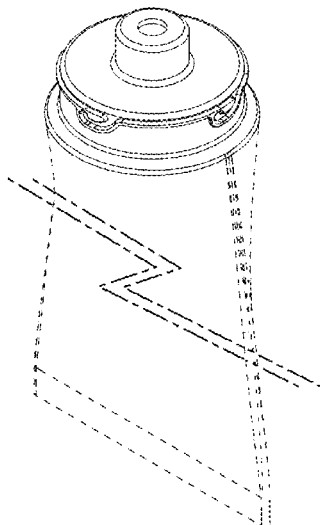
**DESCRIPTION**

FIG. 1 is a front view of a child-resistant container; FIG. 2 is a back view of the child-resistant container of FIG. 1; FIG. 3 is a left side view of the child-resistant container of FIG. 1; FIG. 4 is a right side view of the child-resistant container of FIG. 1; FIG. 5 is a top perspective view of the child-resistant container of FIG. 1; and, FIG. 6 is a bottom perspective view of the child-resistant container of FIG. 1.

Broken lines depict portions of the container and form no part of the claimed design.

The child-resistant container is shown with a symbolic break, via dash-dot-dash lines, in its midsection. The appearance of any portion of the article between the break lines forms no part of the claimed design.

**1 Claim, 3 Drawing Sheets**



(56)

References Cited

U.S. PATENT DOCUMENTS

D266,146 S \* 9/1982 Morris ..... D9/542  
 D280,289 S \* 8/1985 Aldrich, III ..... D9/542  
 D330,516 S \* 10/1992 Cavazza ..... D9/571  
 D362,808 S \* 10/1995 Scott ..... D24/115  
 D422,748 S \* 4/2000 Lang ..... D28/7  
 D424,442 S \* 5/2000 Kreiseder ..... D9/449  
 D429,642 S \* 8/2000 Garcia ..... D9/448  
 D441,654 S \* 5/2001 Sayers ..... D9/448  
 D455,960 S \* 4/2002 Dobbs ..... D9/448  
 D536,966 S \* 2/2007 Cecere ..... D9/449  
 D536,979 S \* 2/2007 Caserta ..... D9/523  
 D562,699 S \* 2/2008 Green ..... D9/504  
 D577,583 S \* 9/2008 Porter ..... D9/453  
 D577,584 S \* 9/2008 Porter ..... D9/453  
 D599,616 S \* 9/2009 Cresswell ..... D7/392.1  
 D628,089 S \* 11/2010 Ashiwa ..... D9/723  
 D645,763 S \* 9/2011 Lee ..... D9/725  
 D649,047 S \* 11/2011 Baker ..... D9/449  
 D656,020 S \* 3/2012 Lee ..... D7/396.2  
 D669,981 S \* 10/2012 Ruiz, Sr. .... D9/725  
 D684,052 S \* 6/2013 Bakic ..... D9/448  
 D690,599 S \* 10/2013 Moore ..... B65D 41/0457  
 D710,544 S \* 8/2014 Shen ..... D9/725  
 D726,028 S \* 4/2015 Thompson ..... D28/7  
 D749,897 S \* 2/2016 Zicafoose ..... D7/392.1  
 D754,540 S \* 4/2016 Wang ..... D9/434  
 D763,078 S \* 8/2016 Roy ..... D9/434  
 D763,102 S \* 8/2016 Pires ..... D9/726  
 D768,492 S \* 10/2016 Kim ..... D9/434  
 D769,714 S \* 10/2016 Koza ..... D9/434  
 D775,953 S \* 1/2017 Ruthe-Steinsiek ..... D19/194  
 D779,056 S \* 2/2017 Brannon ..... D24/127  
 D793,867 S \* 8/2017 Wilkins ..... D9/726  
 D794,450 S \* 8/2017 Moreaux ..... D9/434  
 D808,080 S \* 1/2018 Corey ..... D28/83  
 D827,364 S \* 9/2018 Rummel ..... D7/392.1  
 D827,450 S \* 9/2018 Loukov ..... D9/726  
 D829,102 S \* 9/2018 Harris ..... D9/503

D834,941 S \* 12/2018 Weinrich ..... D9/560  
 D852,061 S \* 6/2019 Lehaneur ..... D9/726  
 D865,529 S \* 11/2019 Tidwell ..... D9/560  
 D876,241 S \* 2/2020 Lim ..... D9/726  
 D886,632 S \* 6/2020 Ahn ..... D9/503  
 D886,635 S \* 6/2020 Kilduff ..... D9/726  
 D891,931 S \* 8/2020 Tidwell ..... D9/560  
 D896,025 S \* 9/2020 Moulder ..... D7/392.1  
 D924,694 S \* 7/2021 Otani ..... D9/723  
 D928,618 S \* 8/2021 Lee ..... D9/503  
 D932,312 S \* 10/2021 Giuli ..... D9/558  
 D939,962 S \* 1/2022 Tidwell ..... D9/529  
 D968,218 S \* 11/2022 Sorbara ..... D9/452  
 2012/0187070 A1 \* 7/2012 Dejonge ..... B05B 11/0027  
 2012/0187151 A1 \* 7/2012 DeJonge ..... B65D 83/40  
 2019/0382170 A1 \* 12/2019 Karli ..... B65D 50/041  
 2021/0316907 A1 \* 10/2021 Tidwell ..... B65D 41/06  
 2021/0316914 A1 \* 10/2021 Tidwell ..... B65D 50/061

OTHER PUBLICATIONS

Child Resistant Container For Cannabis. No date specified. <http://m.glass-cosmetic-bottles.com/marijuana-bottle/child-resistant-container-for-cannabis.html> (Year: 0).\*

Pent Awards. The Rise and Evolution of Cannabis Packaging. Apr. 19, 2021. <https://pentawards.com/live/en/node/newsitem-cannabis-packaging> (Year: 2021).\*

Sufio. Cool CBD Oil Packaging Designs. Nov. 4, 2020. <https://sufio.com/blog/cbd-product-packaging-ideas/> (Year: 2020).\*

Beauty Packaging. 3 CBD Beauty Product Packaging Trend. Jan. 20, 2020. [https://www.beautypackaging.com/contents/view\\_online-exclusives/2020-01-20/3-cbd-beauty-product-packaging-trends/](https://www.beautypackaging.com/contents/view_online-exclusives/2020-01-20/3-cbd-beauty-product-packaging-trends/) (Year: 2020).\*

SKS Bottle & Packaging Inc. CBD Packaging. Mar. 2018. [https://www.sks-bottle.com/SKS\\_Newsletter/PackagingRap77.html](https://www.sks-bottle.com/SKS_Newsletter/PackagingRap77.html) (Year: 2018).\*

\* cited by examiner

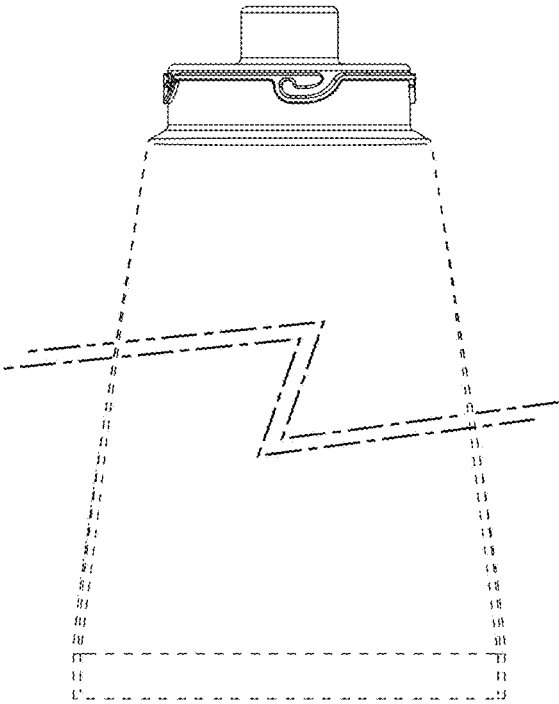


FIG. 1

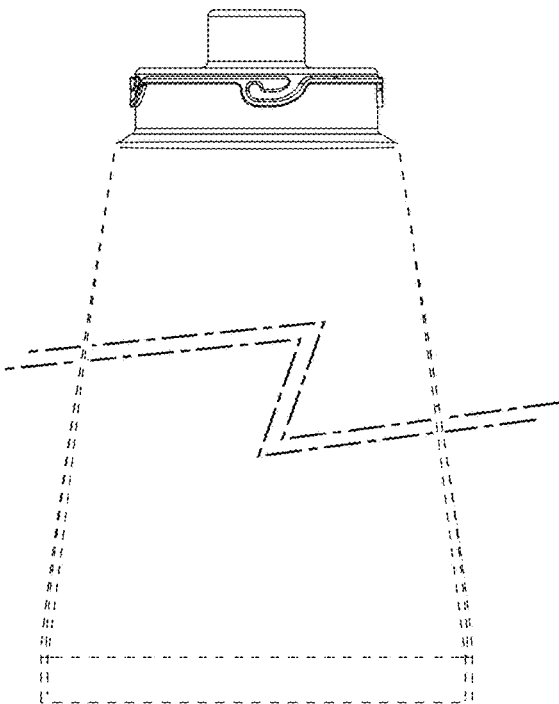


FIG. 2

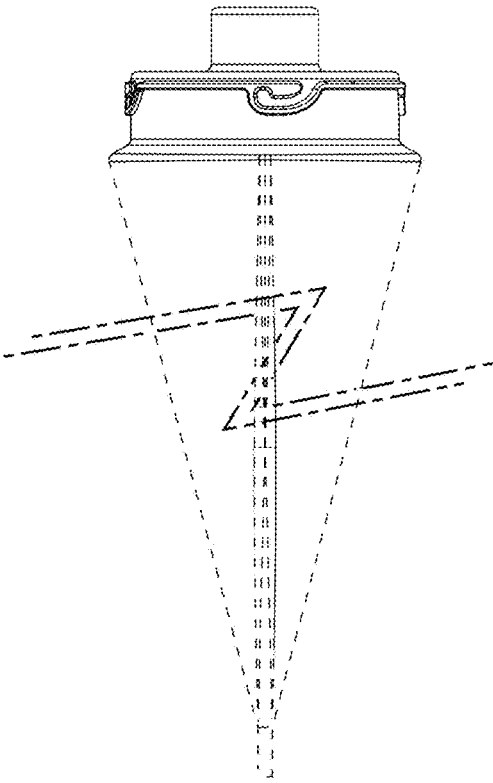


FIG. 3

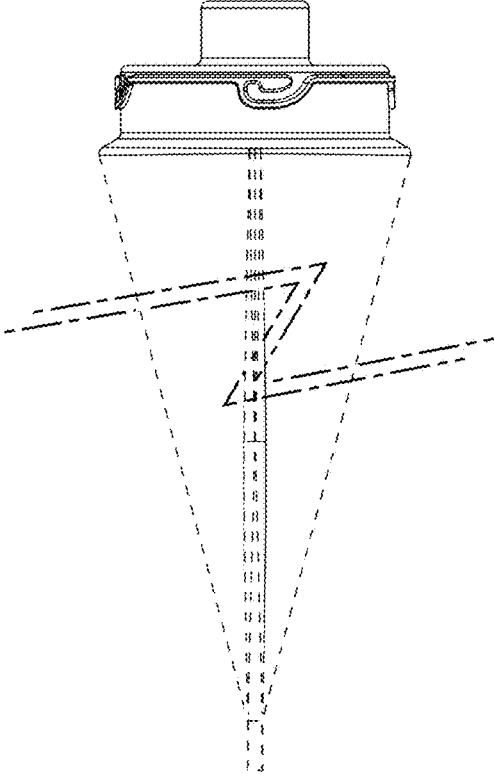


FIG. 4

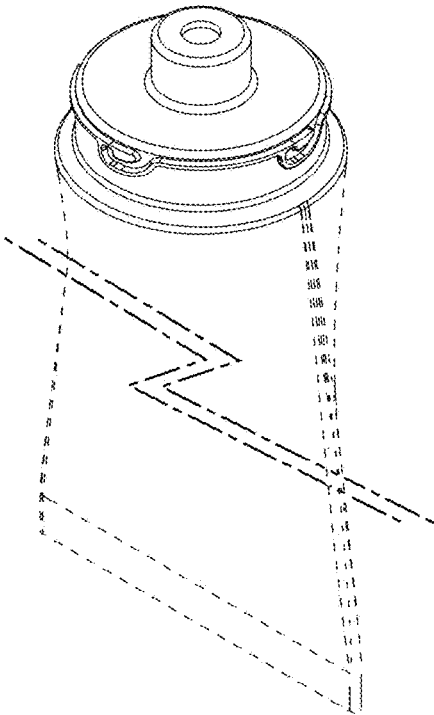


FIG. 5

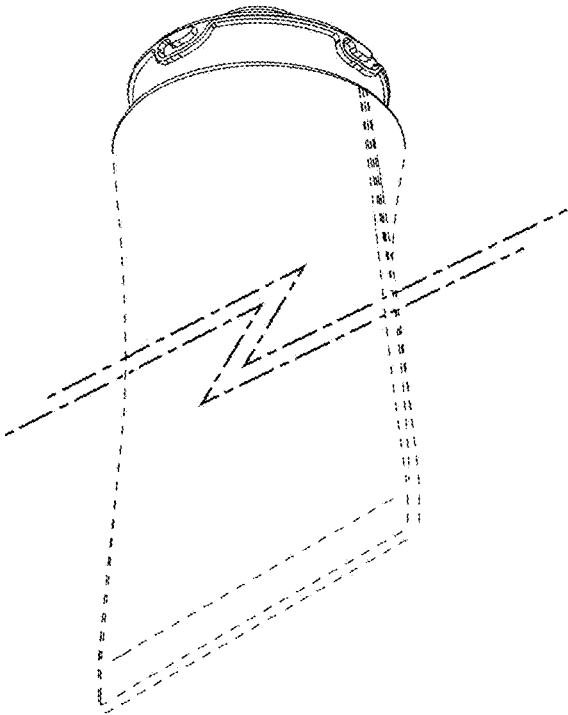


FIG. 6