



US0D1037858S

(12) **United States Design Patent** (10) **Patent No.:** **US D1,037,858 S**  
**Shore** (45) **Date of Patent:** **\*\* Aug. 6, 2024**

(54) **BOTTLE**  
(71) Applicant: **Just the Tippy Inc.**, San Diego, CA (US)  
(72) Inventor: **Matthew Shore**, San Diego, CA (US)  
(\*\*) Term: **15 Years**  
(21) Appl. No.: **29/836,981**  
(22) Filed: **Apr. 29, 2022**  
(51) **LOC (14) Cl.** ..... **09-01**  
(52) **U.S. Cl.**  
USPC ..... **D9/624; D9/516**  
(58) **Field of Classification Search**  
USPC ..... D9/600, 601, 606, 608, 610, 614, 615, D9/620, 621, 623, 624, 625, 627, 628, D9/655, 656, 658, 661, 664, 682, 683, D9/684, 685, 690, 715, 718, 719, 723, D9/724, 737, 738, 741, 744, 745, 746, D9/747, 751, 752, 763, 764, 766, 767, D9/772, 773, 775, 776, 777, 778, 779, D9/780, 500, 502, 503, 504, 516, 519, D9/520, 530, 565, 434, 435, 441, 451, D9/499; D7/500, 509, 510, 514, 519, D7/520, 521, 601, 602, 612, 613; D24/215  
CPC ..... A47G 19/2205; A47G 19/2272; B65D 2543/00046; B65D 2543/00092; B65D 67/00; B65D 81/36; B65D 81/60; B65D 81/368; B65D 37/00; B65D 5/42; B65D 5/4208; B65D 77/00; A63H 33/10; A63H 33/16  
See application file for complete search history.

(56) **References Cited**  
U.S. PATENT DOCUMENTS

D259,702 S \* 6/1981 Richmond ..... D9/624  
D371,442 S \* 7/1996 Semyonova ..... D24/214

D540,181 S \* 4/2007 Edwards ..... D9/600  
D913,105 S \* 3/2021 Tannenbaum ..... D9/601  
D953,117 S \* 5/2022 Kanthabalan ..... D7/514  
D961,384 S \* 8/2022 Kanthabalan ..... D9/624  
D964,165 S \* 9/2022 Kanthabalan ..... D9/624  
D988,872 S \* 6/2023 Aguila ..... D9/624

**OTHER PUBLICATIONS**

Just the Tippy, posted date not available [retrieved Sep. 25, 2023]. Retrieved from internet, <https://tipsybrand.com/wines/> (Year: 2023).\*

(Continued)

*Primary Examiner* — Darcey E Gottschalk  
*Assistant Examiner* — Haley K Schnebele  
(74) *Attorney, Agent, or Firm* — Buche & Associates, P.C.; John K. Buche; Bryce A. Johnson

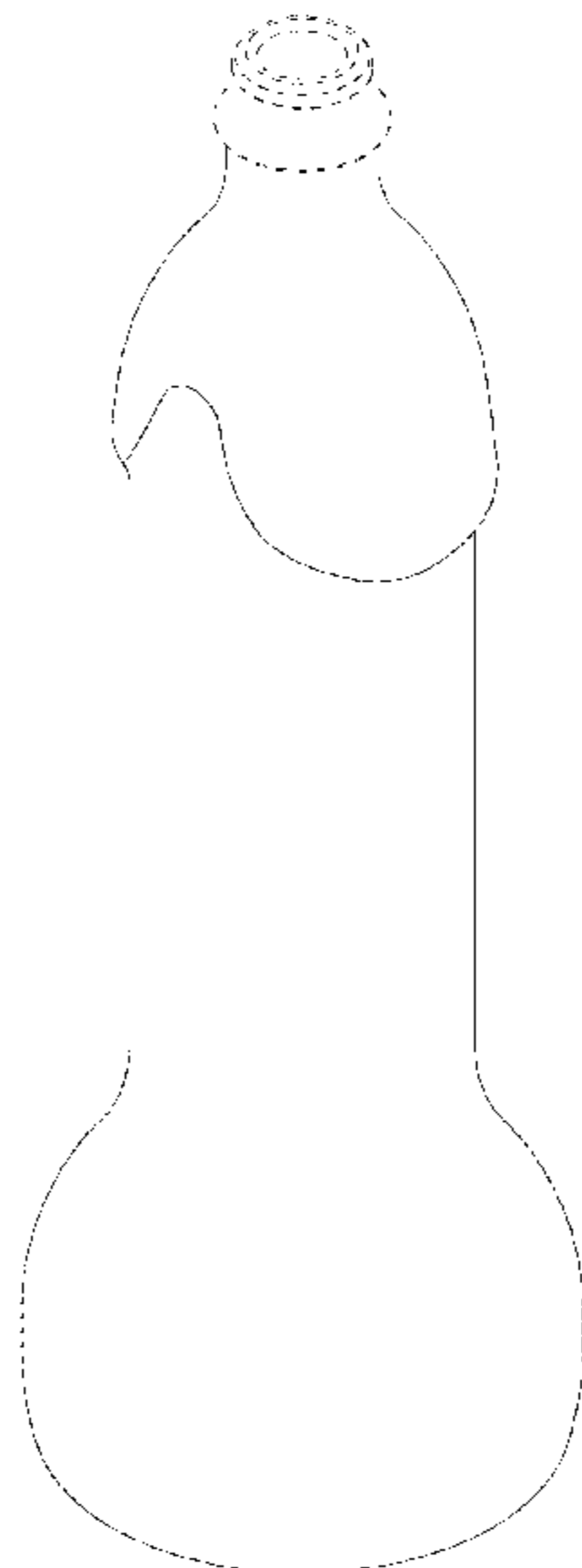
(57) **CLAIM**

I claim the ornamental design for a bottle, as shown and described.

**DESCRIPTION**

FIG. 1 is a perspective view of a bottle;  
FIG. 2 is a perspective view of the bottle of FIG. 1;  
FIG. 3 is a front view of the bottle of FIG. 1;  
FIG. 4 is a back view of the bottle of FIG. 1;  
FIG. 5 is a right side view of the bottle of FIG. 1;  
FIG. 6 is a left side view of the bottle of FIG. 1;  
FIG. 7 is a top view of the bottle of FIG. 1;  
FIG. 8 is a bottom view of the bottle of FIG. 1;  
FIG. 9 is a perspective view of a bottle;  
FIG. 10 is a perspective view of the bottle of FIG. 9;  
FIG. 11 is a front view of the bottle of FIG. 9;  
FIG. 12 is a back view of the bottle of FIG. 9;  
FIG. 13 is a right side view of the bottle of FIG. 9; and,  
FIG. 14 is a left side view of the bottle of FIG. 9.  
Broken lines depict portions of the bottle and form no part of the claimed design.

**1 Claim, 7 Drawing Sheets**



(56)

**References Cited**

OTHER PUBLICATIONS

Would You Try This Penis Shaped Wine!?, posted Jul. 19, 2022 [retrieved Sep. 25, 2023]. Retrieved from internet, <https://www.youtube.com/watch?v=KXYqdjT41Yk> (Year: 2022).\*

Just the Topsy Sparkling Rose, posted date not available [retrieved Sep. 25, 2023]. Retrieved from internet, <https://cwspirits.com/products/just-the-topsy> (Year: 2023).\*

Penis Glass, posted Sep. 13, 2018 [retrieved Sep. 25, 2023]. Retrieved from internet, <https://www.amazon.com/Penis-Creative-Custom-Durable-Drinking/dp/B07HCGV7WJ> (Year: 2018).\*

New Napa Winery Launches Bubbly Rose in Penis-Shaped Bottle, posted Sep. 14, 2021 [retrieved Sep. 25, 2023]. Retrieved from internet, <https://www.foodbeast.com/news/just-the-topsy-penis-shaped-bottle/> (Year: 2021).\*

P\*nis Shot Glass, posted date not available [retrieved Sep. 25, 2023]. Retrieved from internet, <https://yourmagicmug.com/products/penis-shot-glass> (Year: 2023).\*

\* cited by examiner

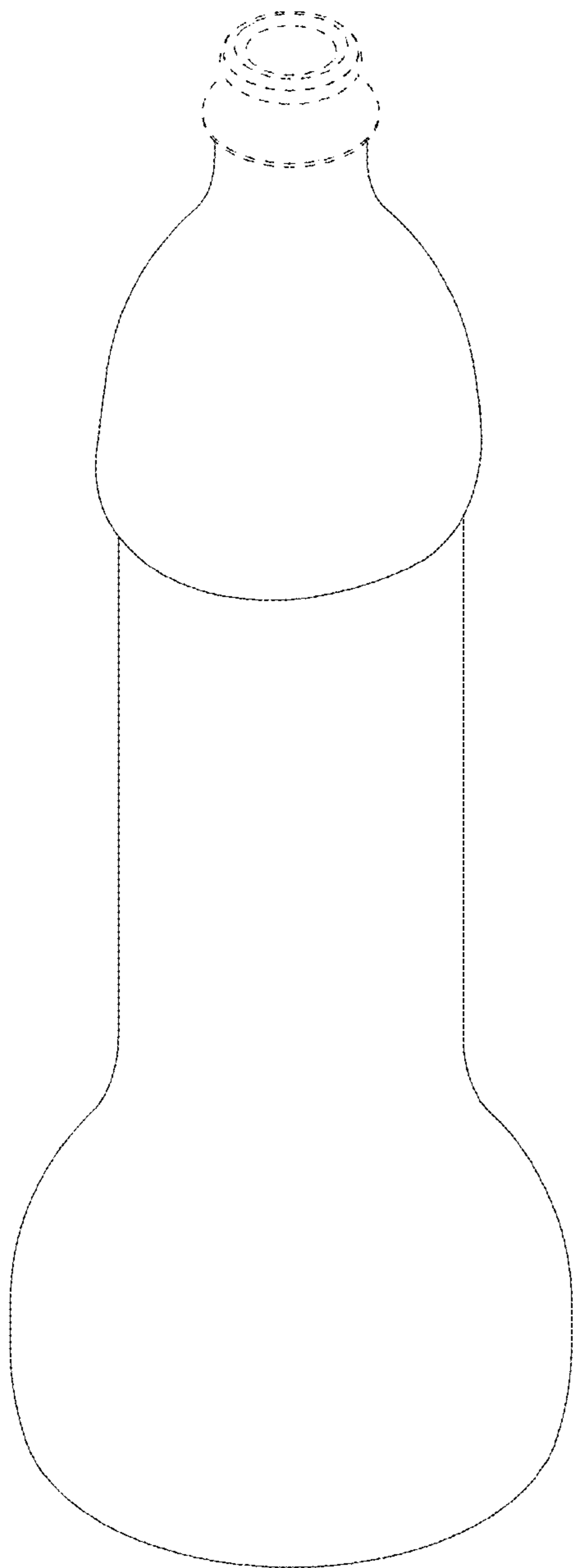


FIG. 1

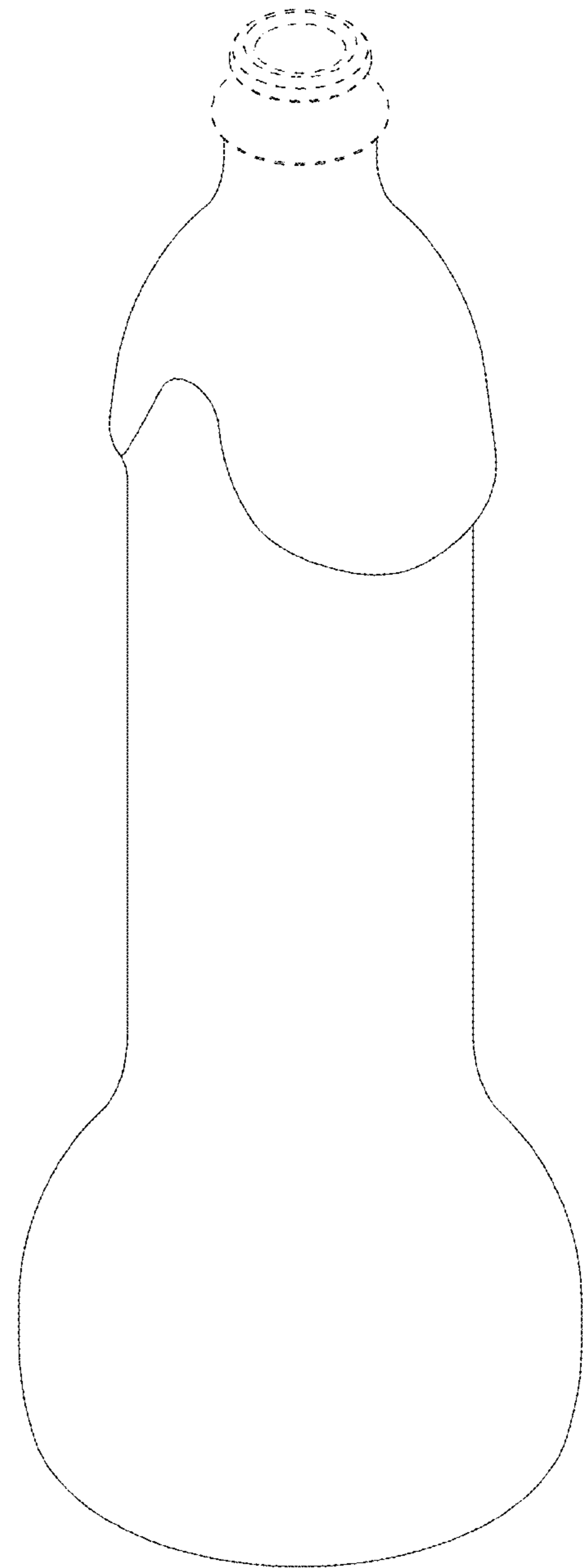


FIG. 2

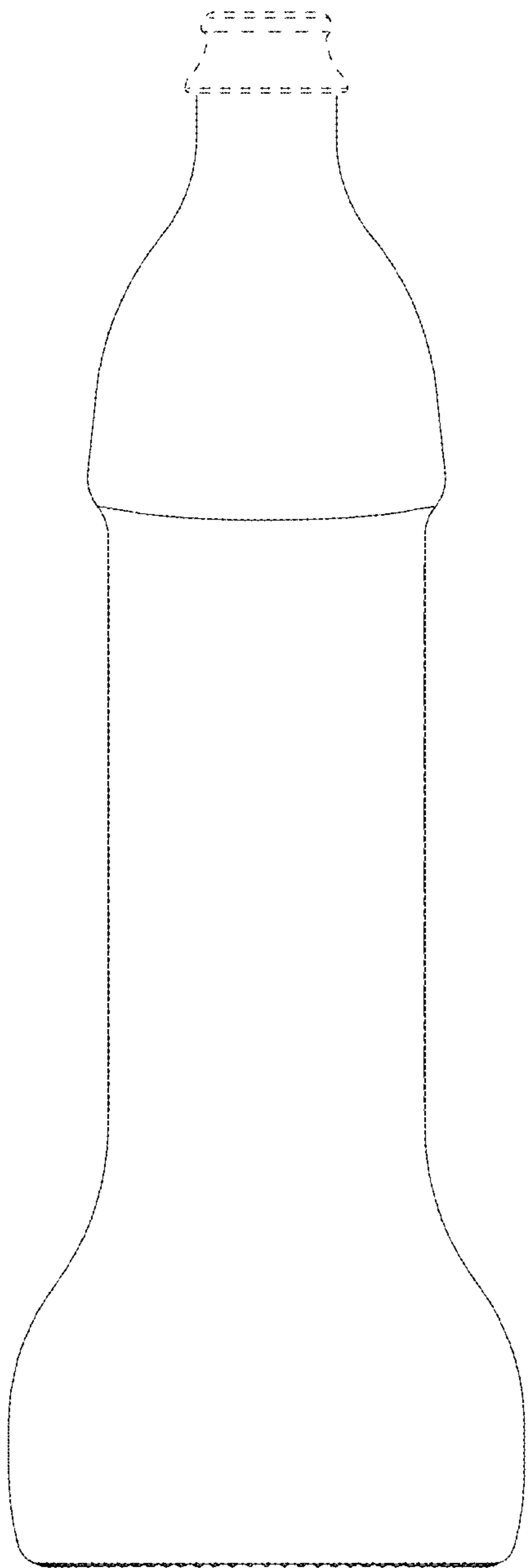


FIG. 3

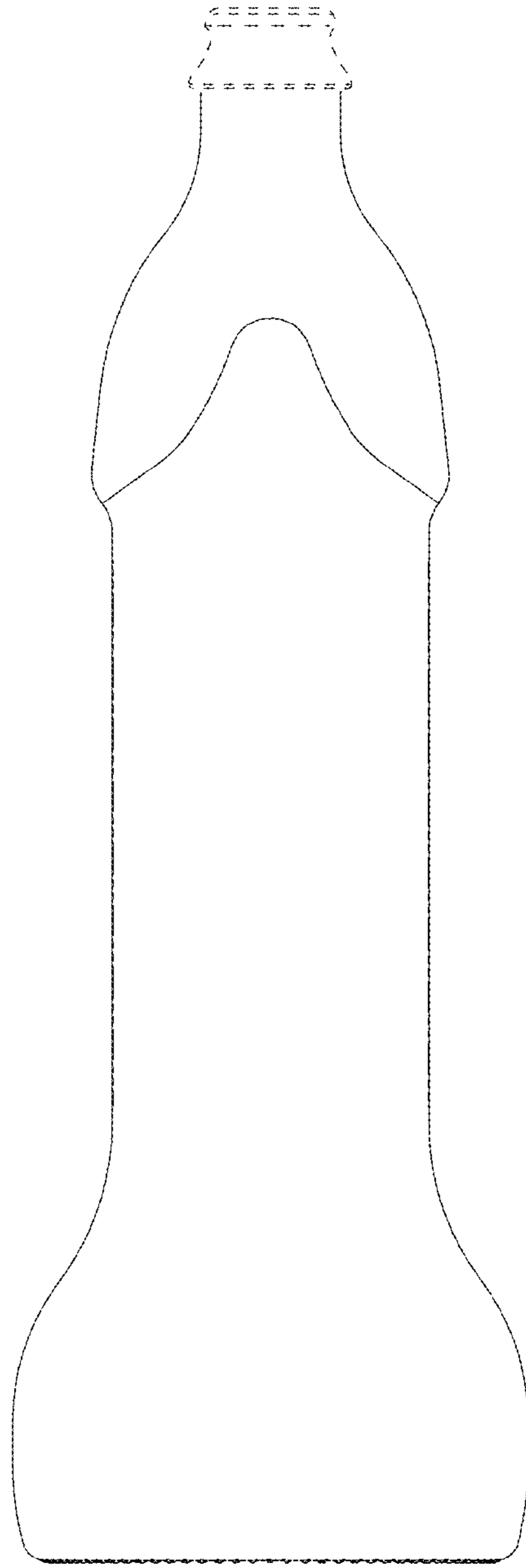


FIG. 4

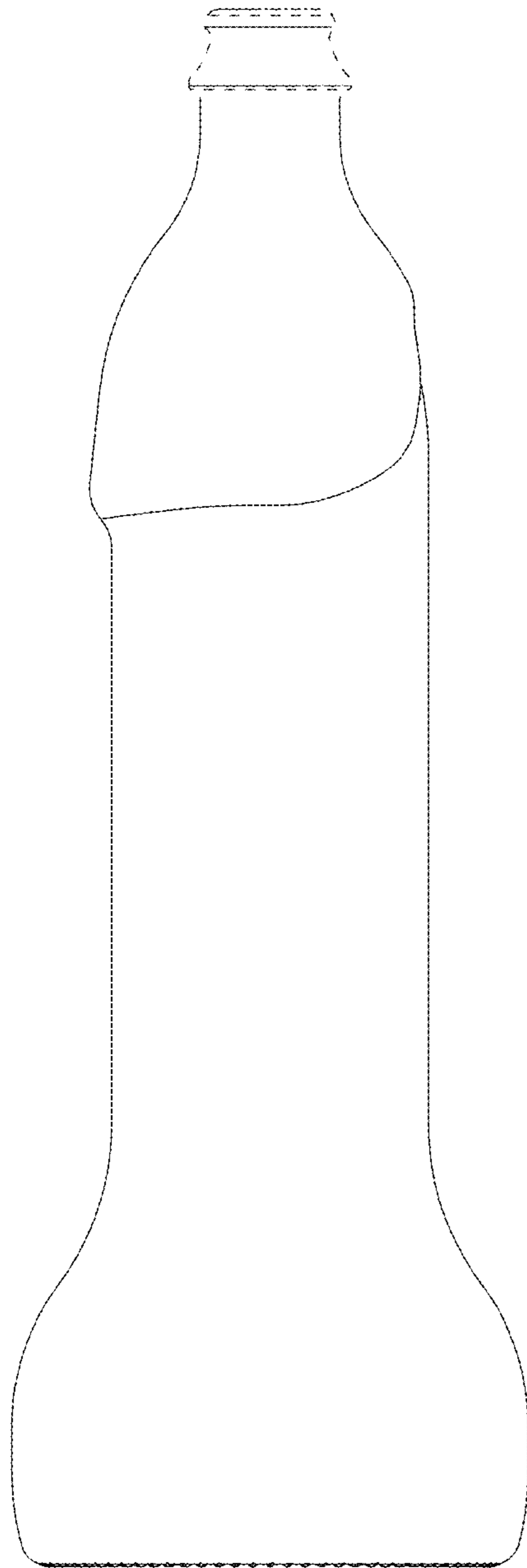


FIG. 5

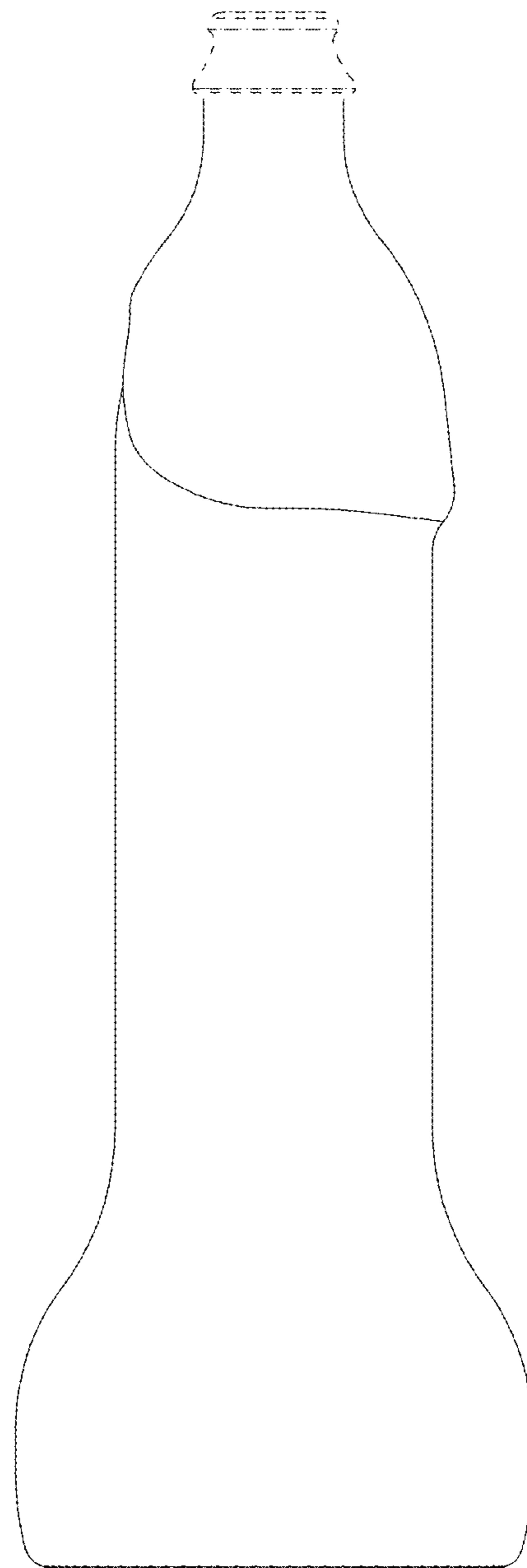


FIG. 6

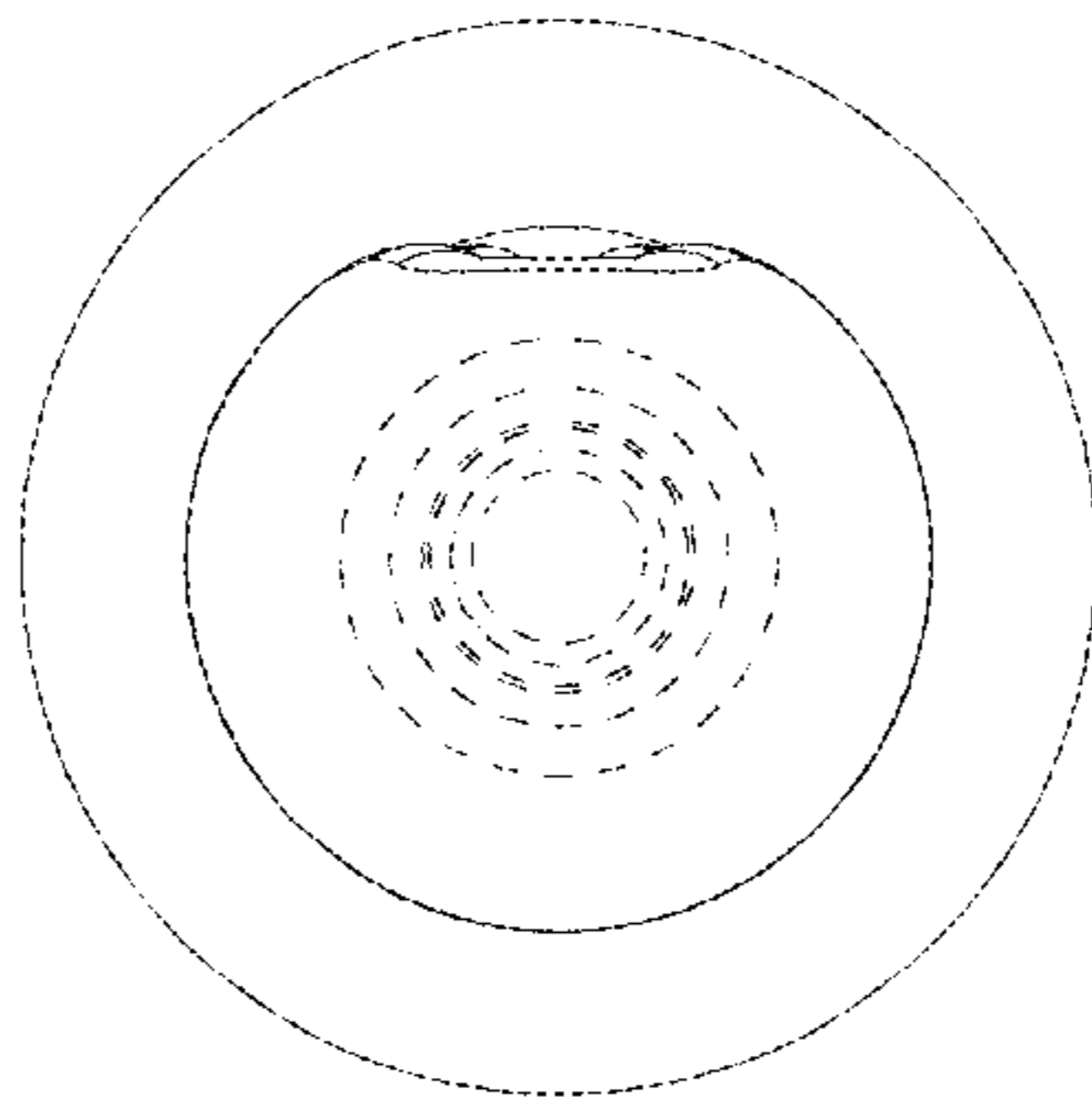


FIG. 7

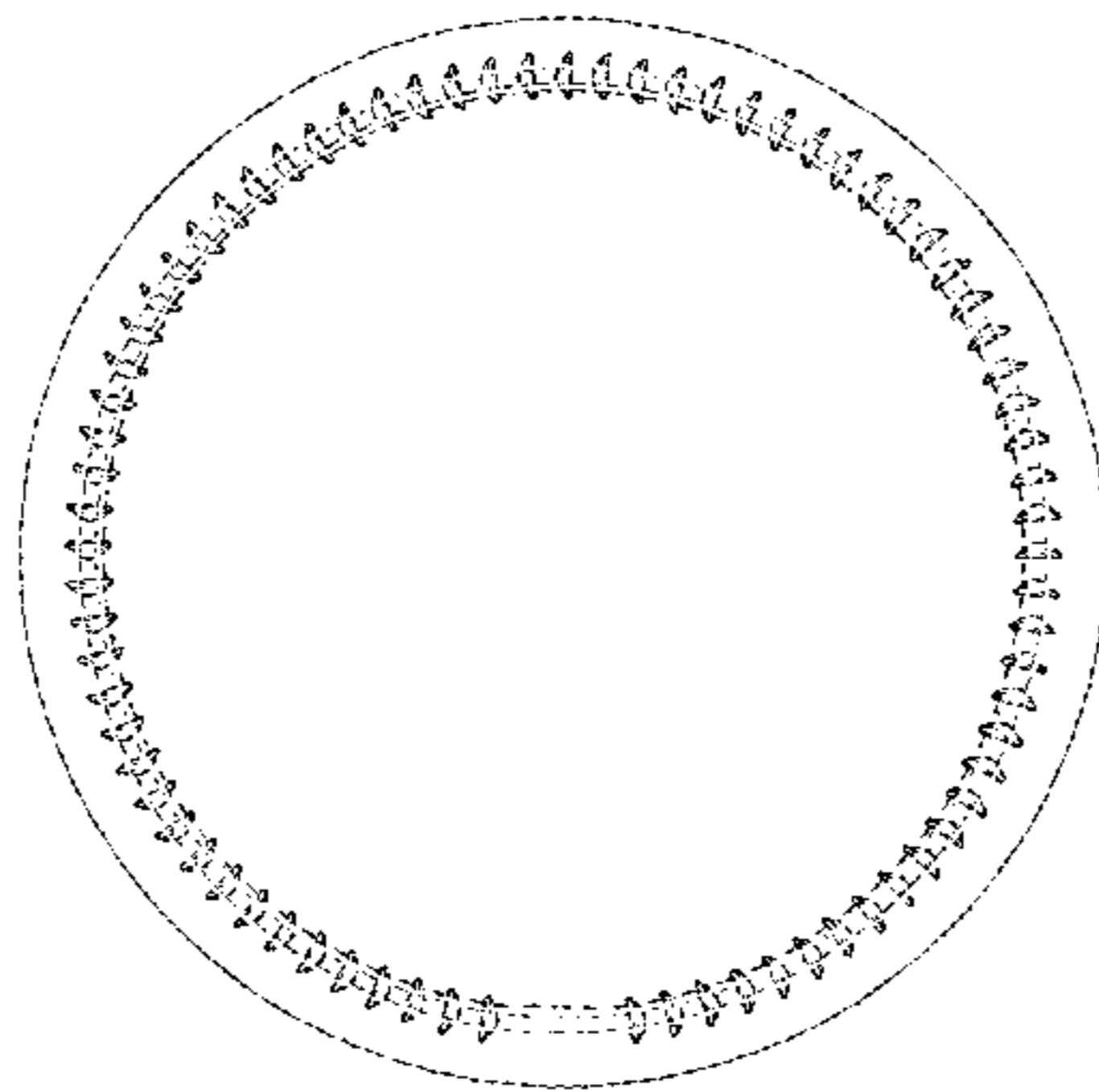


FIG. 8

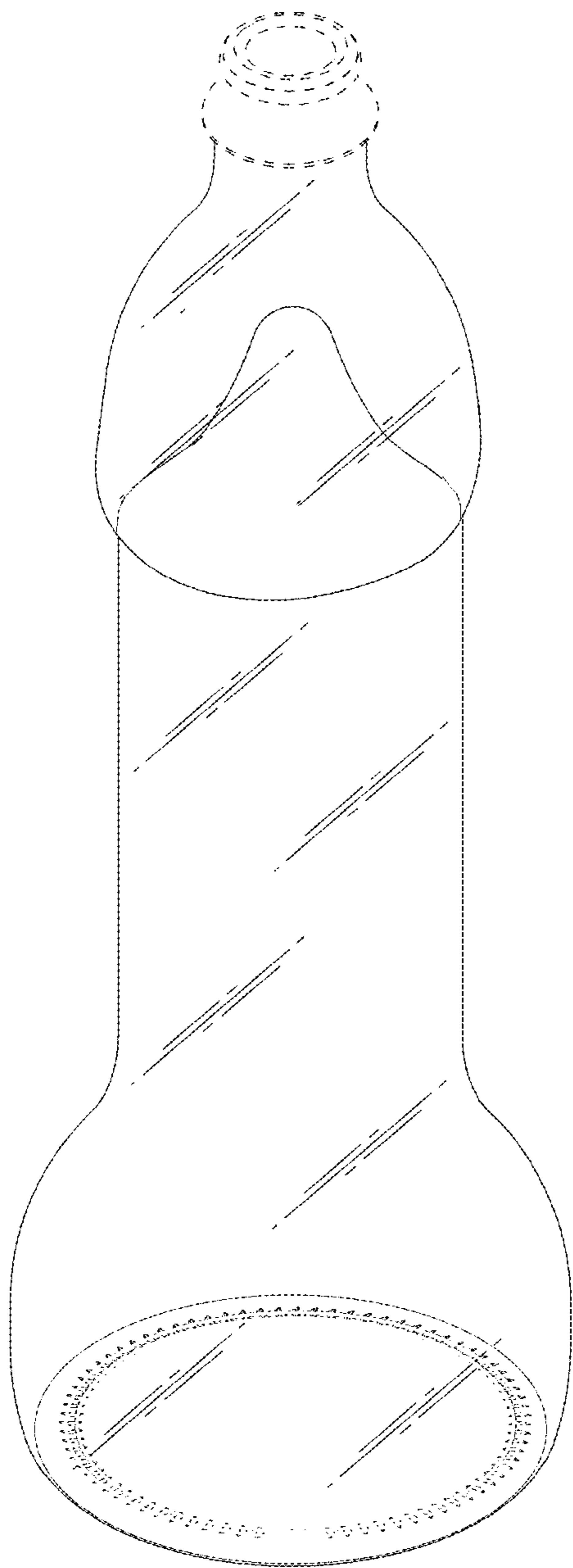


FIG. 9

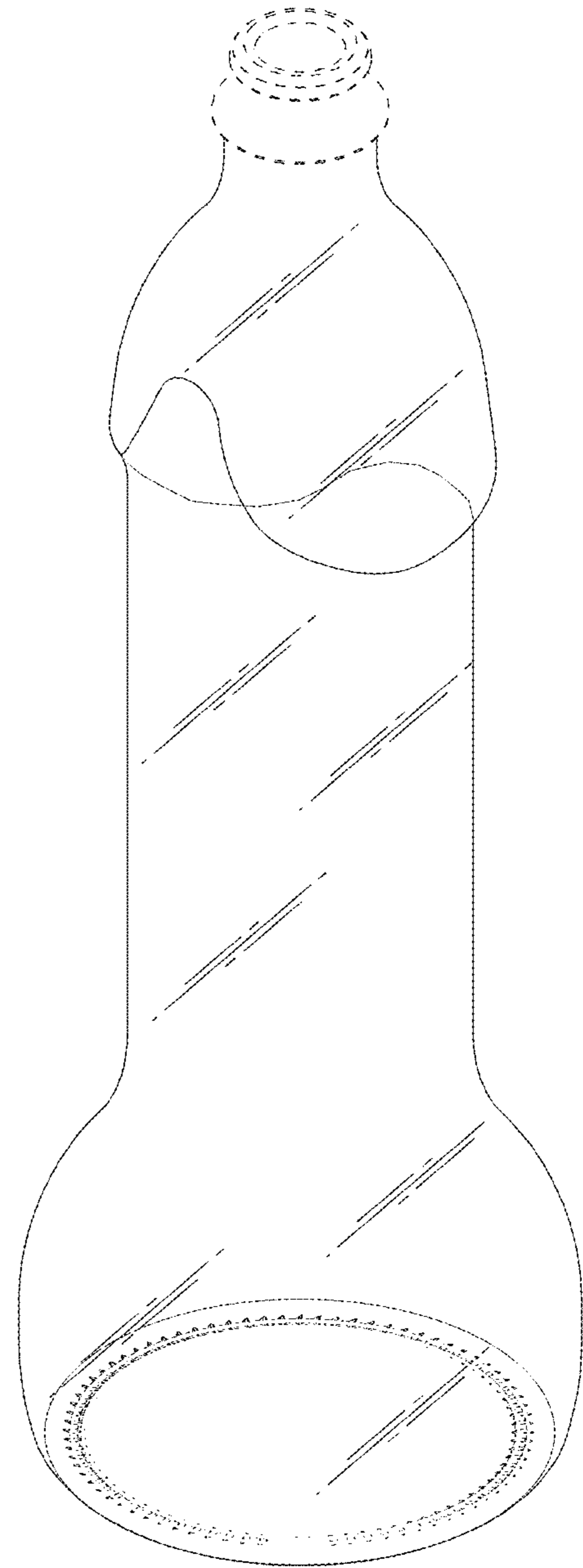


FIG. 10

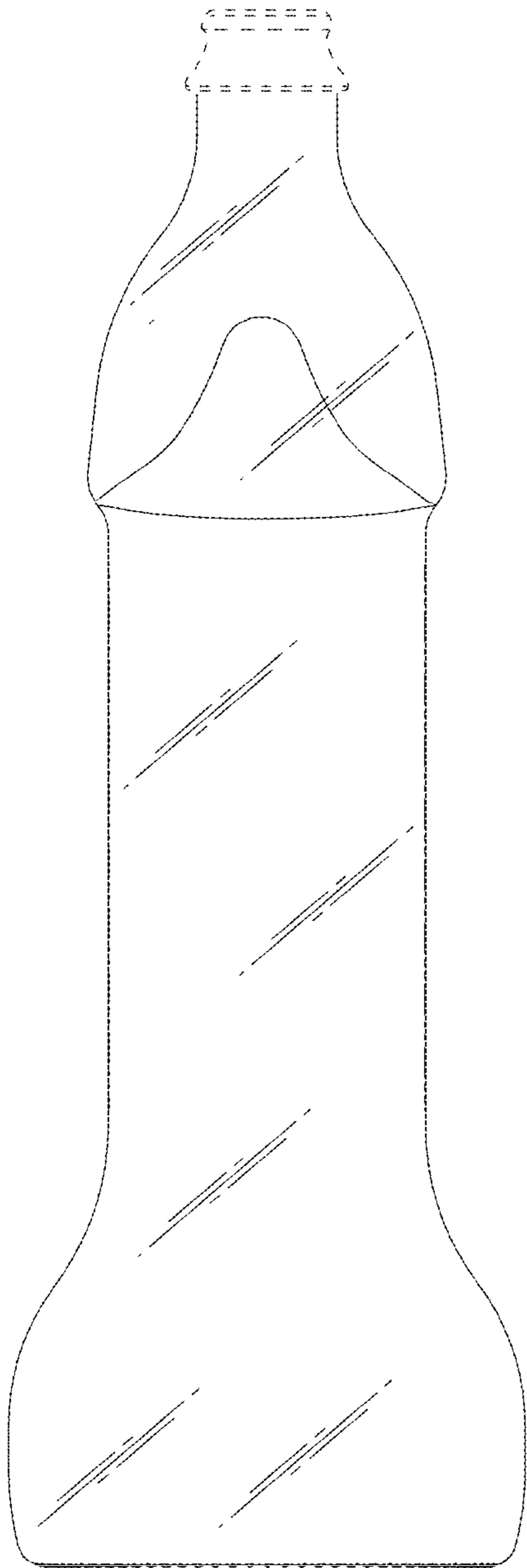


FIG. 11

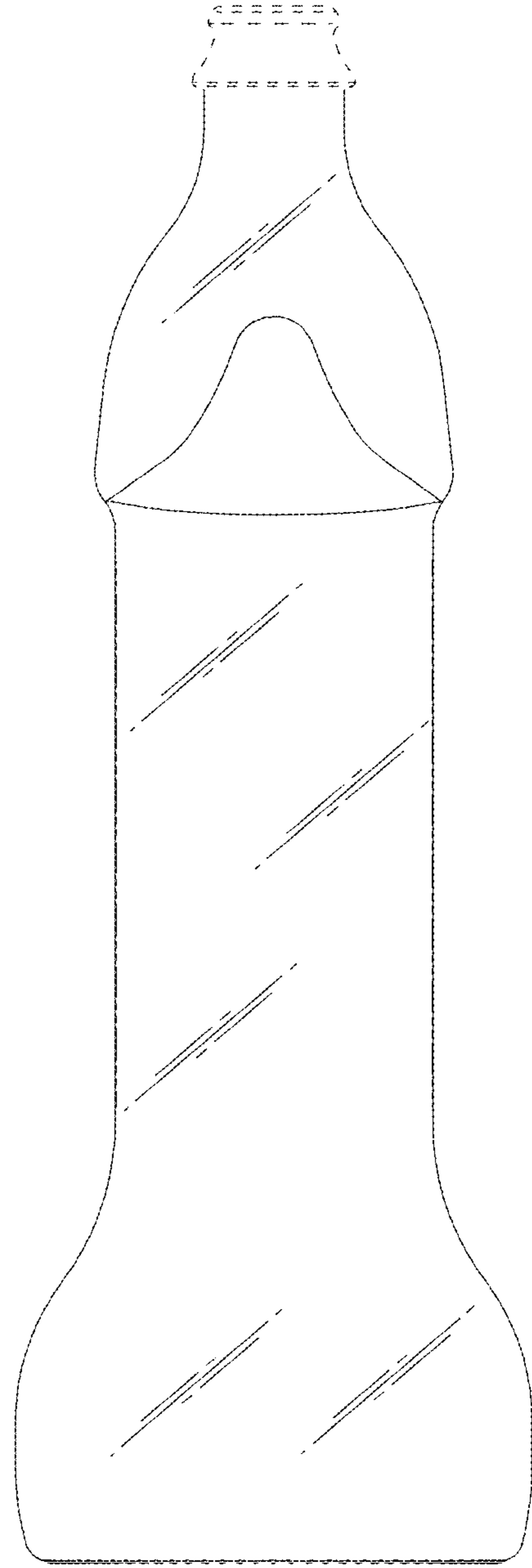


FIG. 12



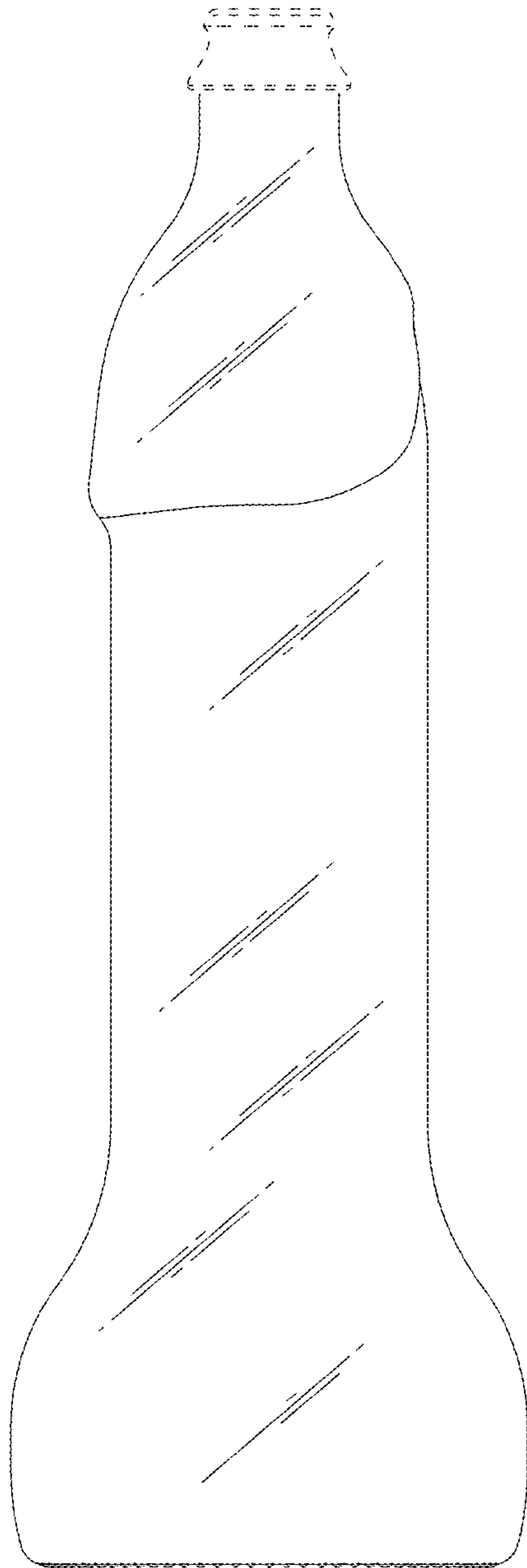


FIG. 13

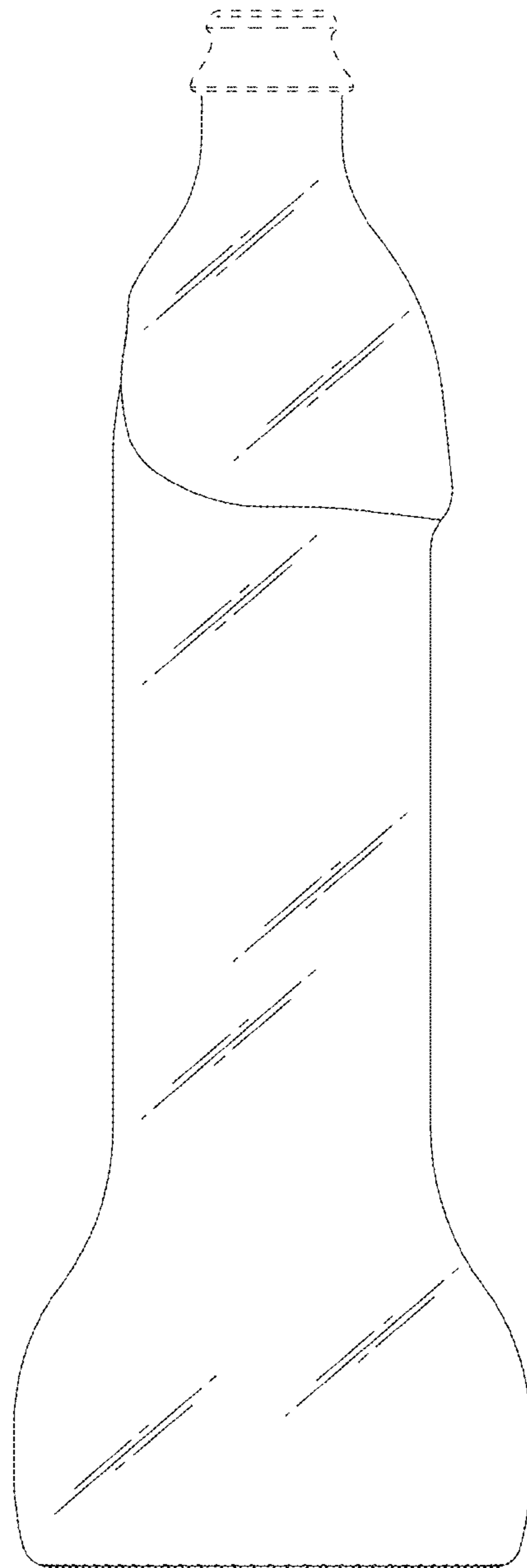


FIG. 14