



US0D1047421S

(12) **United States Design Patent** (10) **Patent No.:** **US D1,047,421 S**
Adair (45) **Date of Patent:** **** Oct. 22, 2024**

(54) **BACKPACK**

FOREIGN PATENT DOCUMENTS

(71) Applicant: **Adam Adair**, Batesville, AR (US)

CN 304485510 * 2/2018
WO WO-D224656-001 * 11/2022

(72) Inventor: **Adam Adair**, Batesville, AR (US)

OTHER PUBLICATIONS

(**) Term: **15 Years**

(21) Appl. No.: **29/855,339**

(22) Filed: **Sep. 30, 2022**

(51) **LOC (14) Cl.** **03-01**

(52) **U.S. Cl.**
USPC **D3/216; D3/217**

(58) **Field of Classification Search**
USPC D3/216–217, 225, 226, 230–232,
D3/252–254, 262, 285–289, 303,
D3/321–328; D9/703–707, 710
CPC A45F 3/02; A45F 3/04; A45F 3/08; A45F
3/10; A45F 3/14; A45F 3/042; A45F
3/047; A45F 2200/00; A45F 4/02
See application file for complete search history.

Angel kiss backpack, posted at amazon.com, first available Jun. 4, 2020, retrieved on Dec. 20, 2023, online, <https://www.amazon.com/Backpack-Leather-Backpacks-Shoulder-89BROWN/dp/B089NJ37F1> (Year: 2020).*
Lafarbe laptop backpack, posted at amazon.com, first available Sep. 17, 2023, retrieved on Dec. 20, 2023, online, <https://www.amazon.com/LAFARBE-Backpack-Business-Convertible-Charging/dp/B0C6QXYTCS> (Year: 2023).*
Poiugoya leather backpack, posted at amazon.com, first available Jul. 21, 2023, retrieved on Dec. 20, 2023, online, <https://www.amazon.com/dp/B0CCDSJM5S?th=1> (Year: 2023).*
Zocilor fashion backpack, posted at amazon.com, first available Apr. 11, 2023, retrieved on Dec. 20, 2023, online, <https://www.amazon.com/dp/B083LC7XZD?th=1> (Year: 2023).*

* cited by examiner

Primary Examiner — John R Yeh
Assistant Examiner — Dustin Andrew Griffith
(74) *Attorney, Agent, or Firm* — The Buche Law Firm, P.C.; Bryce A. Johnson; John Buche

(56) **References Cited**

(57) **CLAIM**

U.S. PATENT DOCUMENTS

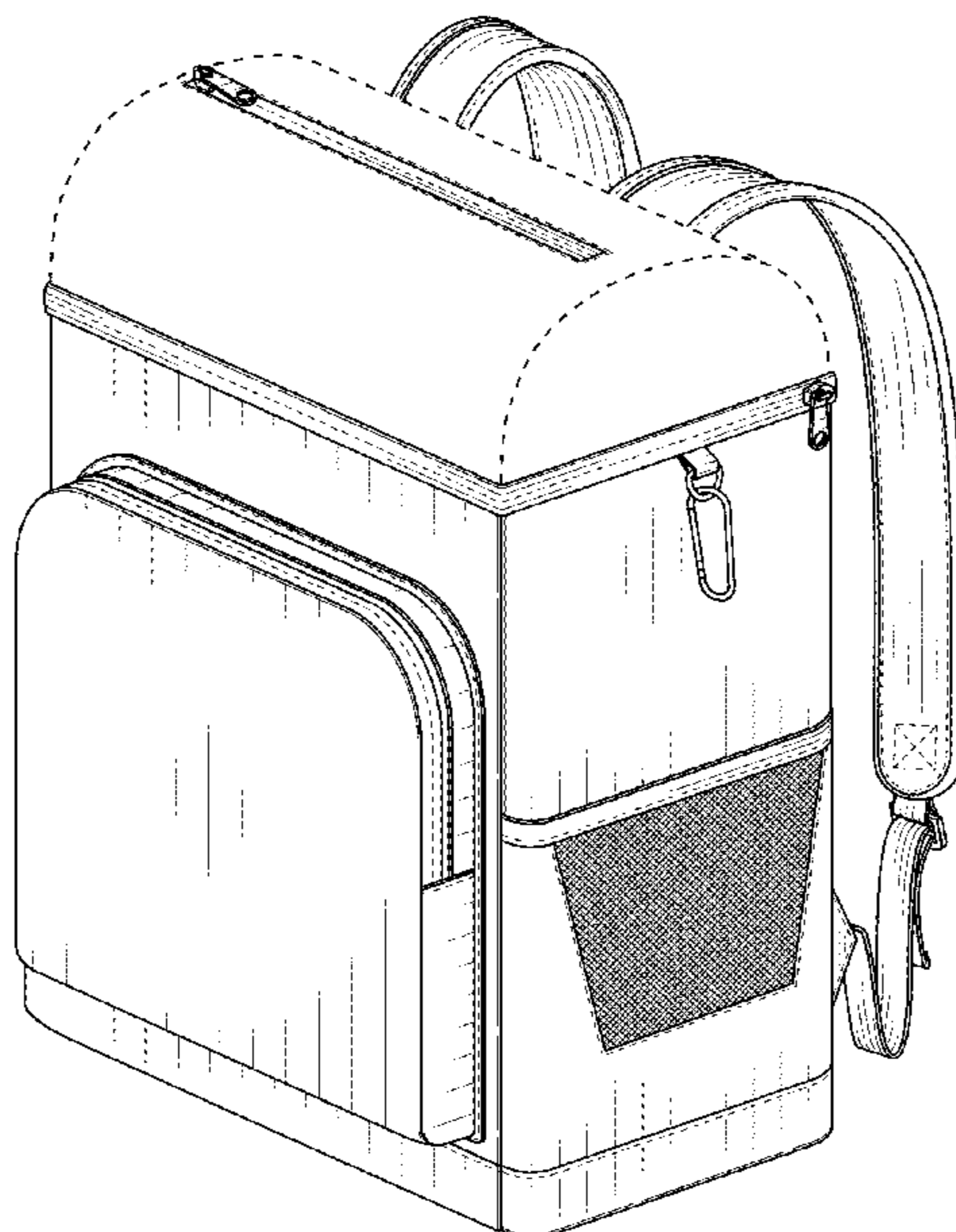
The ornamental design for a backpack as shown and described.

D435,962 S *	1/2001	Kohlhase	D3/217
D530,515 S *	10/2006	Suppencig	D3/289
D851,393 S *	6/2019	Carter	D3/217
D867,751 S *	11/2019	Seip	D3/217
D883,660 S *	5/2020	He	D3/217
D895,272 S *	9/2020	Zhitian	D3/217
D896,504 S *	9/2020	Li	D3/217
D941,014 S *	1/2022	Ren	D3/217
D954,430 S *	6/2022	Li	D3/217
D970,299 S *	11/2022	Munie	D3/216
D975,994 S *	1/2023	Guo	D3/217
D977,825 S *	2/2023	Dejadon	D3/217
2019/0174891 A1 *	6/2019	Nieves	A45C 3/06

DESCRIPTION

FIG. 1 is a perspective view of a backpack;
FIG. 2 is a back view of a backpack;
FIG. 3 is a front view of a backpack;
FIG. 4 is a left side view of a backpack;
FIG. 5 is a right side view of a backpack; and,
FIG. 6 is a top view of a backpack.
Broken lines depict portions of the backpack that form no part of the claimed design.

1 Claim, 6 Drawing Sheets



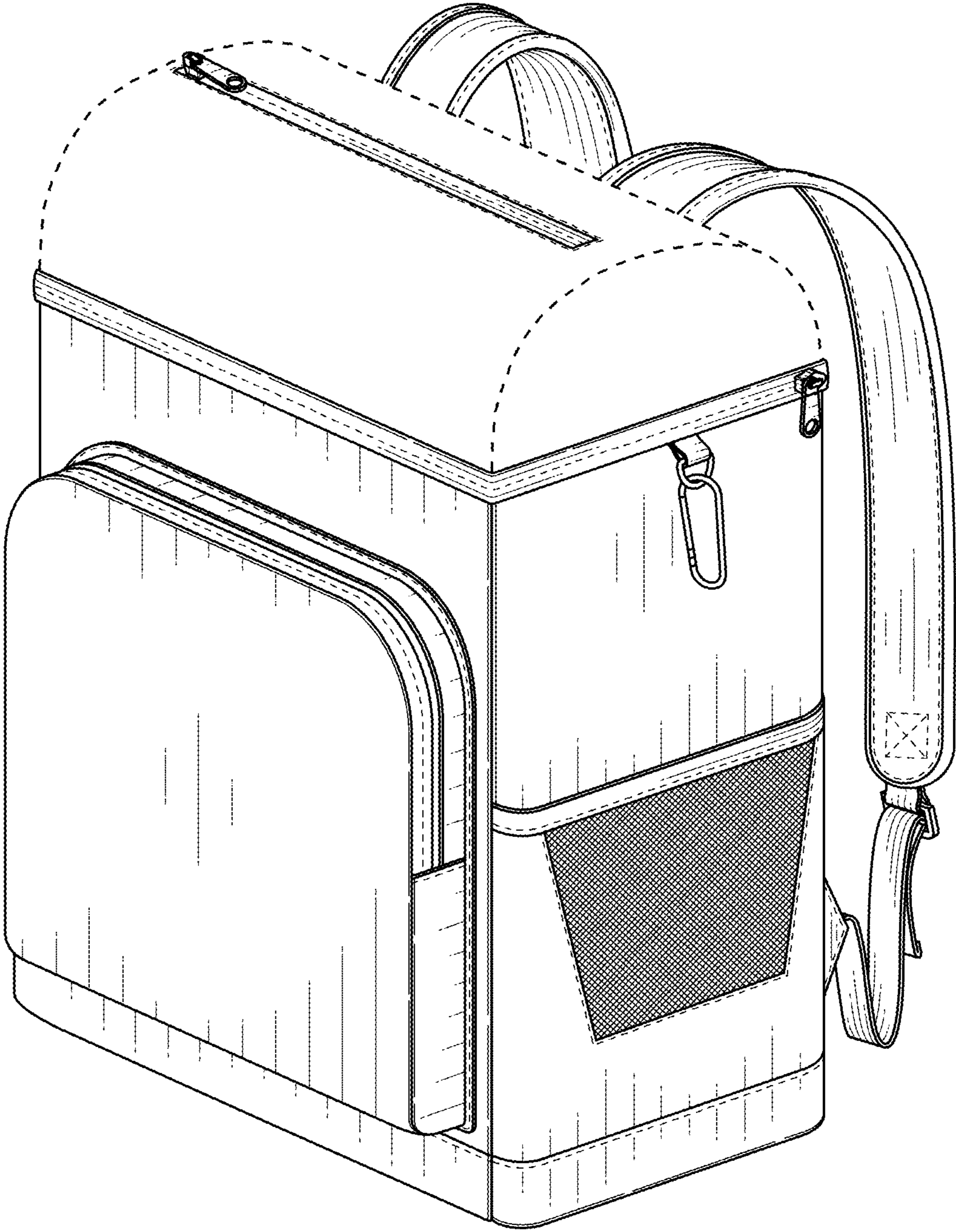


FIG. 1

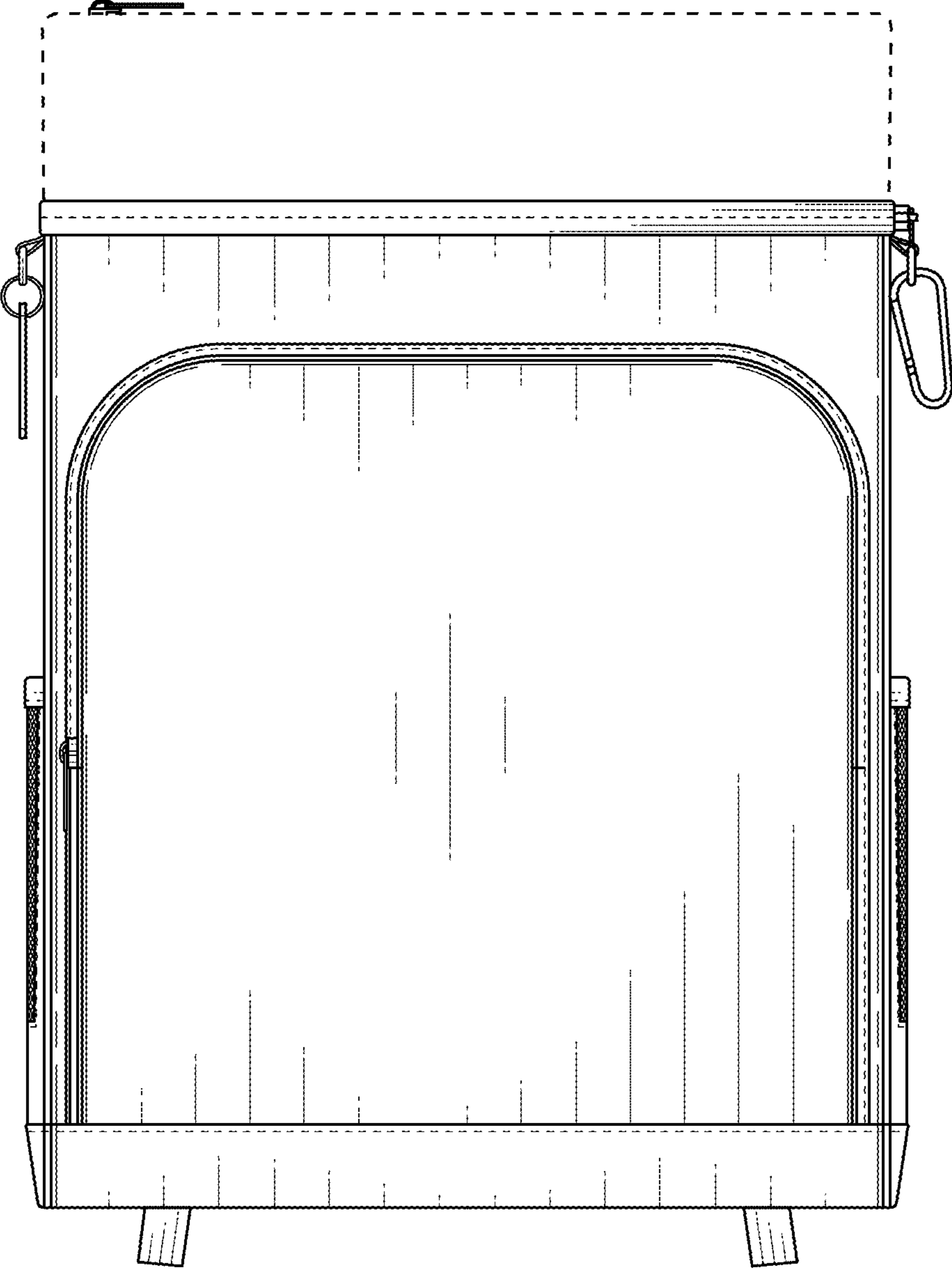


FIG. 2

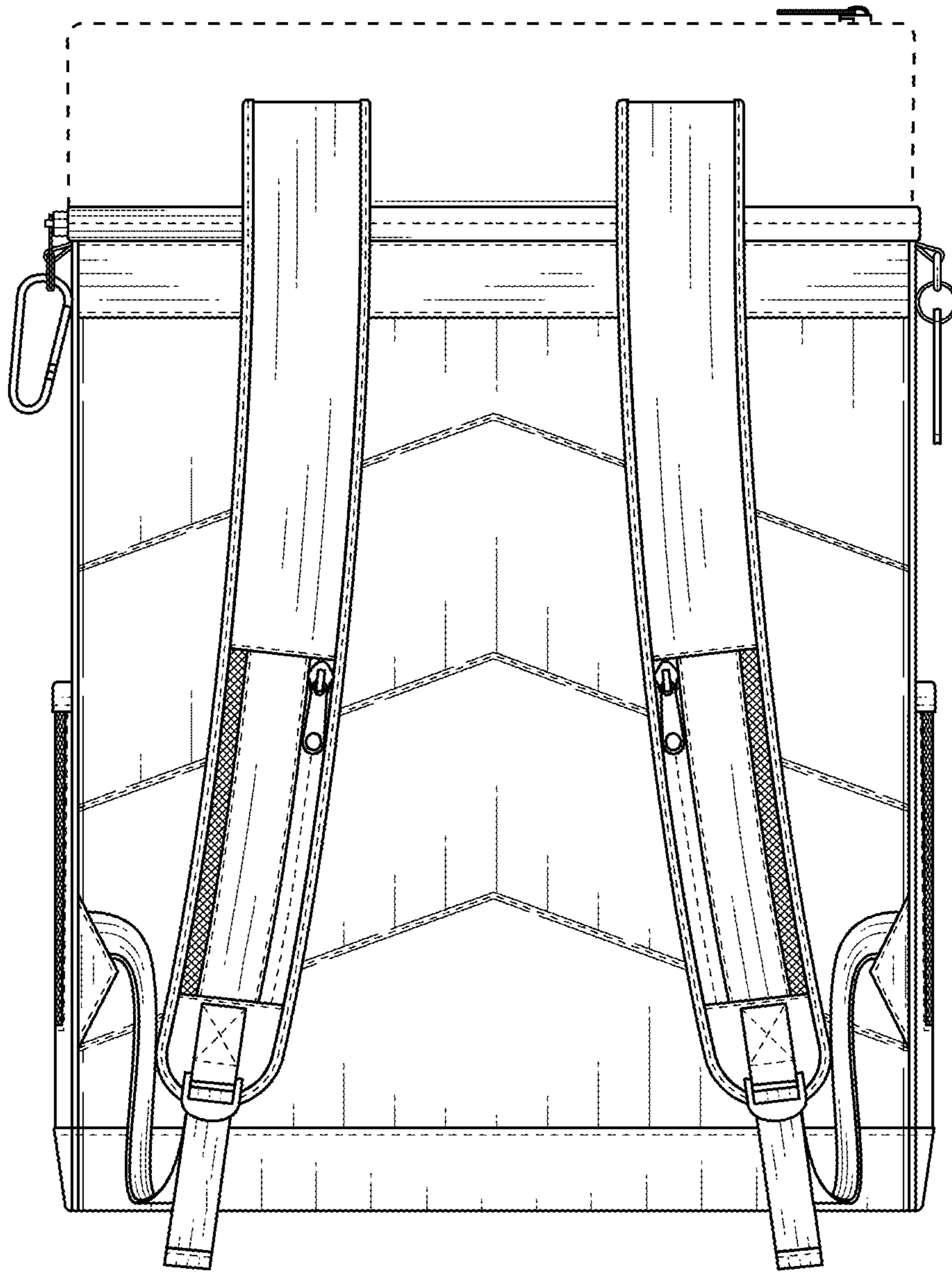


FIG. 3

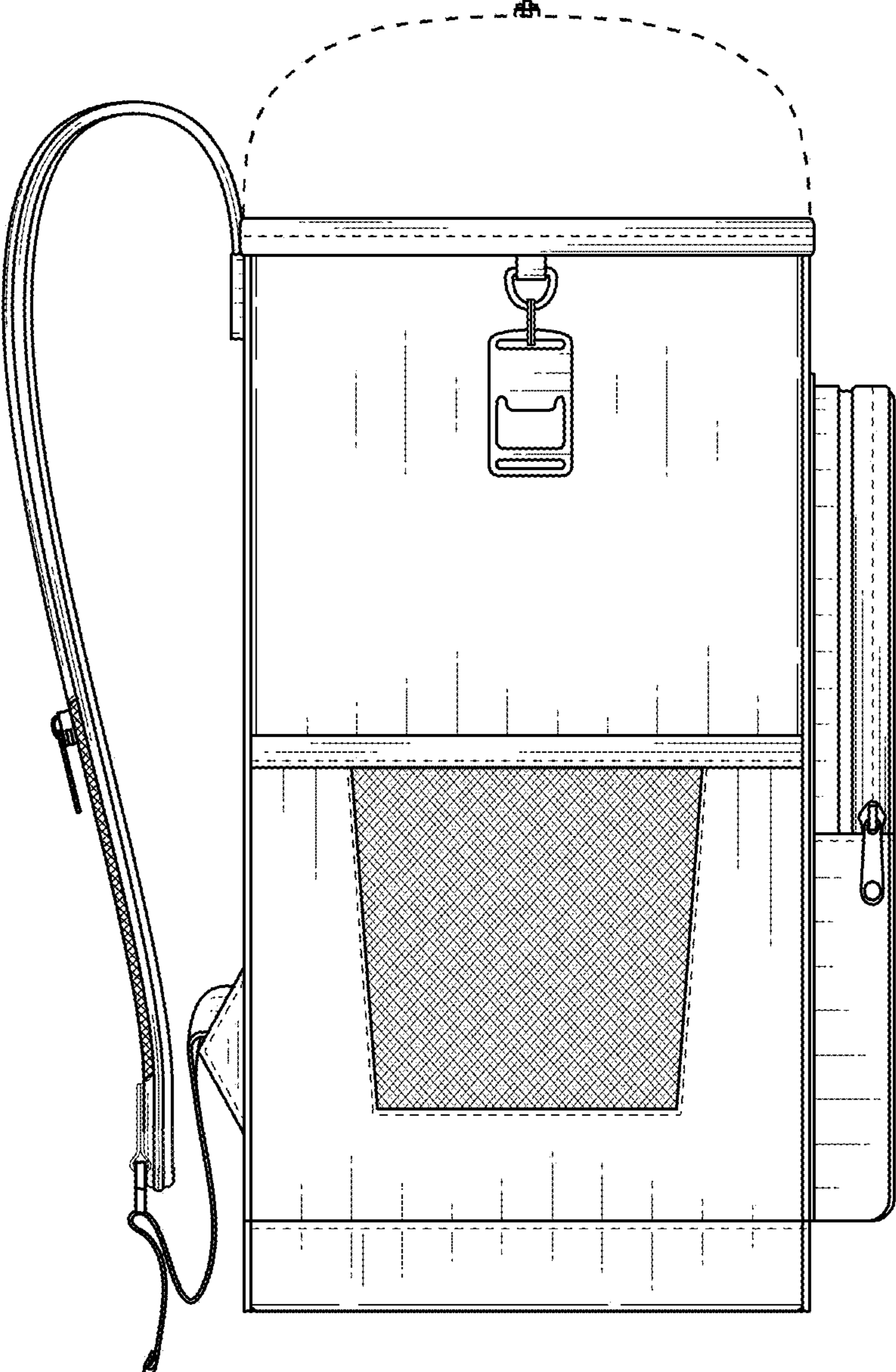


FIG. 4

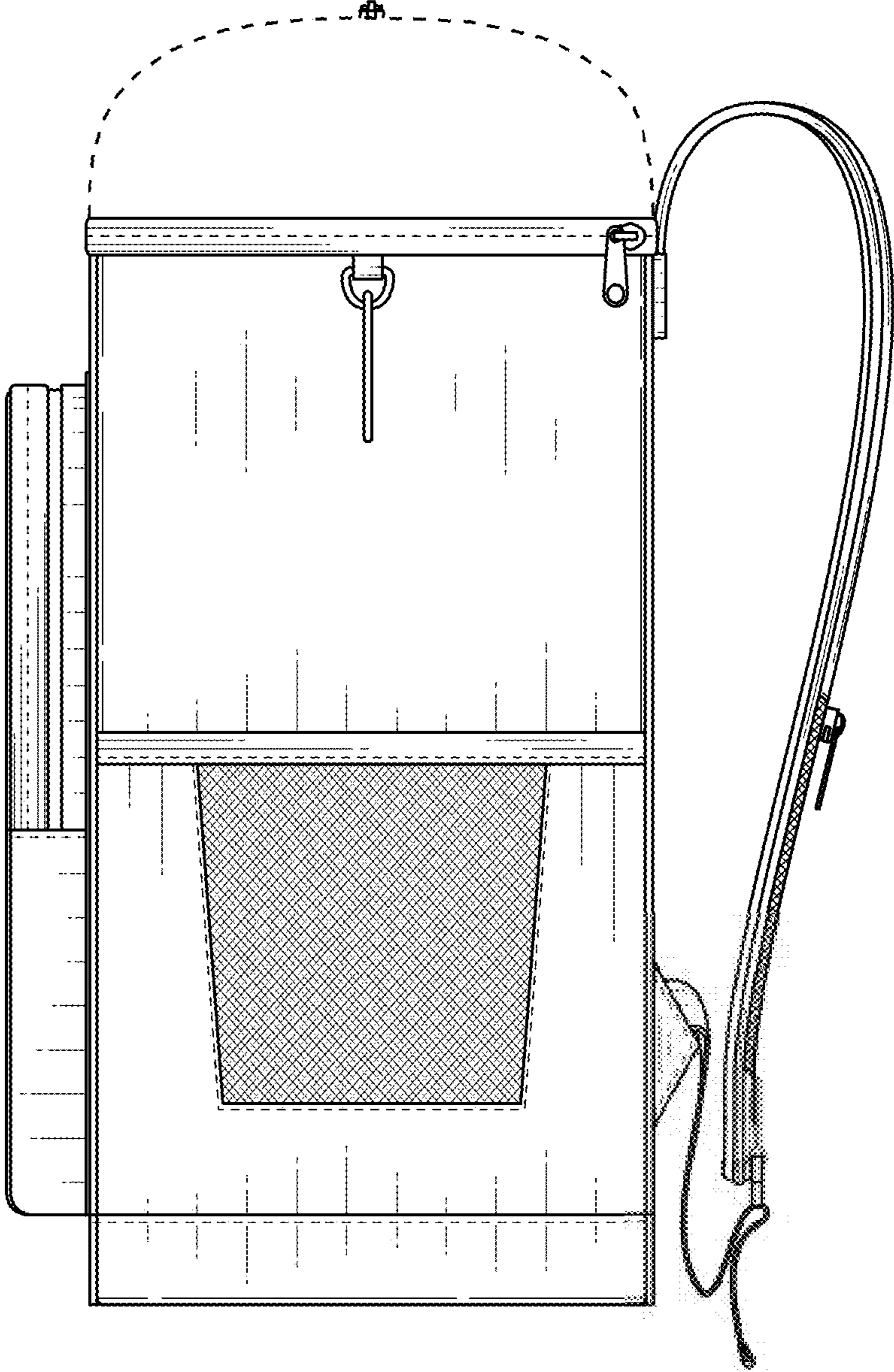


FIG. 5

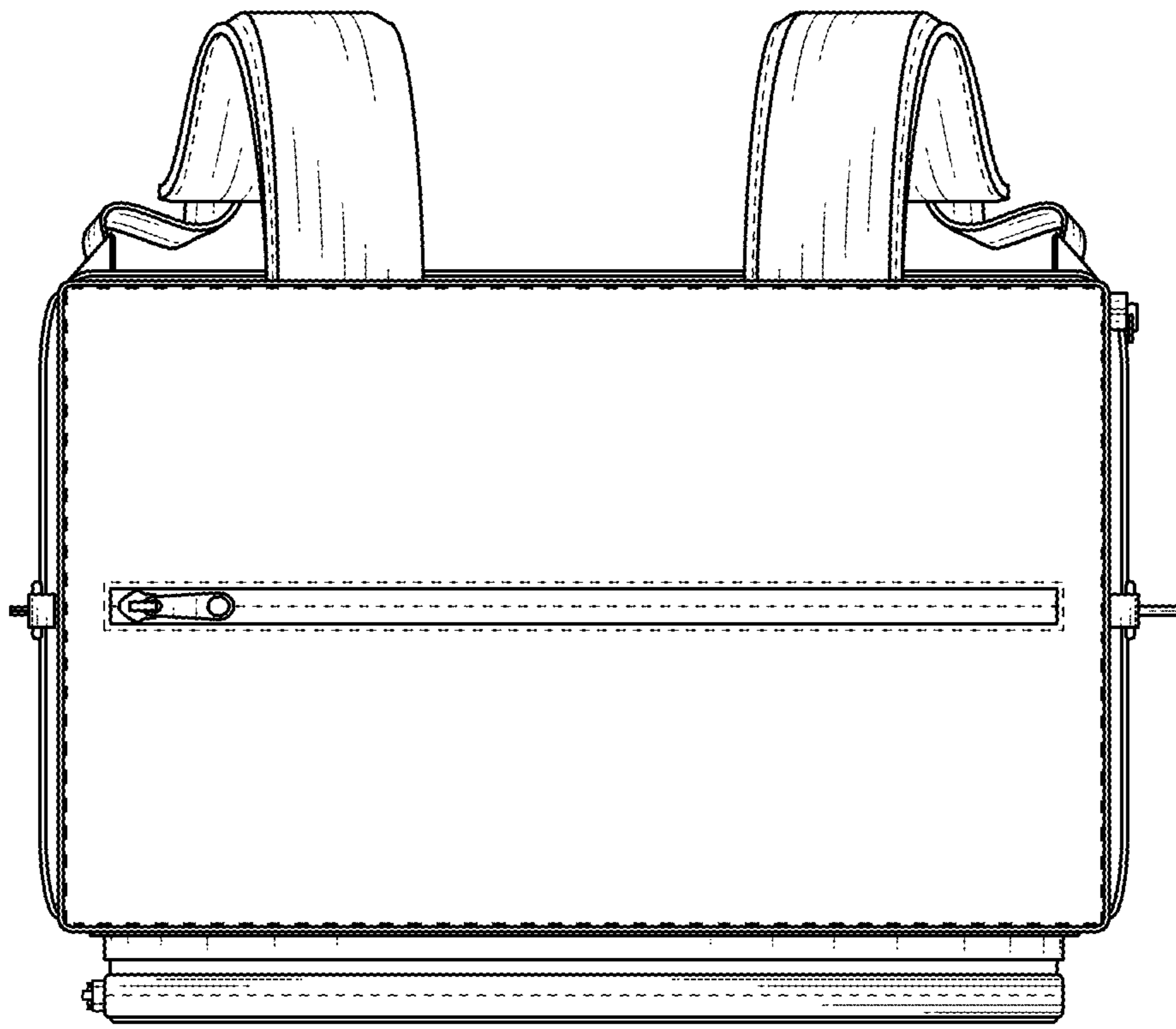


FIG. 6