



US0D1059799S

(12) **United States Design Patent** (10) **Patent No.:** **US D1,059,799 S**  
**Mone** (45) **Date of Patent:** **\*\* Feb. 4, 2025**

(54) **DRAWSTRING FOR CLOTHING**

(57) **CLAIM**

(71) Applicant: **Madison Mone**, Phoenix, AZ (US)  
(72) Inventor: **Madison Mone**, Phoenix, AZ (US)  
(73) Assignee: **Branded Bills, LLC**, Mesa, AZ (US)  
(\*\*) Term: **15 Years**

The ornamental design for a “drawstring for clothing” as shown and described.

(21) Appl. No.: **29/938,044**  
(22) Filed: **Apr. 18, 2024**  
(51) **LOC (15) Cl.** ..... **02-02**  
(52) **U.S. Cl.**  
USPC ..... **D2/978**  
(58) **Field of Classification Search**  
USPC ..... D2/978, 742; D3/215, 218  
(Continued)

**DESCRIPTION**

FIG. 1 is a perspective view of a drawstring for clothing, shown with environment of a hooded sweatshirt;  
FIG. 2 is a perspective view of a drawstring for clothing, shown with environment of short pants;  
FIG. 3 is a top perspective view of a midpoint the drawstring for clothing where the midpoint is shown in circle 3 of FIGS. 1 or 2;  
FIG. 4 is a bottom perspective view of the midpoint of the drawstring for clothing shown in circle 3 of FIGS. 1 or 2;  
FIG. 5 is a top perspective view of an end of the drawstring for clothing where the end is shown in circle 5 of FIGS. 1 or 2;  
FIG. 6 is a top perspective view of another end of the drawing for clothing where this end is shown in circle 6 of FIGS. 1 or 2;  
FIG. 7 is a bottom perspective view of an end of the drawstring for clothing where the end is shown in circle 5 of FIGS. 1 or 2; and,  
FIG. 8 is a bottom perspective view of another end of the drawing for clothing where this end is shown in circle 6 of FIGS. 1 or 2.  
Broken lines illustrating portion of the drawstring form no part of the claimed design while other broken lines illustrate either environmental features and also form no part of the claimed design or circles showing the portions of the drawstring for clothing illustrated in the associated figures and form no part of the claimed design.  
A “characteristic features” statement describing a particular feature of the design that is considered by applicant to be a feature of novelty or nonobviousness over the prior art is a drawstring for clothing with an elliptical cylinder ornament at a midpoint and ends of the drawstring.

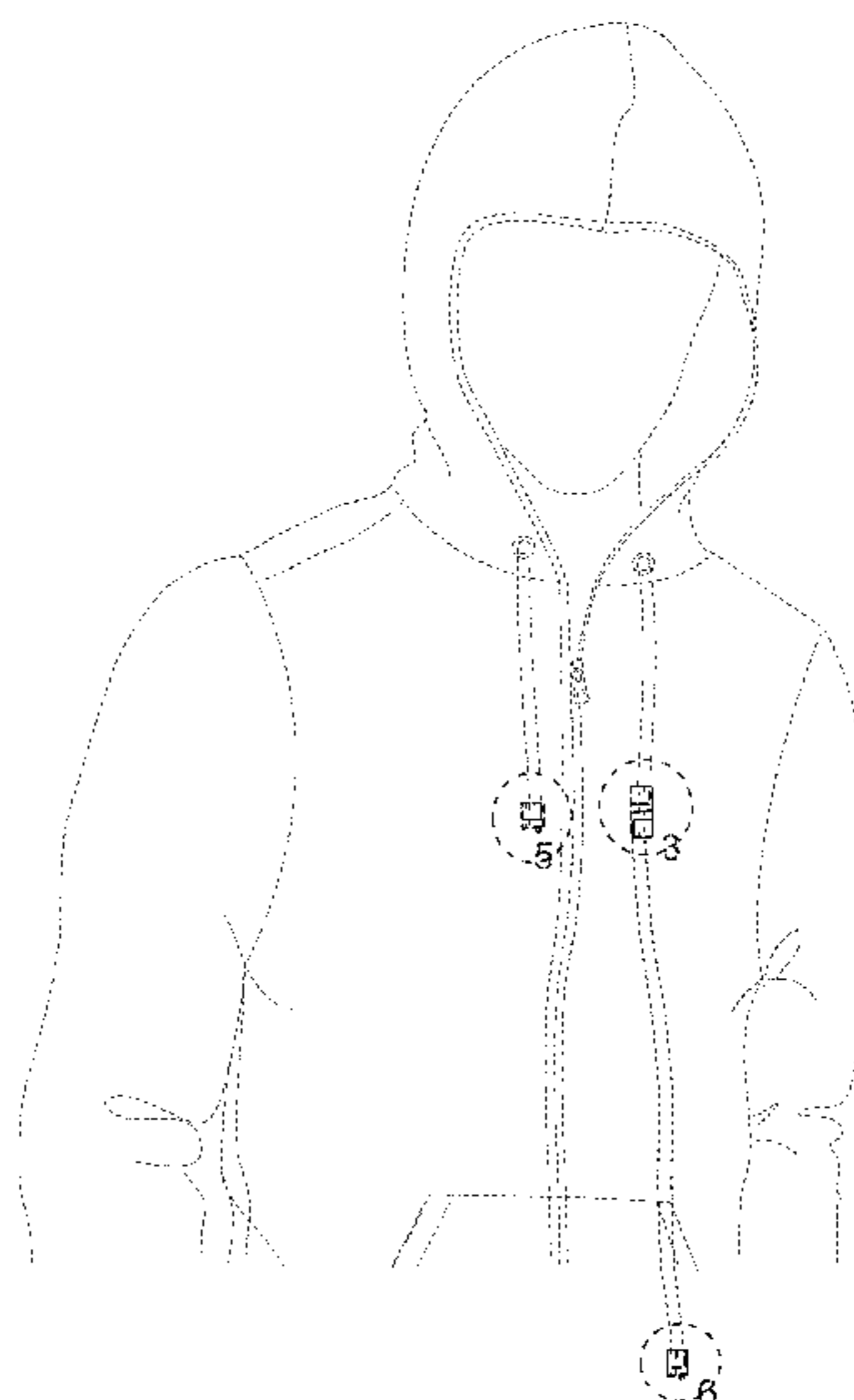
(56) **References Cited**  
**U.S. PATENT DOCUMENTS**  
2,049,932 A 8/1936 Voit et al.  
2,451,247 A 10/1948 Sims  
(Continued)

**FOREIGN PATENT DOCUMENTS**  
WO 2020/122824 A1 6/2020

**OTHER PUBLICATIONS**  
Breakaway Lanyards for ID Badges by Specialist ID, posted to amazon.com. Available Date: Aug. 4, 2017 [site visited Jun. 26, 2024] Available: <<https://www.amazon.in/25-Pack-Breakaway-Lanyards-Specialist/dp/B072BWV23N?th=1>> (Year: 2017).\*  
(Continued)

*Primary Examiner* — Kevin K Rudzinski  
(74) *Attorney, Agent, or Firm* — The Buche Law Firm, P.C.; Bryce A. Johnson; John K. Buche

**1 Claim, 6 Drawing Sheets**



(58) **Field of Classification Search**  
 CPC ..... A43C 9/06; A43C 7/00  
 See application file for complete search history.

D1,011,955 S 1/2024 Deng  
 D1,020,225 S 4/2024 Ren  
 D1,022,436 S 4/2024 Zhang  
 2003/0217441 A1\* 11/2003 Eaton ..... A44B 11/25  
 24/115 F

(56) **References Cited**

U.S. PATENT DOCUMENTS

2,861,314 A 11/1958 Applebaum  
 D308,282 S 6/1990 Bergman et al.  
 5,092,018 A \* 3/1992 Seron ..... A44B 11/2584  
 24/3.13  
 D382,503 S 8/1997 Kalbach  
 5,657,557 A 8/1997 Hull et al.  
 D438,094 S 2/2001 Ishii  
 D479,393 S 9/2003 Weitzman  
 6,709,019 B2 3/2004 Parrott et al.  
 D591,037 S 4/2009 Ghee  
 D615,731 S 5/2010 Oneto, Sr.  
 7,788,774 B1 \* 9/2010 Cravey ..... F16B 7/20  
 63/3.1  
 D684,542 S 6/2013 Ledesma  
 D756,107 S 5/2016 Votel et al.  
 9,510,648 B2 12/2016 Moreno-Stolz  
 D781,570 S 3/2017 Andersen et al.  
 10,052,235 B2 8/2018 Andersen et al.  
 D863,754 S 10/2019 Baker, IV et al.  
 D907,351 S 1/2021 Wu  
 D907,352 S 1/2021 Wu  
 D907,353 S 1/2021 Wu  
 D907,354 S 1/2021 Wu  
 D931,575 S 9/2021 Rodriguez et al.  
 D949,552 S 4/2022 Lan  
 D963,320 S 9/2022 Li  
 D977,828 S \* 2/2023 Iv ..... D3/218  
 D998,953 S 9/2023 Xi

2004/0226151 A1 11/2004 St-Lousi et al.  
 2006/0272137 A1 12/2006 Dandie  
 2009/0077778 A1 3/2009 Quiroz et al.  
 2014/0215770 A1\* 8/2014 Levesque ..... A43C 1/06  
 24/712  
 2017/0202312 A1\* 7/2017 Finley ..... A43C 9/06  
 2018/0055148 A1\* 3/2018 Finley ..... A43C 9/06  
 2021/0204627 A1\* 7/2021 Linchitz ..... A41D 3/005  
 2024/0180296 A1\* 6/2024 Tractenberg ..... A43C 9/06

OTHER PUBLICATIONS

100pcs Black Plastic Buckles Lanyard Safety Breakaway Pop Barrel Connectors for Paracord & Ribbon Lanyards, by CooBigo, posted to amazon.com. Available Date: Oct. 18, 2020 [site visited Jun. 26, 2024] Available: <<https://www.amazon.com/100pcs-Breakaway-Connectors-Paracord-FLC090-B/dp/B00PU47FRW?th=1>> (Year: 2020).\*

5 Pcs Reflective Safety First Breakaway Lanyards for ID Badges by Specialist ID, posted to ebay.com. Available Date: Feb. 17, 2023 [site visited Jun. 26, 2024] Available: <<https://www.ebay.com/itm/292312485372>> (Year: 2023).\*

5 Pack—Double Ended Lanyards with Safety Breakaway Clasp by Specialist ID, posted to amazon.com. Available Date: Jul. 23, 2020 [site visited Jun. 26, 2024] Available: <<https://www.amazon.com/Pack-Lanyards-Breakaway-Facemasks-Specialist/dp/B08LMVKPSP?th=1>> (Year: 2020).\*

\* cited by examiner



FIG. 1



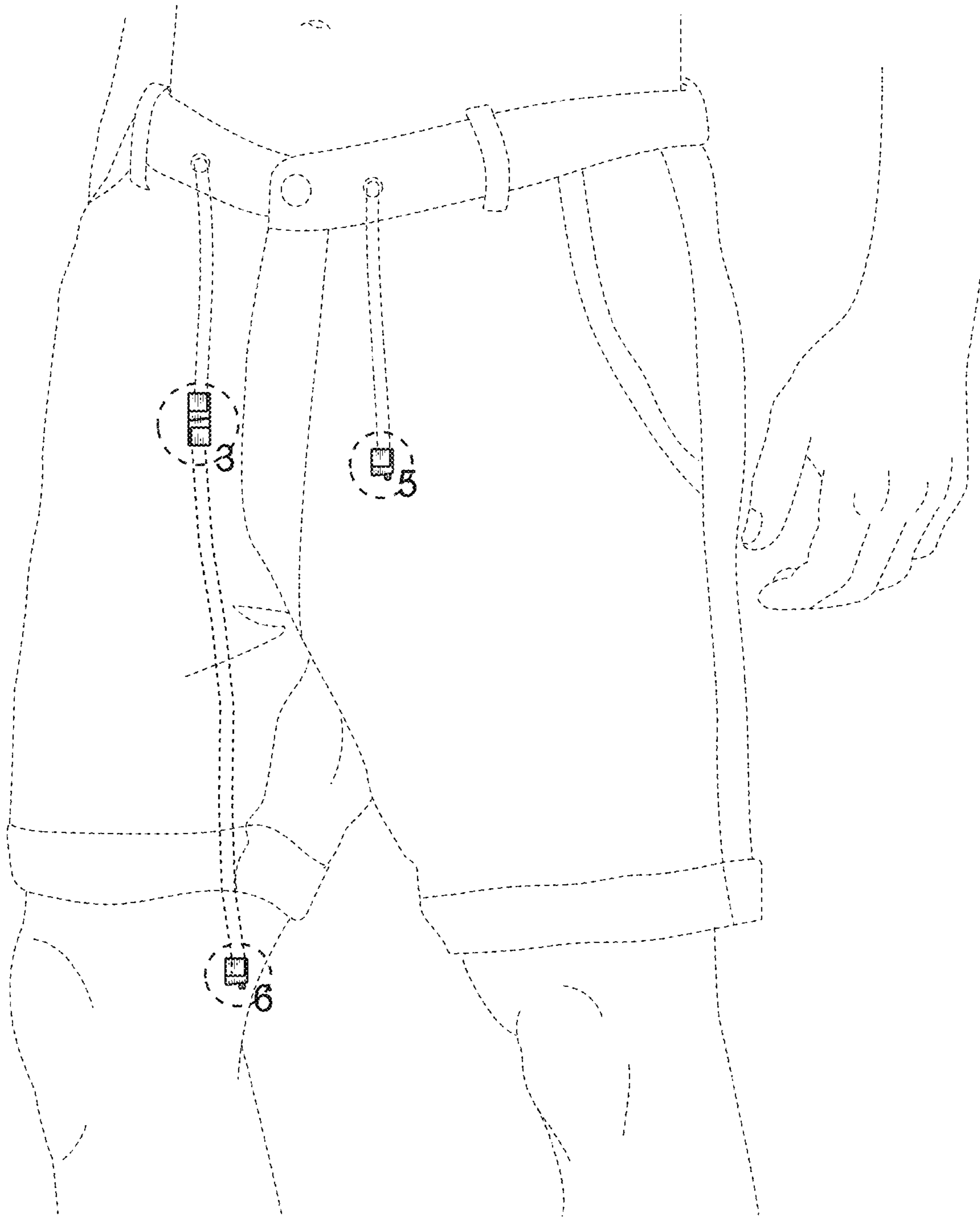


FIG. 2

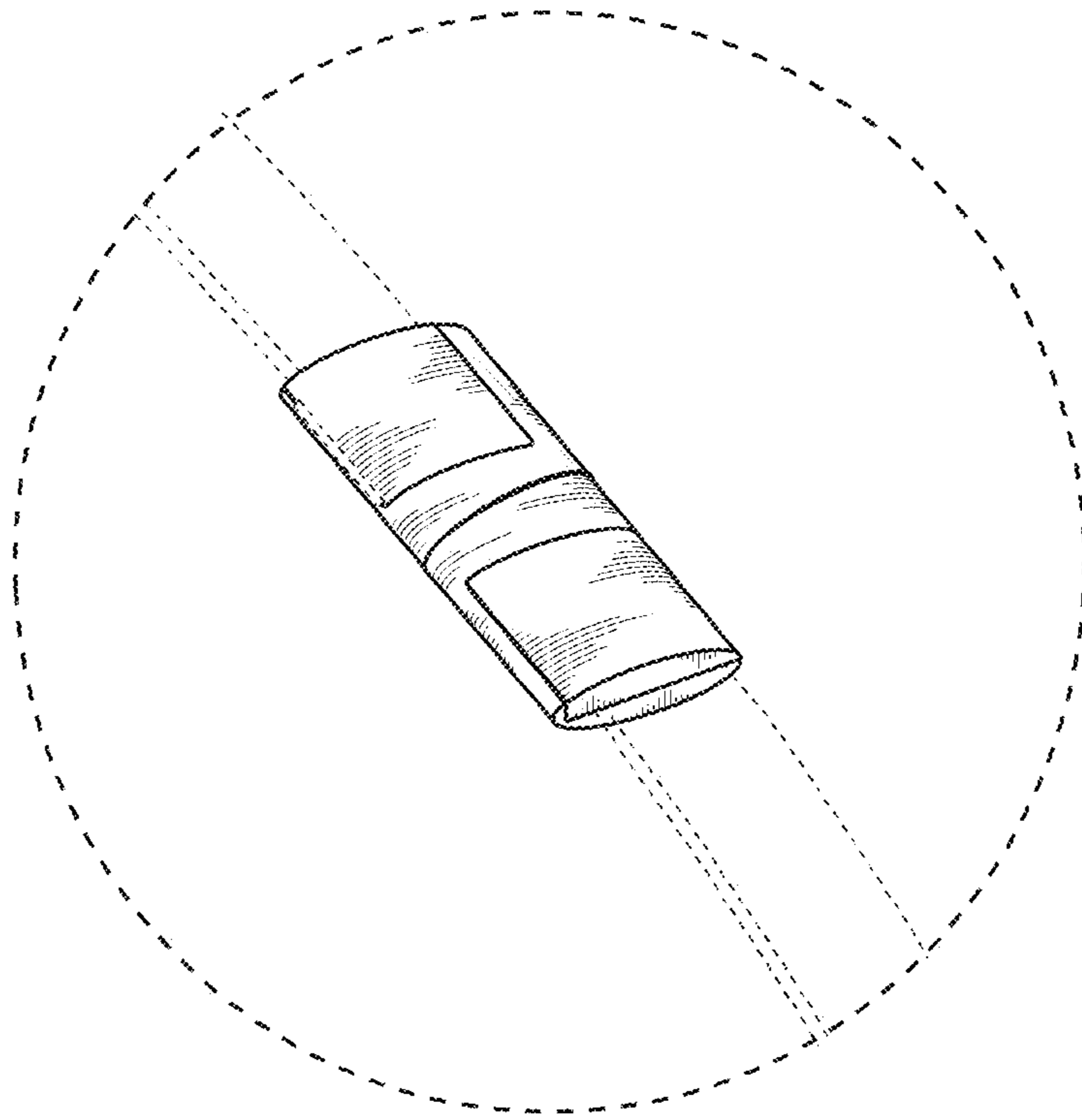


FIG. 3

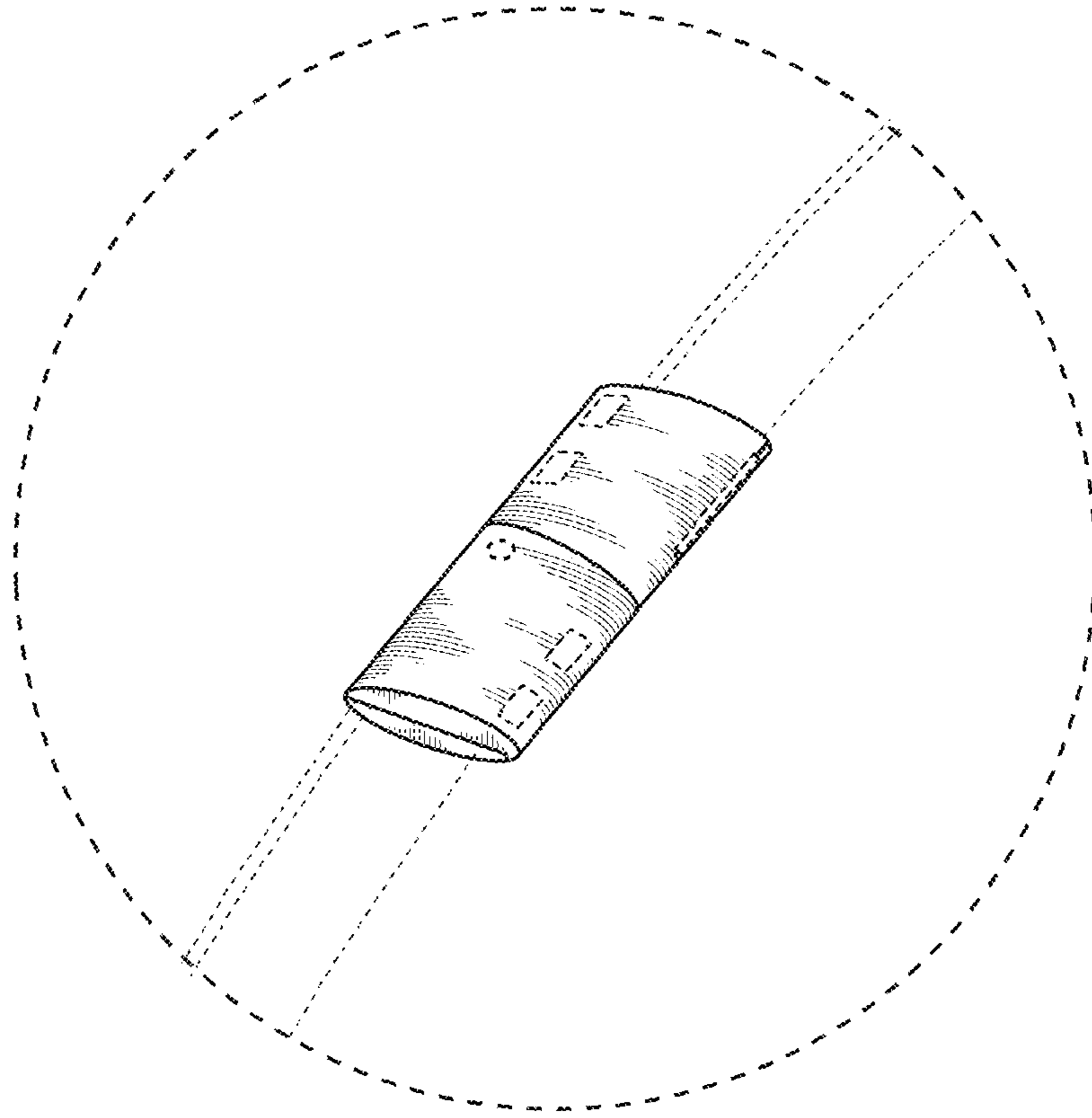


FIG. 4

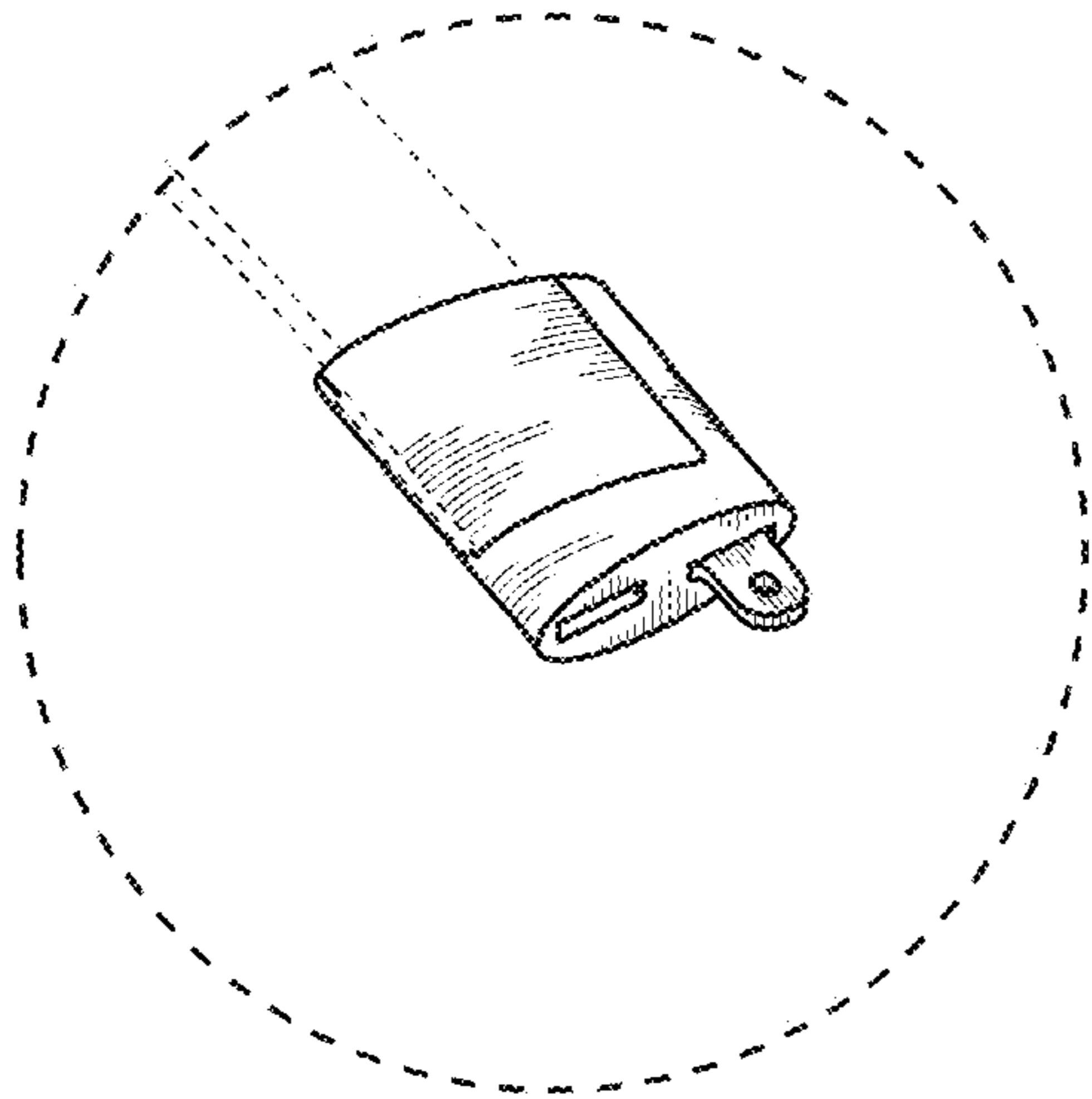


FIG. 5

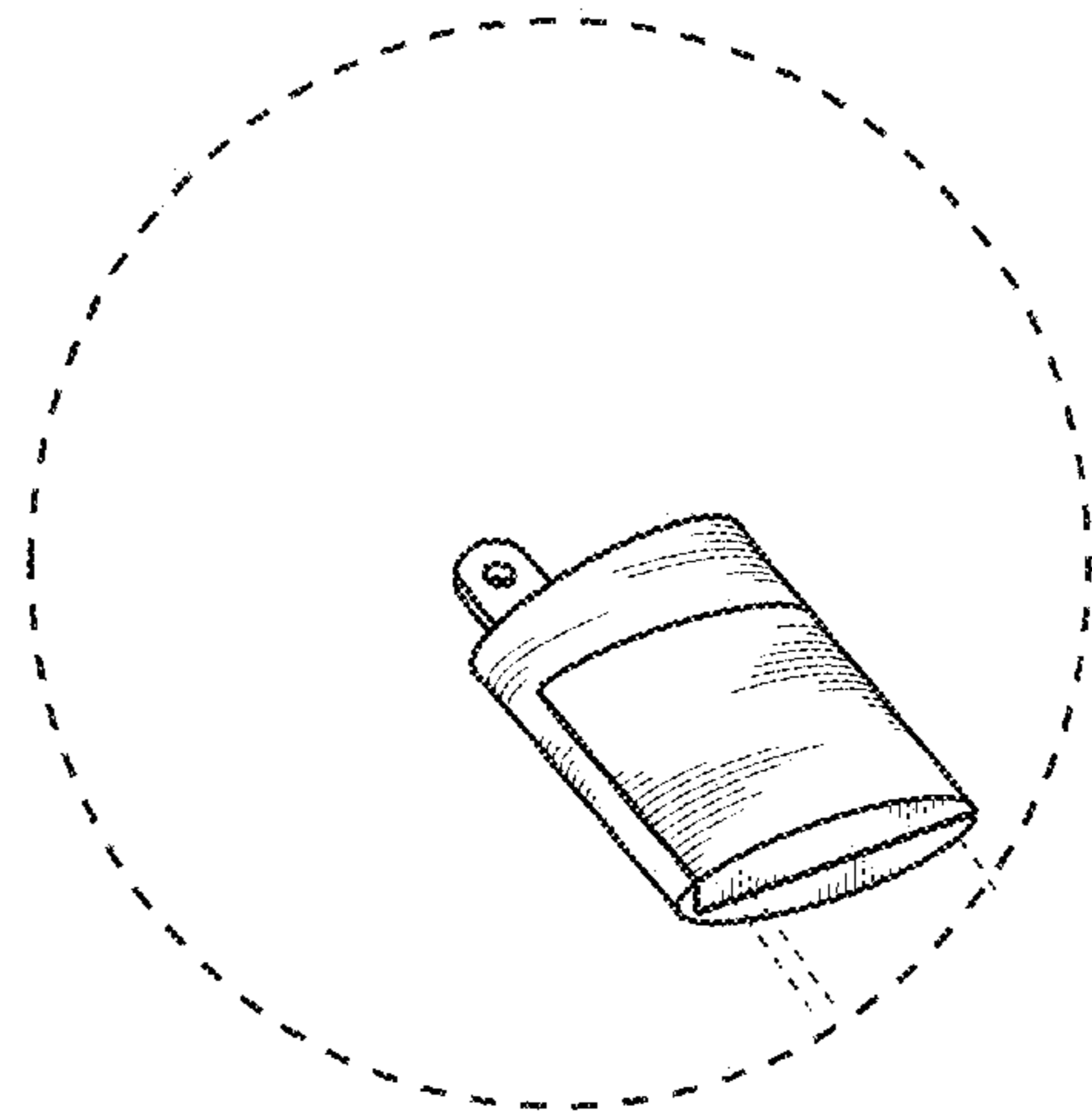


FIG. 6

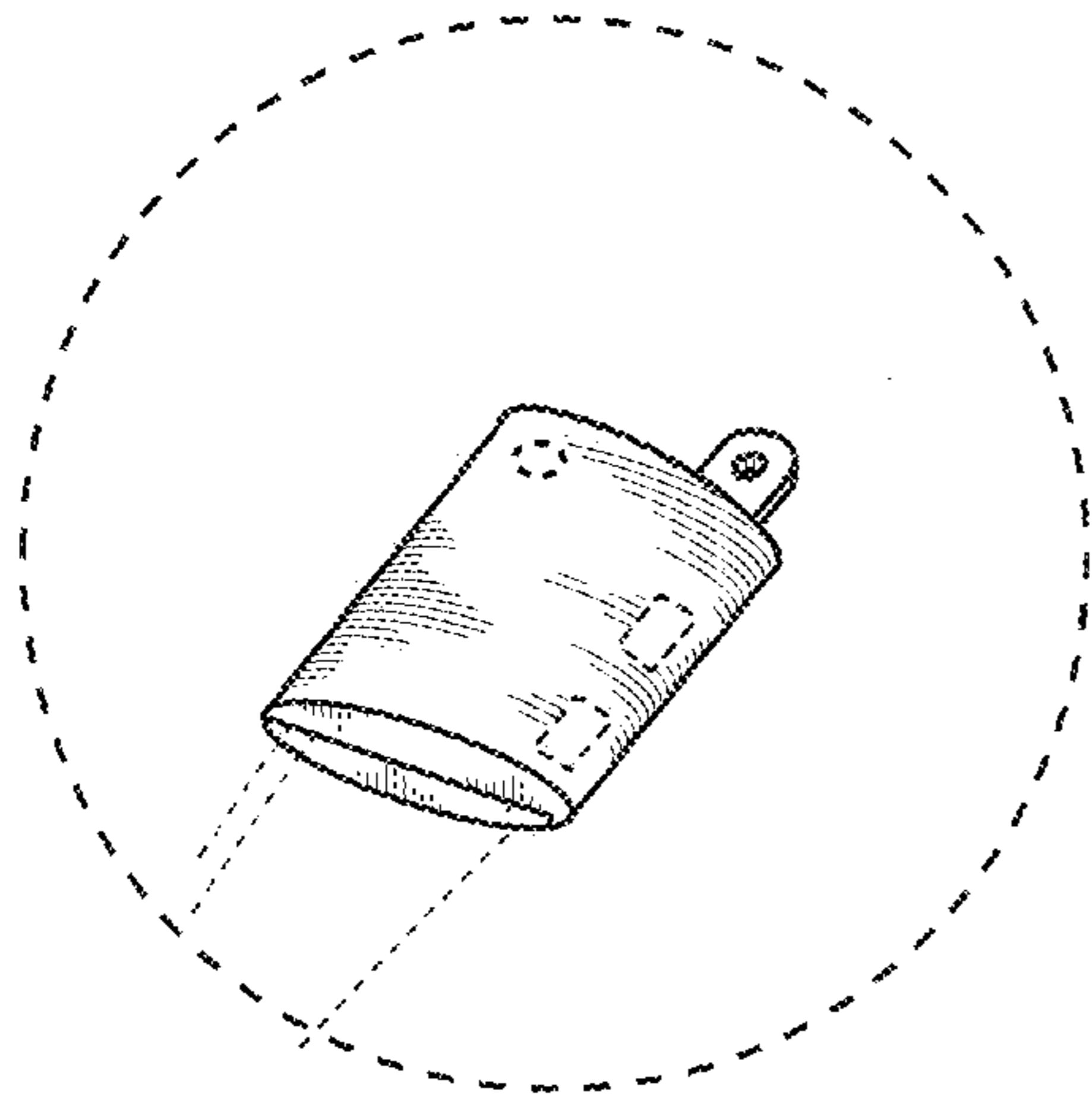


FIG. 7

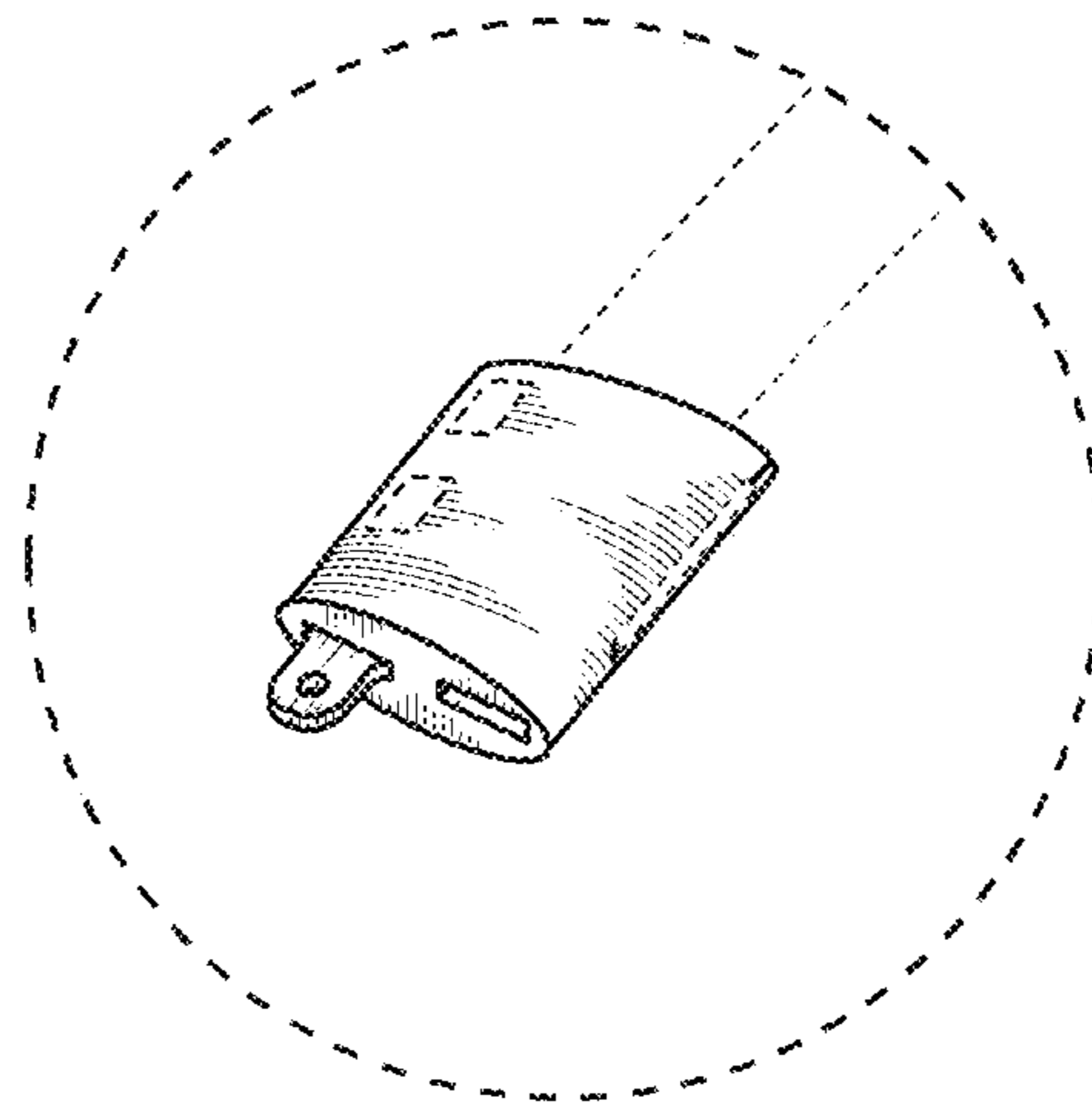


FIG. 8