



US0D1062984S

(12) **United States Design Patent**
Maltsberger

(10) **Patent No.:** **US D1,062,984 S**

(45) **Date of Patent:** **** Feb. 18, 2025**

- (54) **TACTICAL TRAINING TOOL**
- (71) Applicant: **Zane Maltsberger**, San Marcos, CA
(US)
- (72) Inventor: **Zane Maltsberger**, San Marcos, CA
(US)
- (**) Term: **15 Years**
- (21) Appl. No.: **29/889,498**
- (22) Filed: **Apr. 13, 2023**
- (51) **LOC (15) Cl.** **22-99**
- (52) **U.S. Cl.**
USPC **D22/199**
- (58) **Field of Classification Search**
USPC D10/104.1, 114.1, 114.9; D22/199;
D26/37, 38, 40, 42, 43, 75, 79, 137
CPC F21K 2/06; C09K 11/07; G01J 1/48
See application file for complete search history.

- 5,043,851 A * 8/1991 Kaplan F21K 2/06
362/396
- 5,067,051 A * 11/1991 Ladyjensky F21K 2/06
206/219
- D331,889 S * 12/1992 Kaplan D10/114.9
(Continued)

OTHER PUBLICATIONS

Cyalume—9-03680 ChemLight, Amazon Online Product Page. Earliest Publication Date: May 29, 2011. Date Accessed: Apr. 26, 2024. Retrieved from Internet URL: <https://www.amazon.com/Cyalume-ChemLight-Military-Chemical-Sticks/dp/B0052ZASBO?th=1> (Year: 2011).*

(Continued)

Primary Examiner — S. Bryan Reinholdt, Jr.
Assistant Examiner — Kaitlan Walker
(74) *Attorney, Agent, or Firm* — The Buche Law Firm, P.C.; John K. Buche; Bryce A. Johnson

(57) **CLAIM**

The ornamental design for a tactical training tool, as shown and described.

(56) **References Cited**

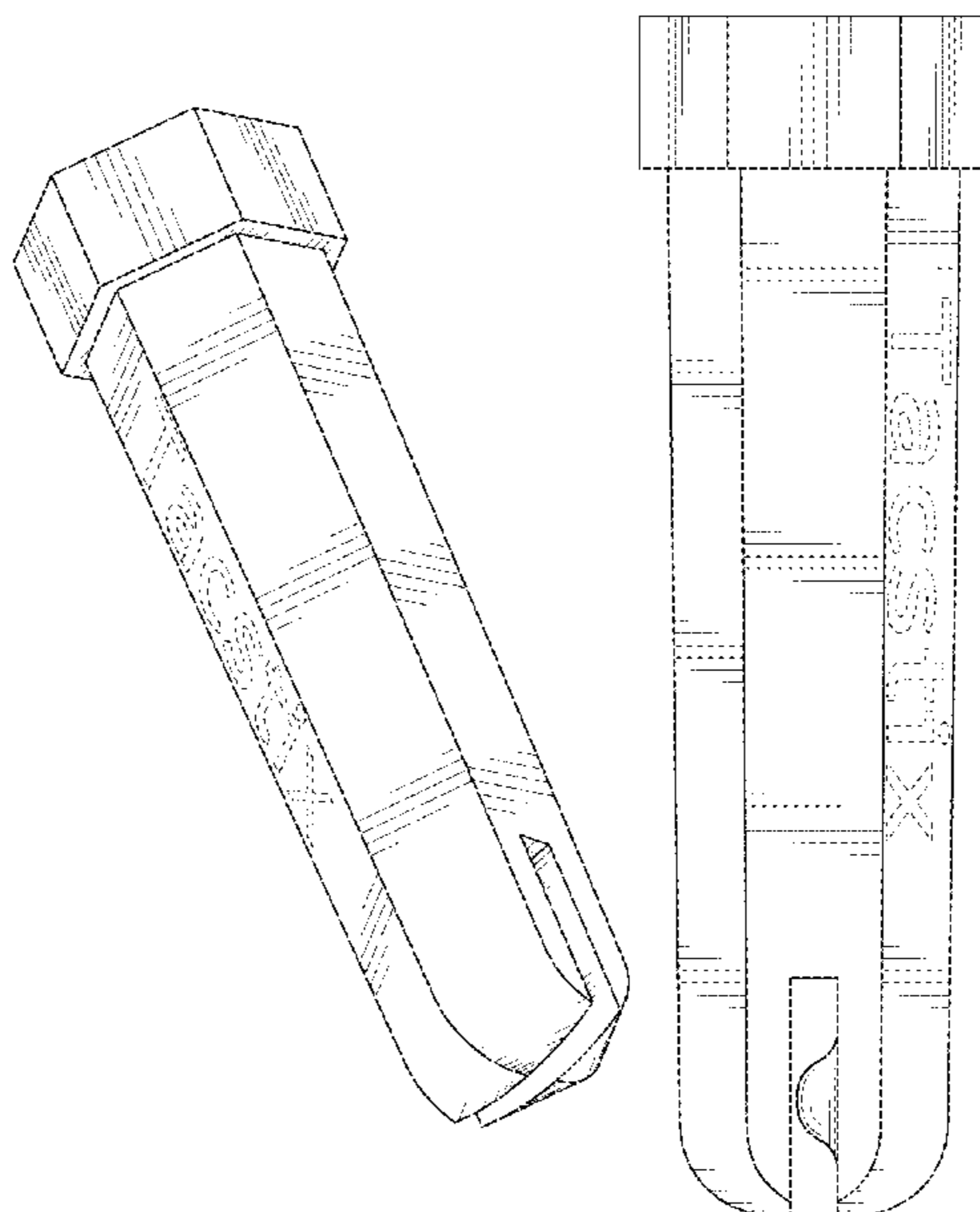
U.S. PATENT DOCUMENTS

309,669 A	12/1884	Wheatley	
613,174 A	10/1898	Rice	
1,065,047 A	6/1913	Hofstad	
1,499,292 A	6/1924	Claus	
3,576,987 A *	5/1971	Voight A62B 3/00 252/700
3,819,925 A *	6/1974	Richter F21K 2/06 53/442
3,899,254 A *	8/1975	Dixon G01J 1/48 436/2
4,104,708 A *	8/1978	Bohli F21K 2/06 250/485.1
4,179,204 A *	12/1979	Robinson G03B 15/03 396/4
D274,317 S *	6/1984	Nelson D10/114.9
D300,602 S *	4/1989	Smith, Sr. D26/37

DESCRIPTION

FIG. 1 is a perspective view of a tactical training tool; FIG. 2 is a front view of the tactical training tool of FIG. 1; FIG. 3 is a back view of the tactical training tool of FIG. 1; FIG. 4 is a right side view of the tactical training tool of FIG. 1; FIG. 5 is a left side view of the tactical training tool of FIG. 1; FIG. 6 is a top view of the tactical training tool of FIG. 1; and, FIG. 7 is a bottom view of the tactical training tool of FIG. 1. The broken lines are shown for the purpose of illustrating environmental subject matter and form no part of the claimed design.

1 Claim, 4 Drawing Sheets



(56)

References Cited

U.S. PATENT DOCUMENTS

D338,387 S * 8/1993 Smith, Sr. D8/303
 D356,276 S * 3/1995 Liu D10/114.9
 D357,882 S * 5/1995 Nevarez D10/114.9
 5,430,622 A * 7/1995 Kuo F21K 2/00
 362/159
 D363,037 S * 10/1995 Nevarez D10/114.9
 D368,045 S * 3/1996 Akers, Sr. D10/114.9
 5,673,988 A * 10/1997 Fujita F21S 6/002
 362/159
 D391,653 S * 3/1998 Ford D26/37
 6,213,623 B1 4/2001 Campman
 6,217,187 B1 * 4/2001 Demsko F21K 2/06
 362/102
 D452,926 S * 1/2002 Wu D26/39
 D458,339 S * 6/2002 Cheong D22/134
 6,478,439 B1 * 11/2002 Rockwell A01K 85/01
 362/396
 6,619,808 B1 * 9/2003 Pelto F21K 2/06
 362/101
 6,685,331 B1 * 2/2004 Rockwell F21K 2/06
 220/528
 D503,005 S * 3/2005 Fujita D26/37
 D528,237 S * 9/2006 Ford D26/37
 D574,979 S * 8/2008 Ford D10/111
 D598,150 S * 8/2009 Bertken D26/37
 7,682,033 B2 * 3/2010 Cranor F21K 2/06
 362/311.15
 D625,860 S * 10/2010 Bertken D26/37
 D625,861 S 10/2010 Bertken
 D626,671 S 11/2010 Bertken

D648,466 S 11/2011 Hickman
 D651,333 S * 12/2011 Schrimmer D26/37
 D655,026 S * 2/2012 Schrimmer D26/46
 D705,866 S * 5/2014 Adelman D19/135
 8,974,068 B1 * 3/2015 Thiessen F21K 2/06
 362/391
 D743,074 S 11/2015 Hwang
 9,714,742 B1 * 7/2017 Jackson F21K 2/06
 D793,595 S 8/2017 Leperance et al.
 D875,286 S * 2/2020 Noga D26/42
 10,830,395 B1 * 11/2020 Jackson F21K 2/06
 D945,032 S 3/2022 Qiu
 11,572,983 B1 * 2/2023 Jackson B05B 11/0038
 D997,007 S * 8/2023 Costle D10/114.2
 2005/0007760 A1 * 1/2005 Wu F21K 2/06
 362/34
 2008/0291658 A1 * 11/2008 Cranor F21K 2/06
 362/34
 2009/0175024 A1 * 7/2009 Cranor F21K 2/06
 362/34
 2010/0014275 A1 * 1/2010 Cranor F21K 2/06
 362/34
 2017/0087920 A1 * 3/2017 Guo B43K 8/026

OTHER PUBLICATIONS

Instagram post “Day One Testing”. 1 page, posted Sep. 19, 2022 by user “tacstix”. Date Accessed: Apr. 26, 2024. Retrieved from Internet URL: <https://www.instagram.com/p/Cis4pV-PvHd/> (Year: 2022).*

* cited by examiner

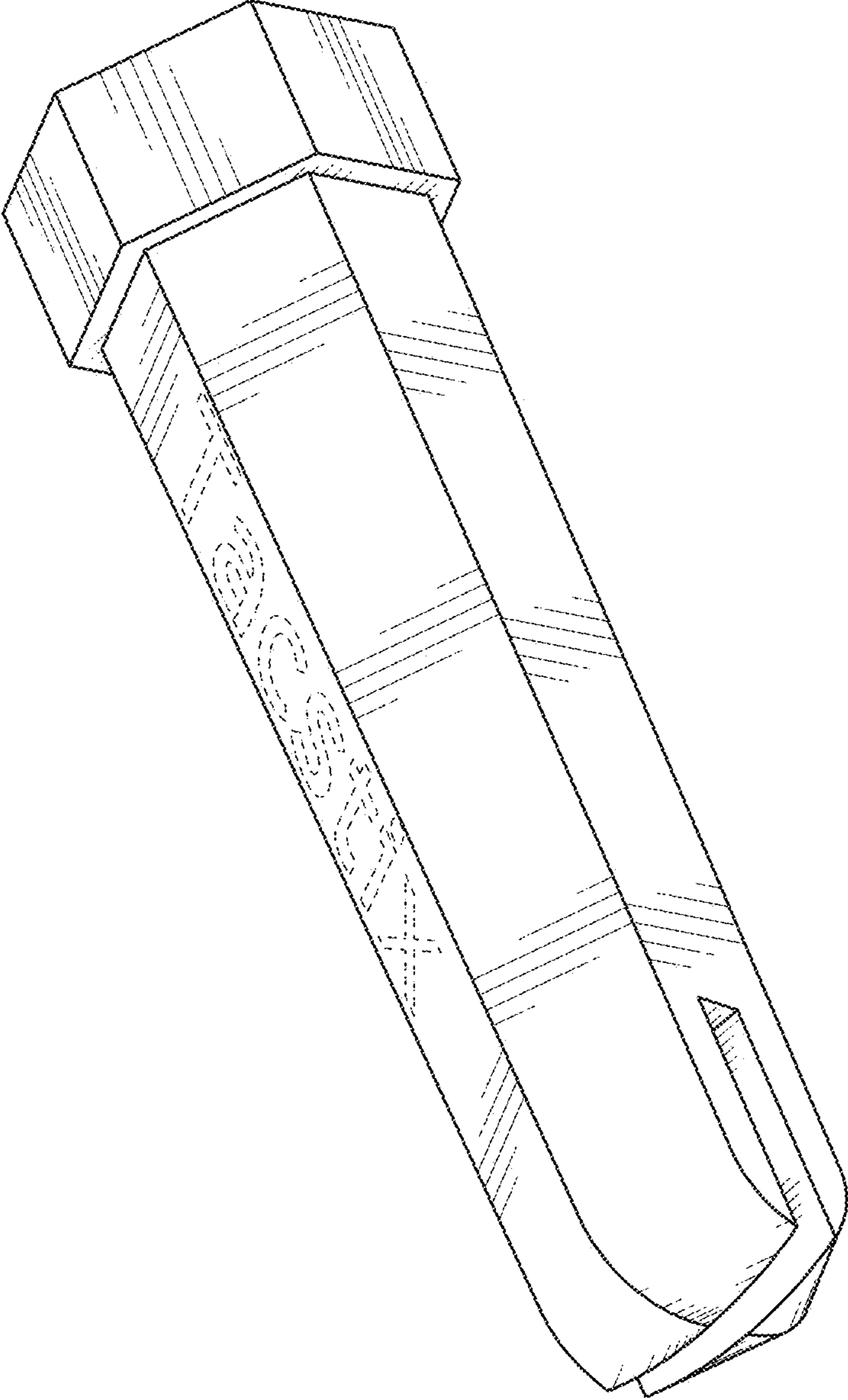


FIG. 1

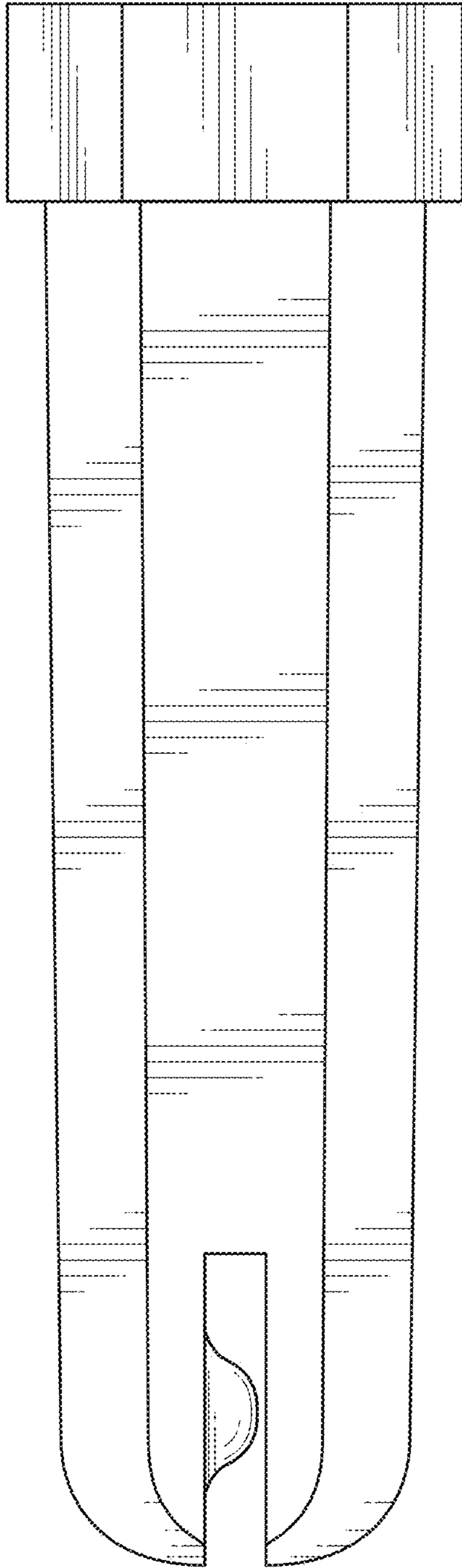


FIG. 2

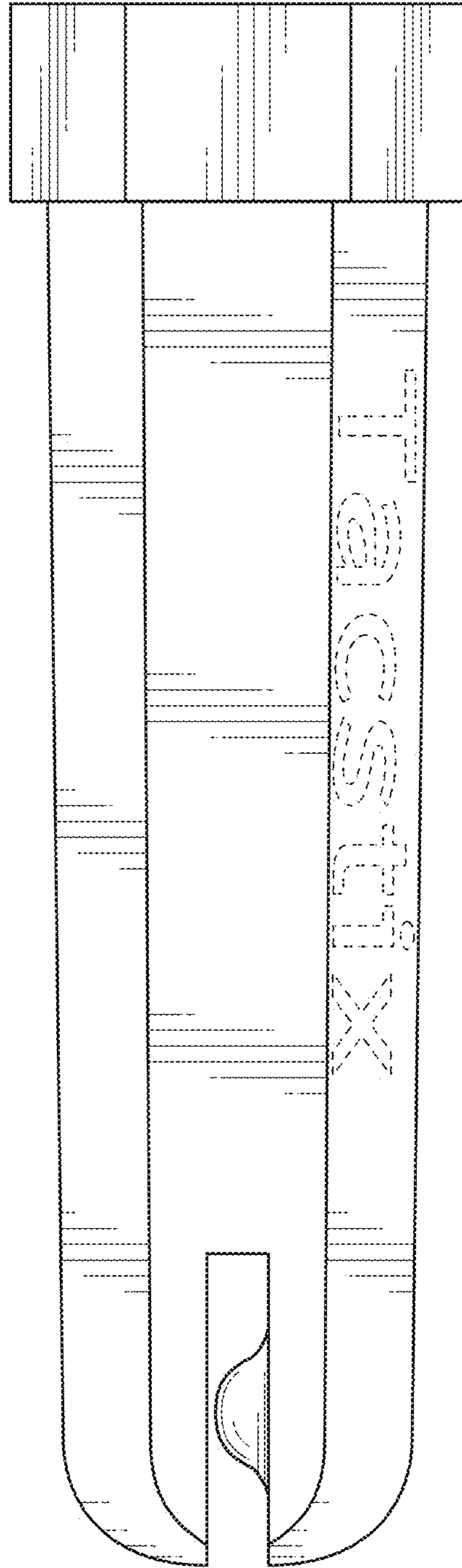


FIG. 3

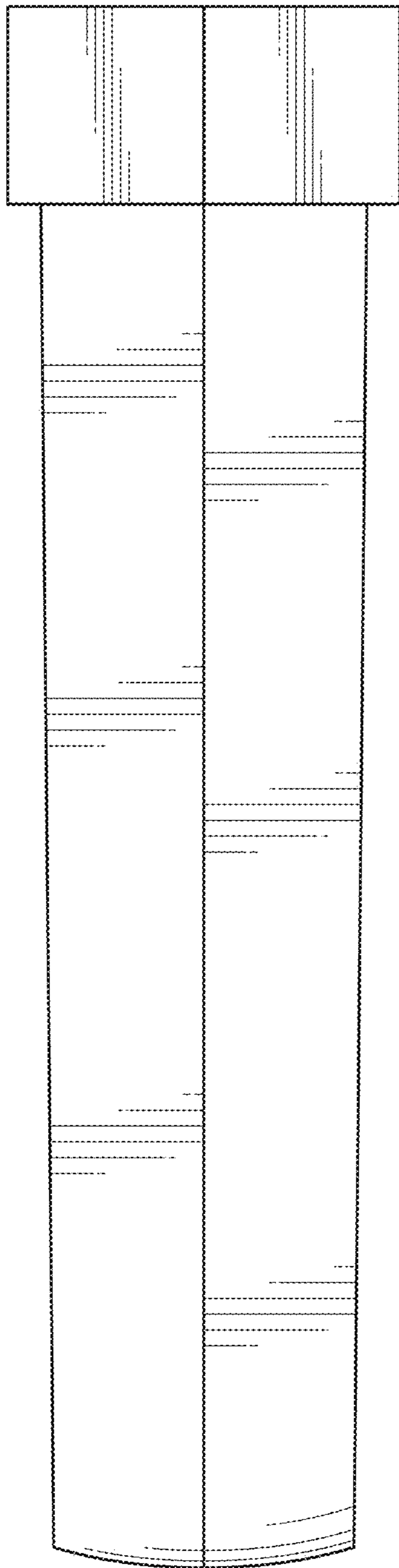


FIG. 4

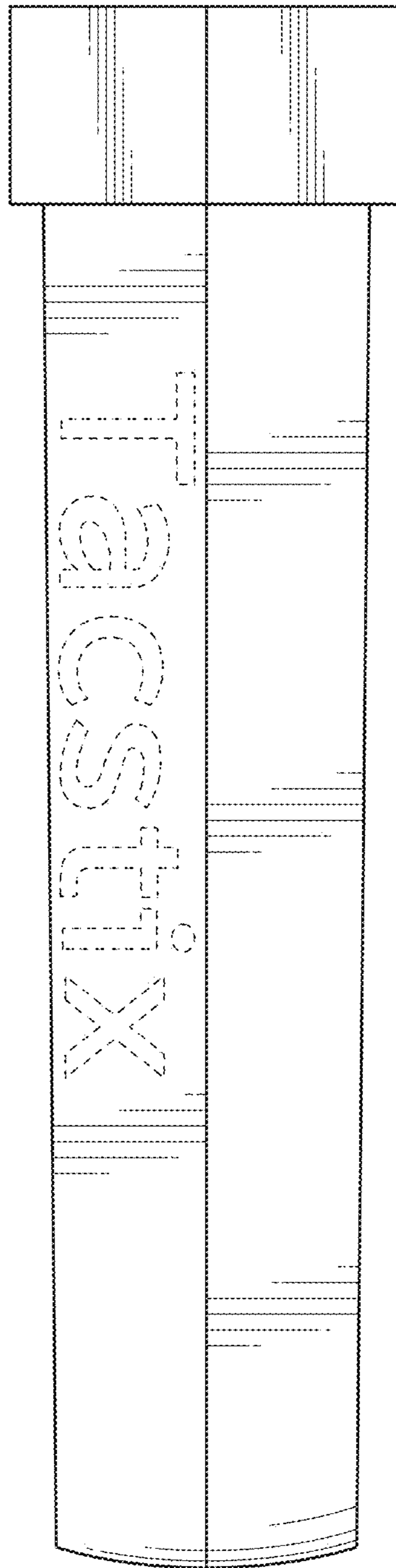


FIG. 5

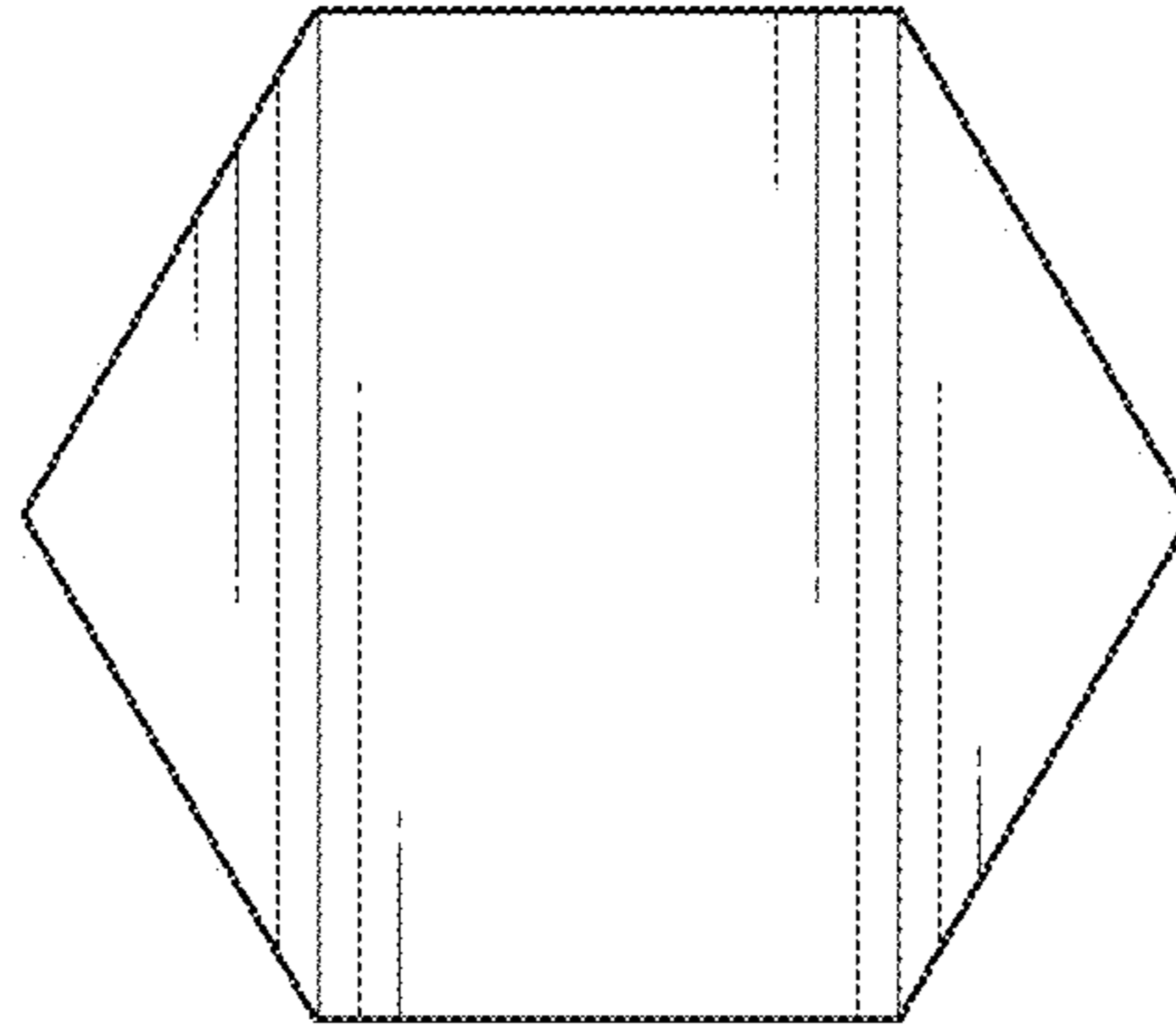


FIG. 6

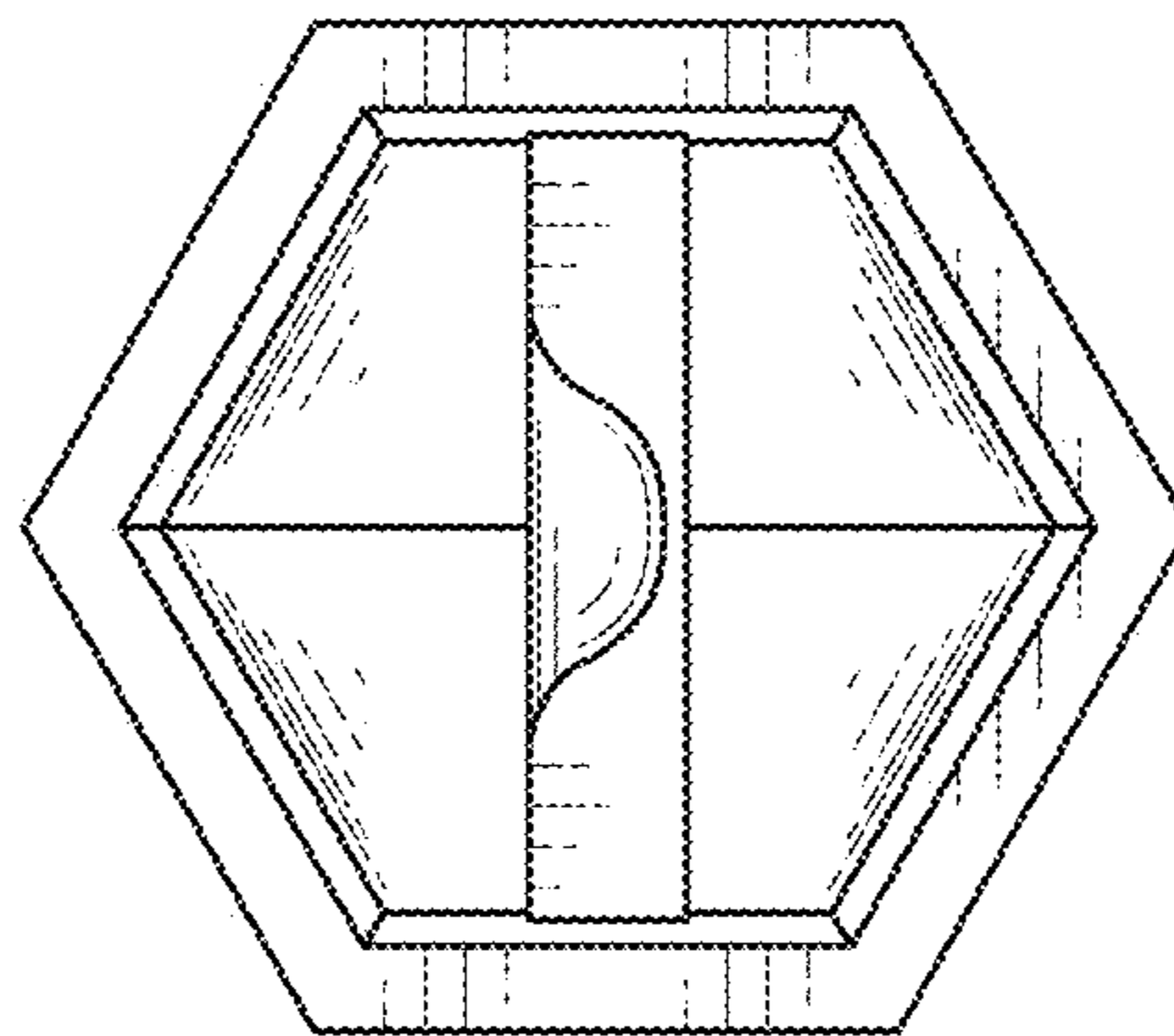


FIG. 7