



US0D1066514S

(12) **United States Design Patent**
Frank

(10) **Patent No.:** **US D1,066,514 S**
(45) **Date of Patent:** **** Mar. 11, 2025**

(54) **BALL THROWER**

(71) Applicant: **Edward J. Frank**, San Diego, CA (US)

(72) Inventor: **Edward J. Frank**, San Diego, CA (US)

(**) Term: **15 Years**

(21) Appl. No.: **29/852,623**

(22) Filed: **Sep. 8, 2022**

Related U.S. Application Data

(63) Continuation-in-part of application No. 29/706,208, filed on Sep. 18, 2019, now Pat. No. Des. 963,771.

(51) **LOC (15) Cl.** **21-02**

(52) **U.S. Cl.**
USPC **D21/722**

(58) **Field of Classification Search**
USPC D21/722; D22/113, 114; D30/160
CPC . A63B 59/20; A63B 59/30; A63B 65/00-127;
A63B 60/00; A63B 60/46; F41B 3/00-04;
F41J 9/16; F41J 9/18; F41J 9/28; A01K
15/027

See application file for complete search history.

(56) **References Cited**

U.S. PATENT DOCUMENTS

- 1,445,371 A * 2/1923 Vickery F41J 9/20
124/8
- 4,974,574 A * 12/1990 Cutlip F41B 3/00
124/5
- 5,390,652 A * 2/1995 Minneman F41J 9/28
124/5
- D374,702 S * 10/1996 Parks D22/113
- D424,640 S * 5/2000 Oblack D21/722
- 6,076,829 A * 6/2000 Oblack A63B 60/34
473/509
- D484,938 S * 1/2004 Tu D21/789
- D554,717 S * 11/2007 McKinnell D21/722
- 7,686,001 B2 * 3/2010 Fitt A63B 59/20
124/5

- D630,277 S * 1/2011 McKinnell D21/722
- D637,248 S * 5/2011 Levin D21/722
- D640,338 S * 6/2011 Oblack D21/722
- D655,359 S * 3/2012 Thorogood D21/722
- D666,686 S * 9/2012 Burger D21/722
- 8,857,419 B2 * 10/2014 Hansen A63B 60/12
124/5
- D759,907 S * 6/2016 Weinstein D30/160
- 9,392,768 B1 * 7/2016 Mullin A01K 15/02
- 9,545,082 B1 * 1/2017 Mullin A01K 15/021
- 9,630,076 B2 * 4/2017 Evans A63B 67/183
- 10,220,282 B1 * 3/2019 Steinkraus A63B 65/122
- D863,476 S * 10/2019 Haarbuerger D21/722
- D889,057 S * 6/2020 Steinkraus D30/160
- D898,139 S * 10/2020 Stearman D21/722

(Continued)

OTHER PUBLICATIONS

Ball thrower google search; google.com; Feb. 14, 2024.*

Primary Examiner — Mitchell I. Siegel
(74) *Attorney, Agent, or Firm* — The Buche Law Firm
PC; Bryce A. Johnson; John K. Buche

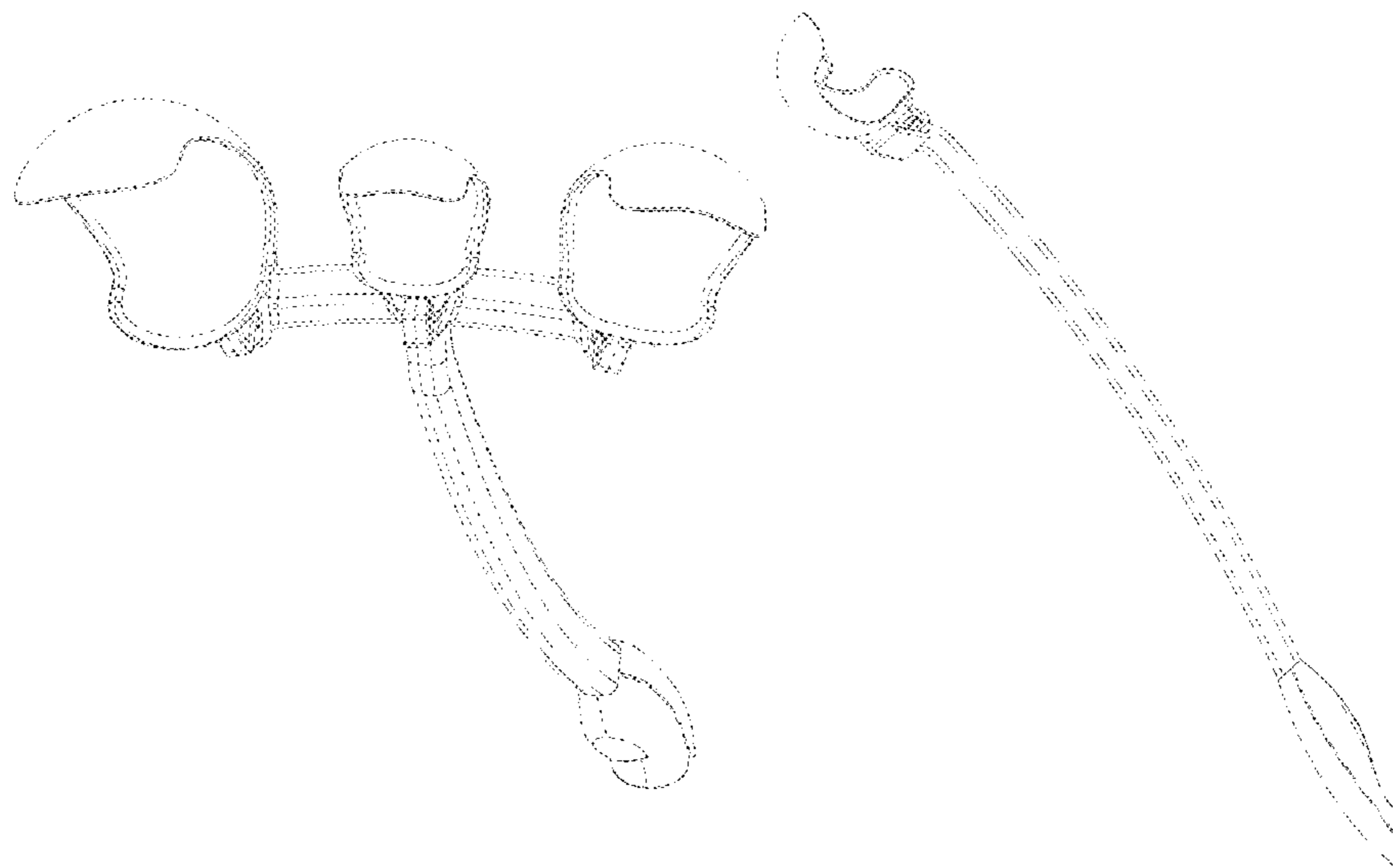
(57) **CLAIM**

The ornamental design for a “ball thrower,” as shown and described.

DESCRIPTION

FIG. 1 is a perspective view of the ball thrower;
FIG. 2 is a back view of the ball thrower;
FIG. 3 is a bottom view of the ball thrower;
FIG. 4 is a front view of the ball thrower;
FIG. 5 is a left side view of view of the ball thrower;
FIG. 6 is a top view of the ball thrower;
FIG. 7 is a right side perspective of the ball thrower; and,
FIG. 8 is a left side perspective view of the ball thrower.
The broken lines shown in the drawings form no part of the claimed design.

1 Claim, 8 Drawing Sheets



(56)

References Cited

U.S. PATENT DOCUMENTS

D907,727 S * 1/2021 Tamulewicz D21/722
D910,140 S * 2/2021 Rick D22/114
11,198,047 B2 * 12/2021 Tamulewicz A63B 60/48
D958,273 S * 7/2022 Houser D21/722
D963,771 S * 9/2022 Frank D21/722
D965,713 S * 10/2022 Richardson D21/722
D1,000,730 S * 10/2023 Qiu D21/722
2012/0227721 A1 * 9/2012 Geller A63B 60/10
124/5
2015/0342146 A1 * 12/2015 Tucker A01K 15/025
124/79

* cited by examiner

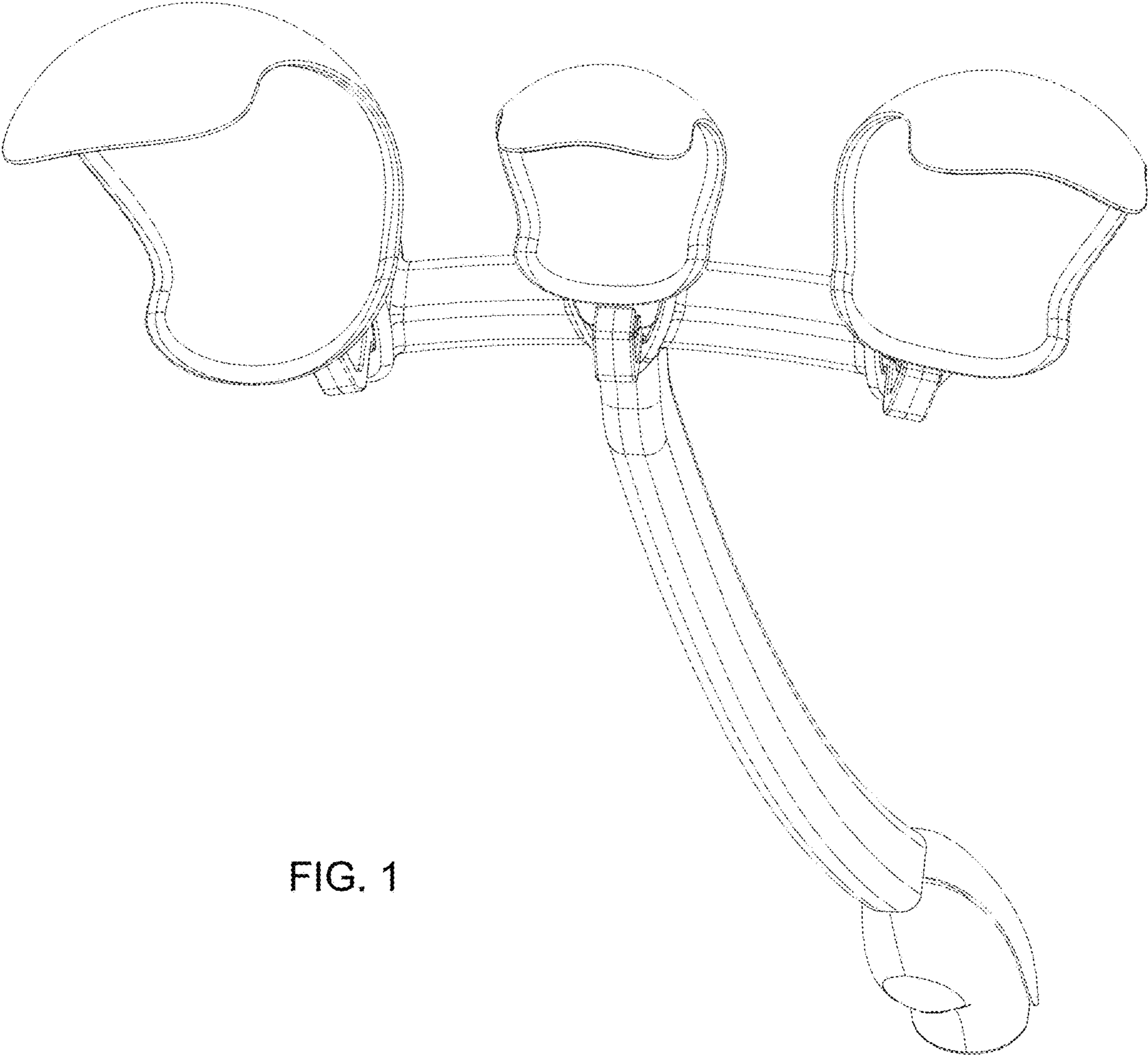


FIG. 1

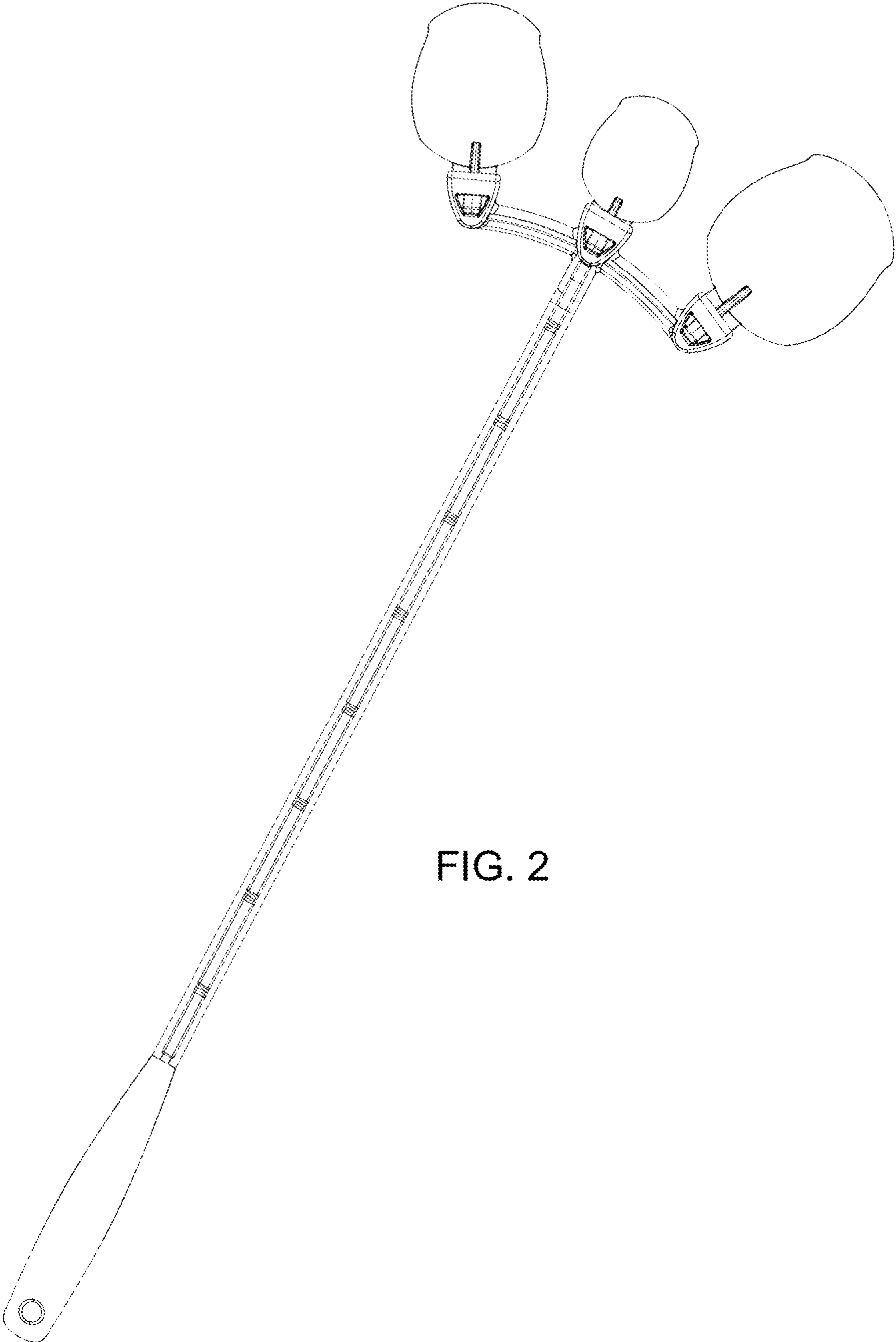


FIG. 2

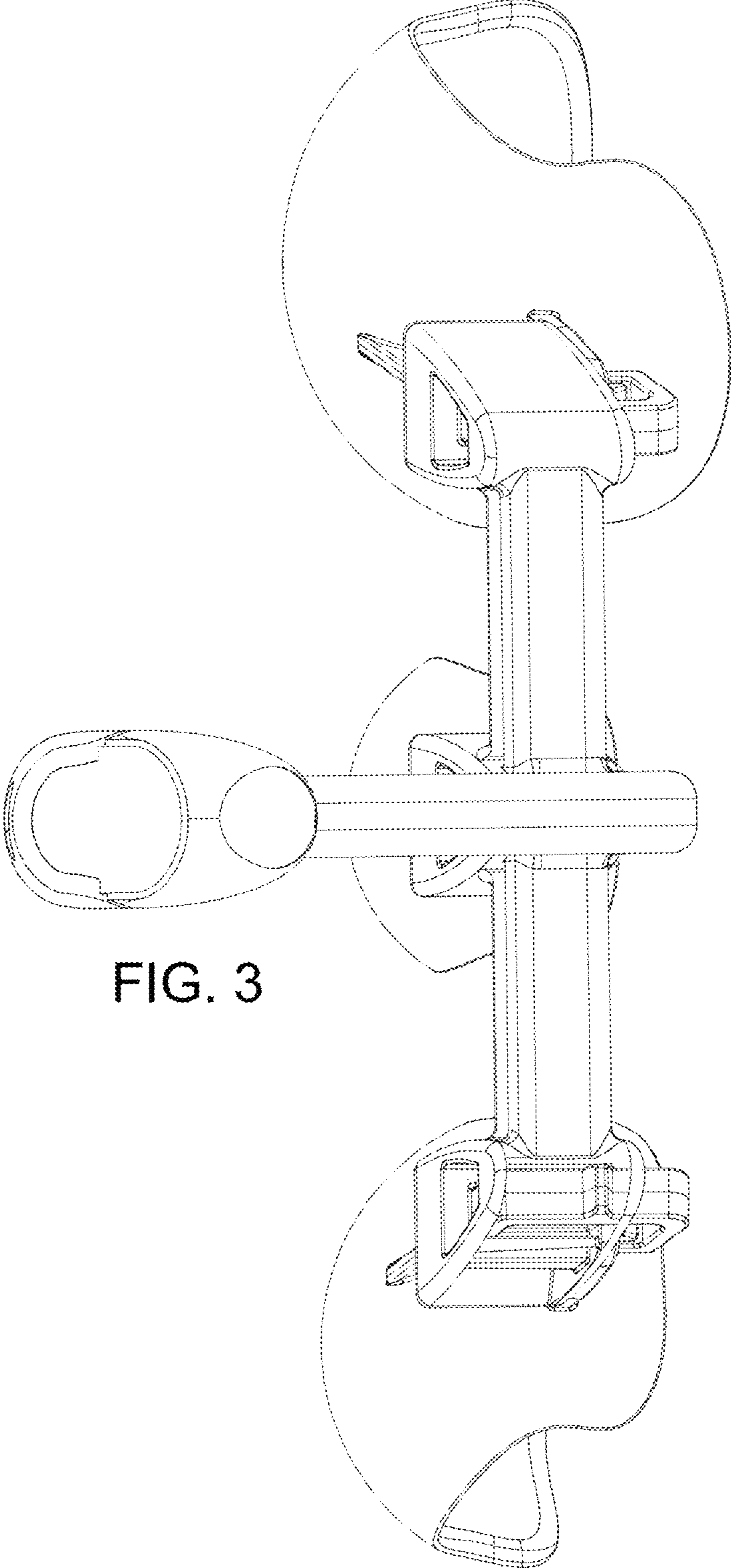


FIG. 3

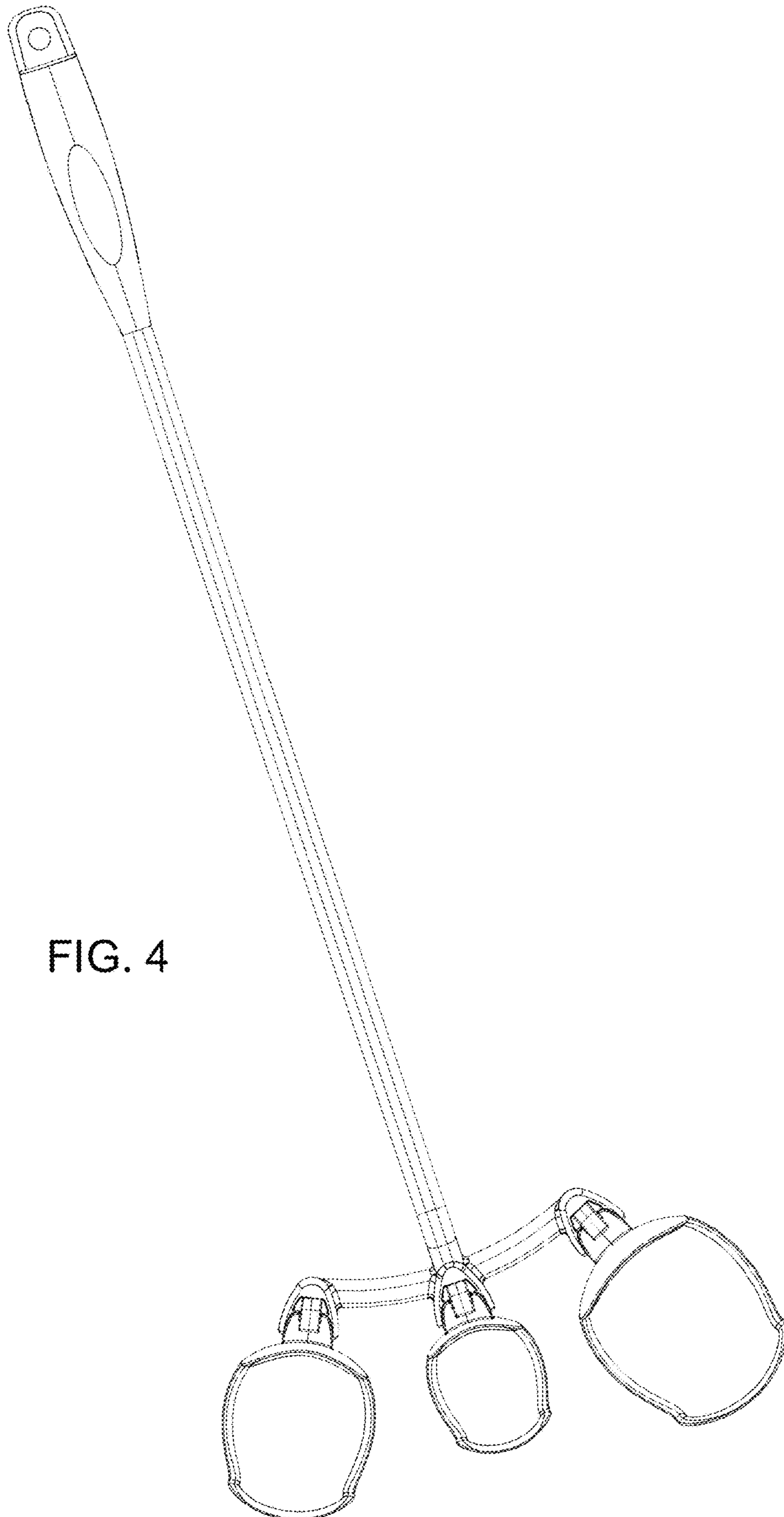


FIG. 4

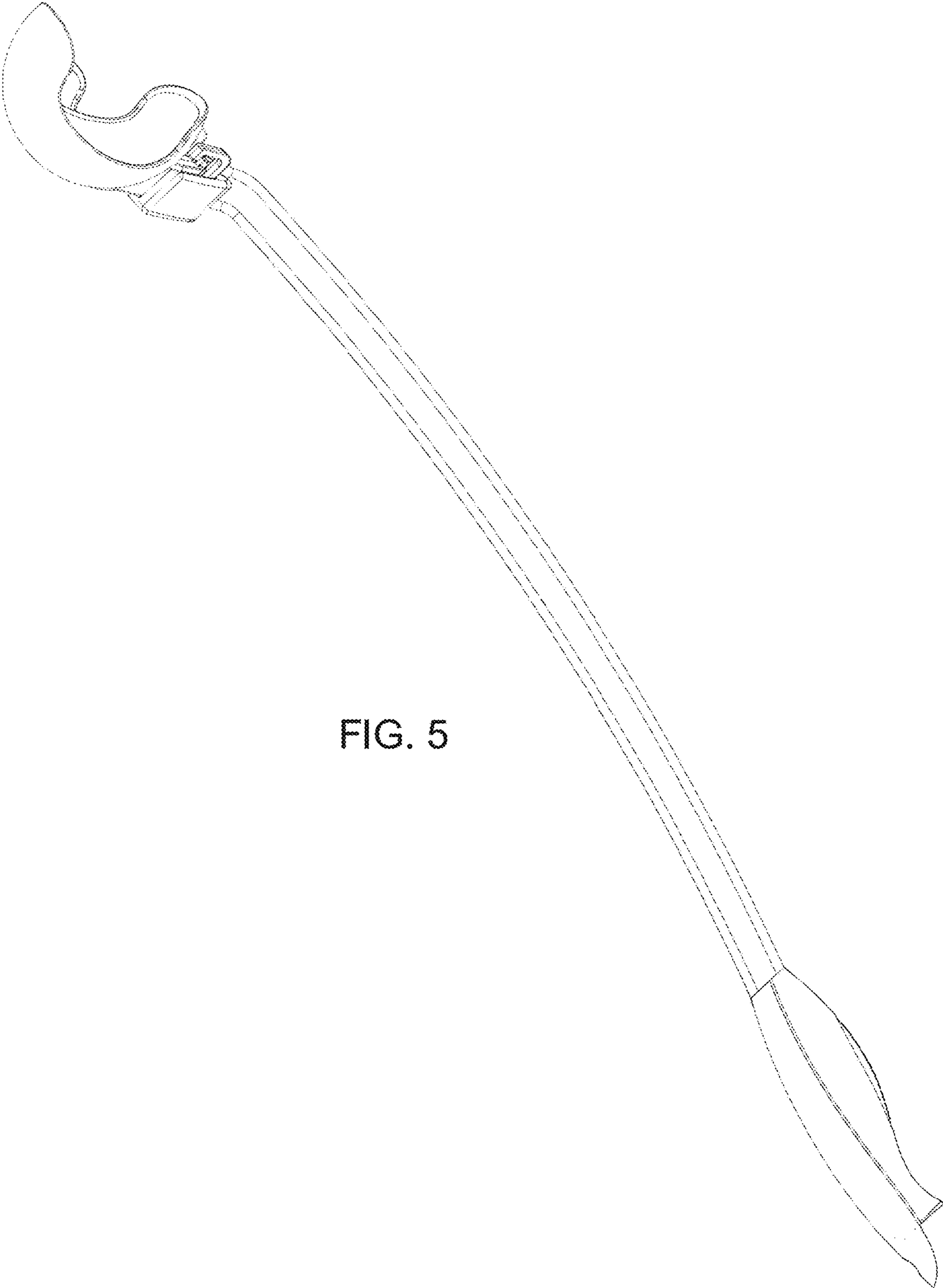


FIG. 5

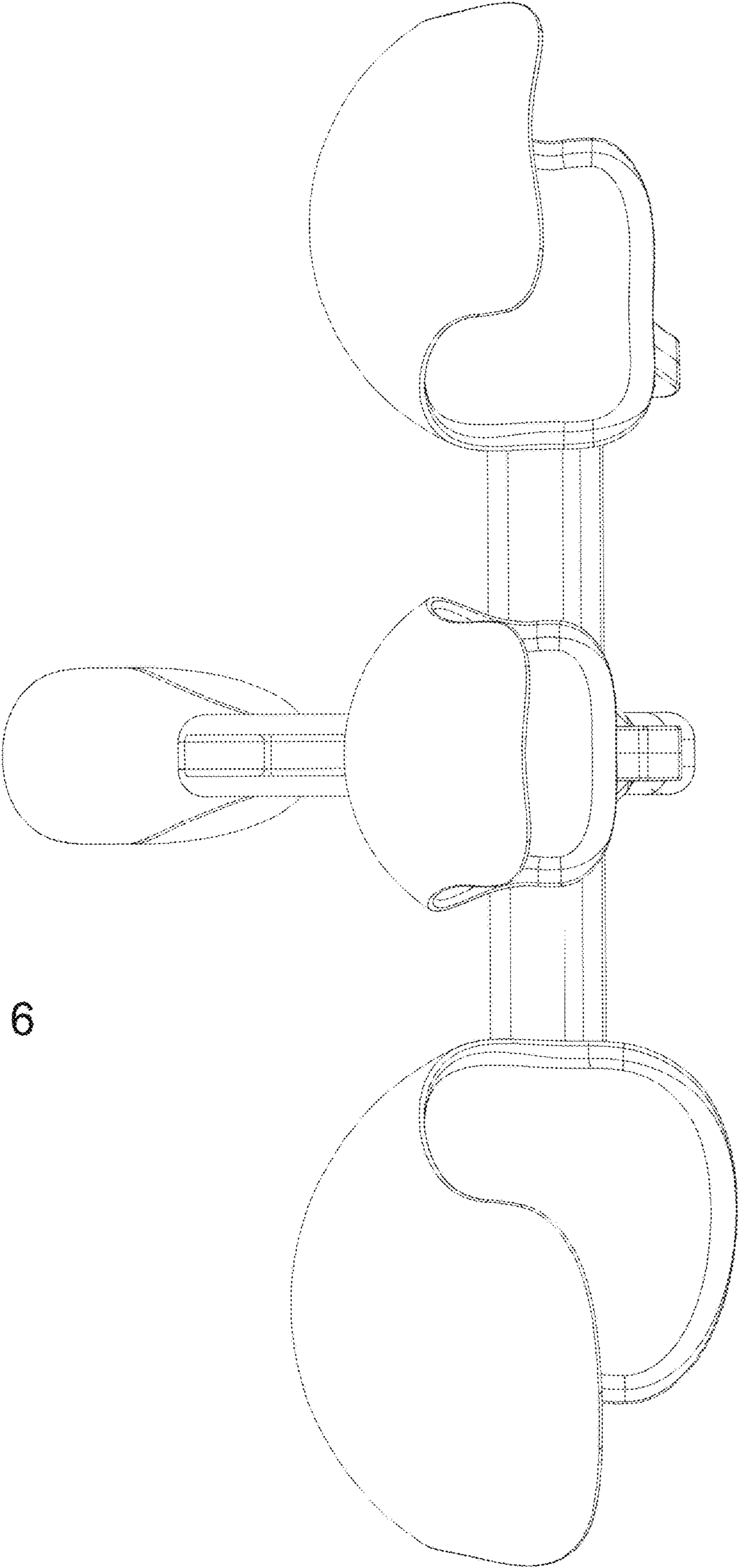


FIG. 6

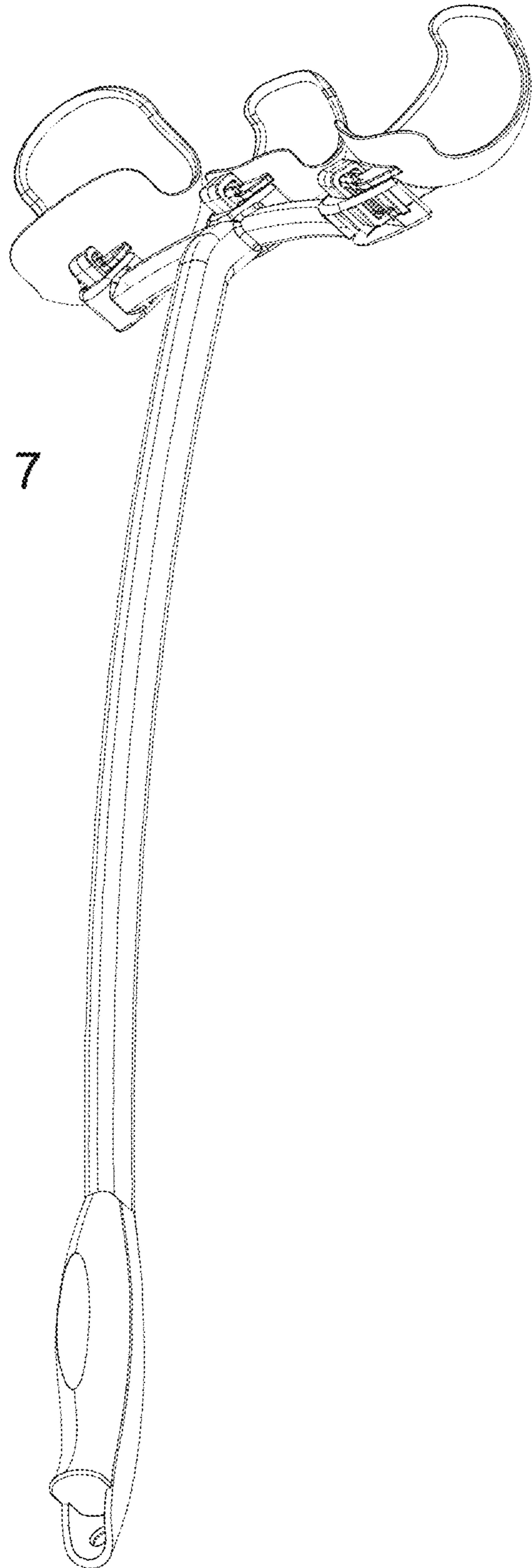


FIG. 7

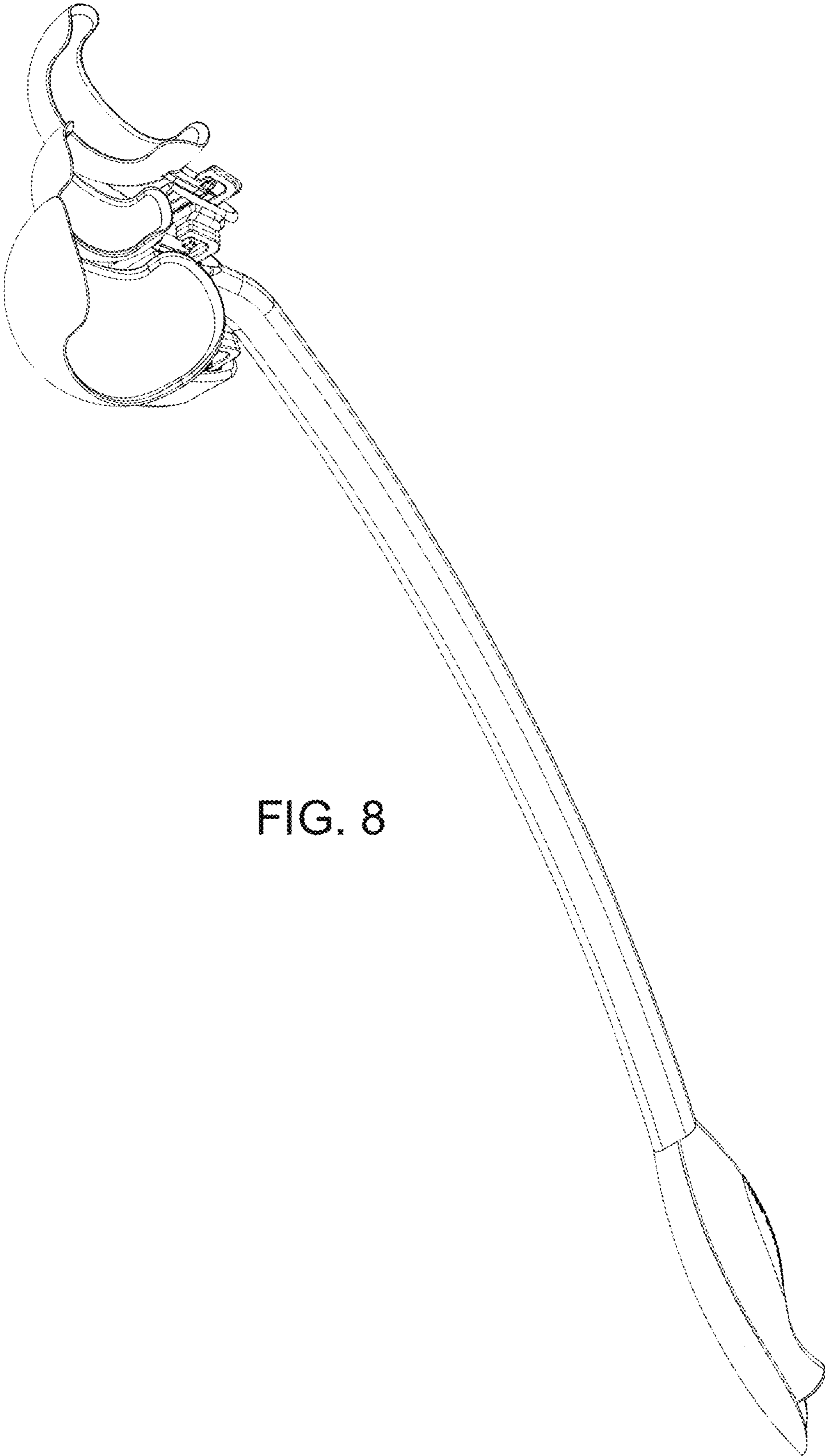


FIG. 8