



US0D1067028S

(12) **United States Design Patent**
Simkovics

(10) **Patent No.:** **US D1,067,028 S**

(45) **Date of Patent:** **** Mar. 18, 2025**

(54) **HANDLE AND HOOK**

(71) Applicant: **Stefan Simkovics**, San Diego, CA (US)

(72) Inventor: **Stefan Simkovics**, San Diego, CA (US)

(**) Term: **15 Years**

(21) Appl. No.: **29/962,279**

(22) Filed: **Sep. 11, 2024**

(51) **LOC (15) Cl.** **08-11**

(52) **U.S. Cl.**
USPC **D8/367**

(58) **Field of Classification Search**
USPC D8/367, 354, 349, 356, 394, 395;
D11/200; D12/223, 128, 412; D24/193,
D24/124; D13/155, 2, 193, 124; D3/207
CPC .. A47G 1/00; A47G 25/00; A47G 1/17; F16B
47/003; F16B 2/00; H02S 20/23; F24S
25/636; A63B 23/12; B60R 9/058; A47F
5/0884

See application file for complete search history.

(56) **References Cited**

U.S. PATENT DOCUMENTS

D342,359 S	*	12/1993	Dupont	D8/367
D384,576 S	*	10/1997	Holder	D8/373
D401,838 S	*	12/1998	Beauchemin	D8/373
D583,222 S	*	12/2008	Rota	D8/367
D707,536 S	*	6/2014	Van Riper	D8/367
D764,900 S	*	8/2016	Fisher	D8/367
D802,401 S	*	11/2017	Harris	D8/367
D827,419 S	*	9/2018	Hopkins	F16B 45/005 D8/367
D899,234 S	*	10/2020	Chen	D8/367
D927,290 S	*	8/2021	Zhang	D8/367
D957,919 S	*	7/2022	Bredl	D8/367

D1,001,623 S	*	10/2023	Yegenoglu	D8/367
D1,013,491 S	*	2/2024	Truesdell	D8/367
D1,034,172 S	*	7/2024	Morehouse	D8/367
D1,042,099 S	*	9/2024	Feng	D8/367
D1,046,605 S	*	10/2024	Xu	D8/367
D1,047,670 S	*	10/2024	Wu	D8/367
2002/0162196 A1		11/2002	Joubert et al.		
2021/0284426 A1		9/2021	Kalajyan et al.		

* cited by examiner

Primary Examiner — Cynthia R Underwood

(74) *Attorney, Agent, or Firm* — The Buche Law Firm,
PC; Bryce A. Johnson; John K. Buche

(57) **CLAIM**

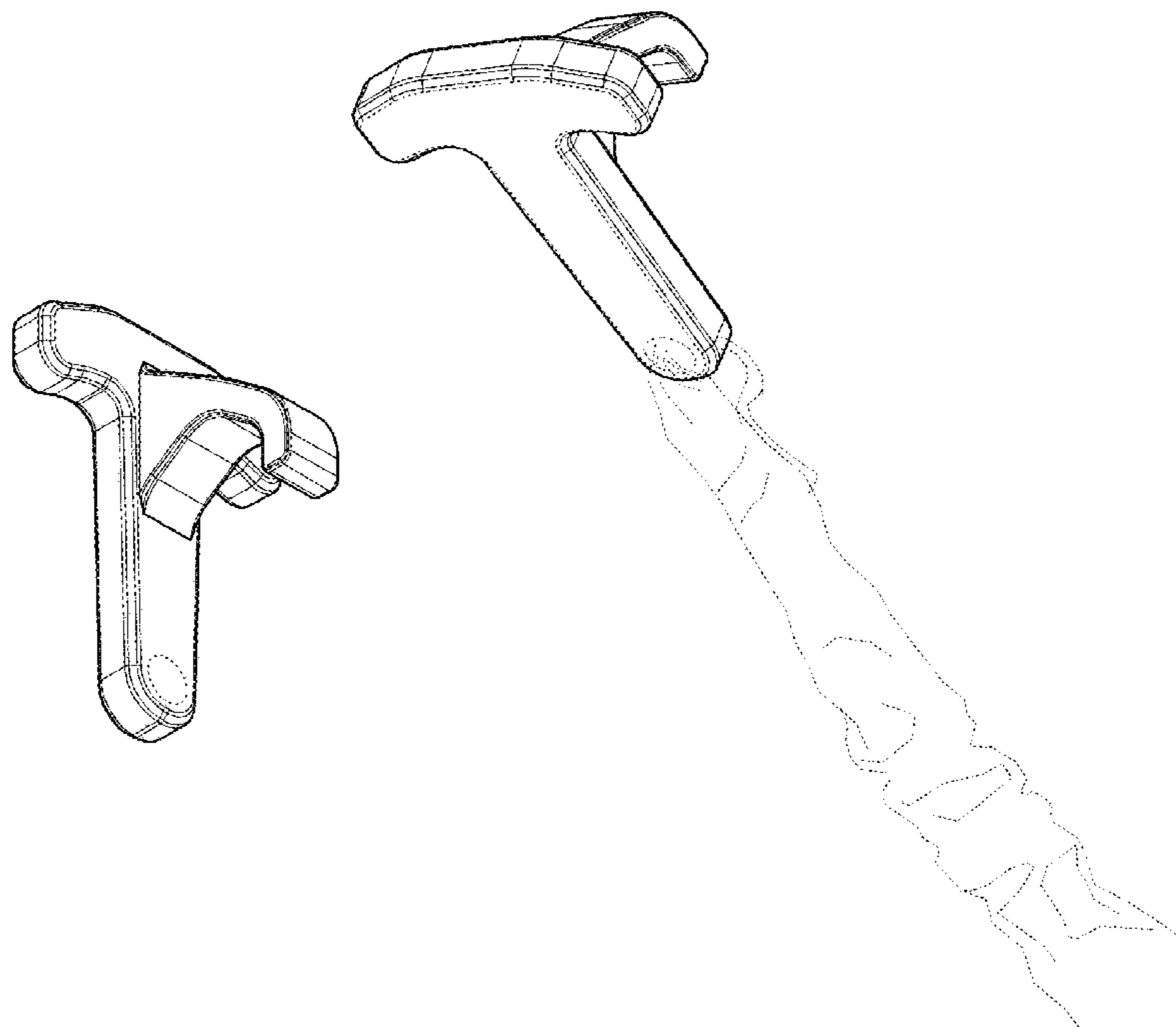
The ornamental design for “handle and hook” as shown and described.

DESCRIPTION

This application is related to U.S. Prov. App. Ser. No. 63/603,824 (filed Nov. 29 2023) for a “Strap Securement Device” and this related application, including the drawings submitted therewith, is hereby incorporated by reference in its entirety and as if fully set forth herein.

FIG. 1 is a perspective view of a hook and handle;
FIG. 2 is a second perspective view of the hook and handle;
FIG. 3 is a third perspective view of the hook and handle;
FIG. 4 is a top view of the hook and handle;
FIG. 5 is a side view of the hook and handle;
FIG. 6 is a bottom view of the hook and handle;
FIG. 7 is another side view of the hook and handle; and,
FIG. 8 is an environmental view of the hook and handle.
Broken lines illustrate portions of the hook and handle that form no part of the claimed design.

1 Claim, 3 Drawing Sheets



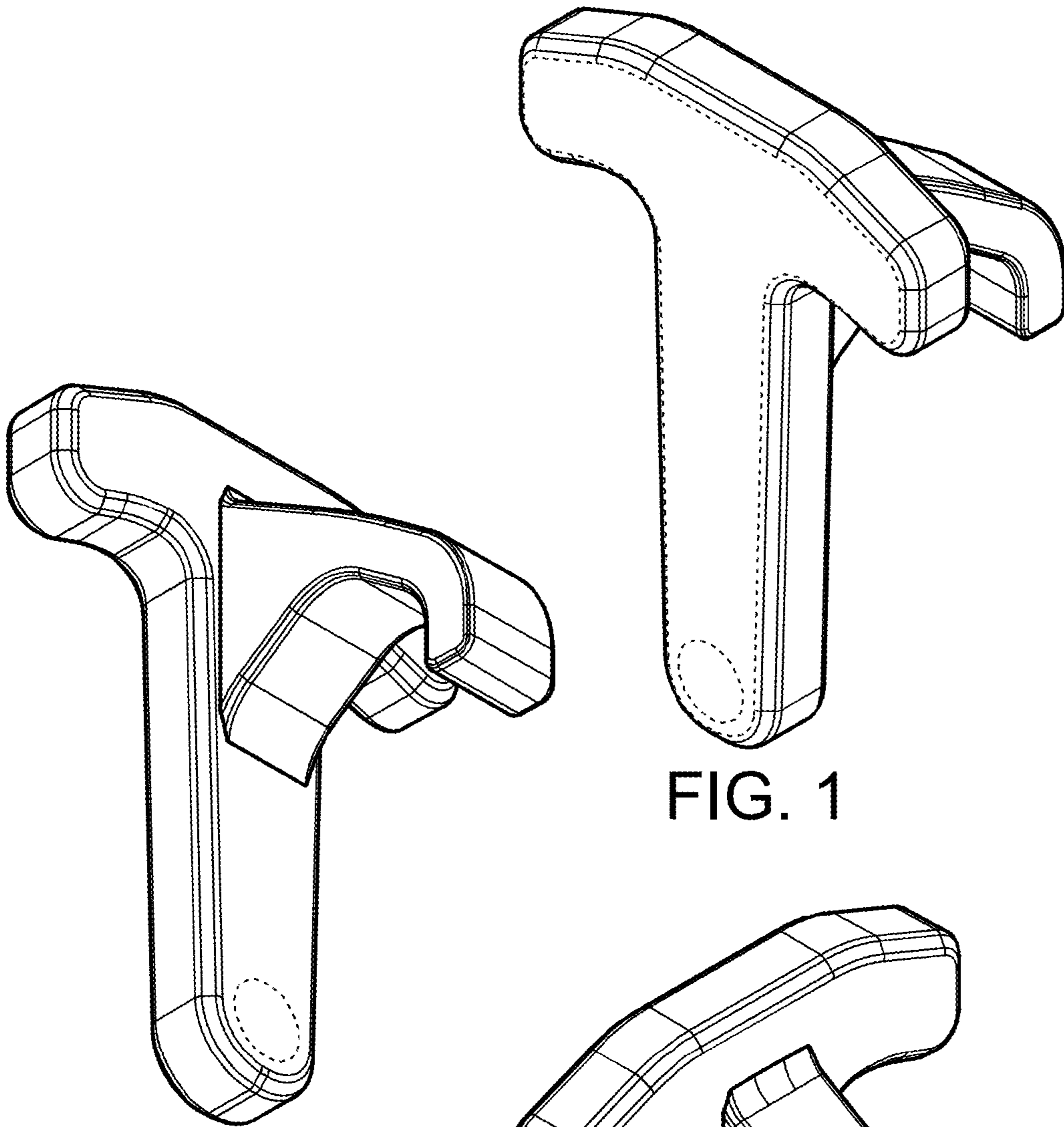


FIG. 1

FIG. 2

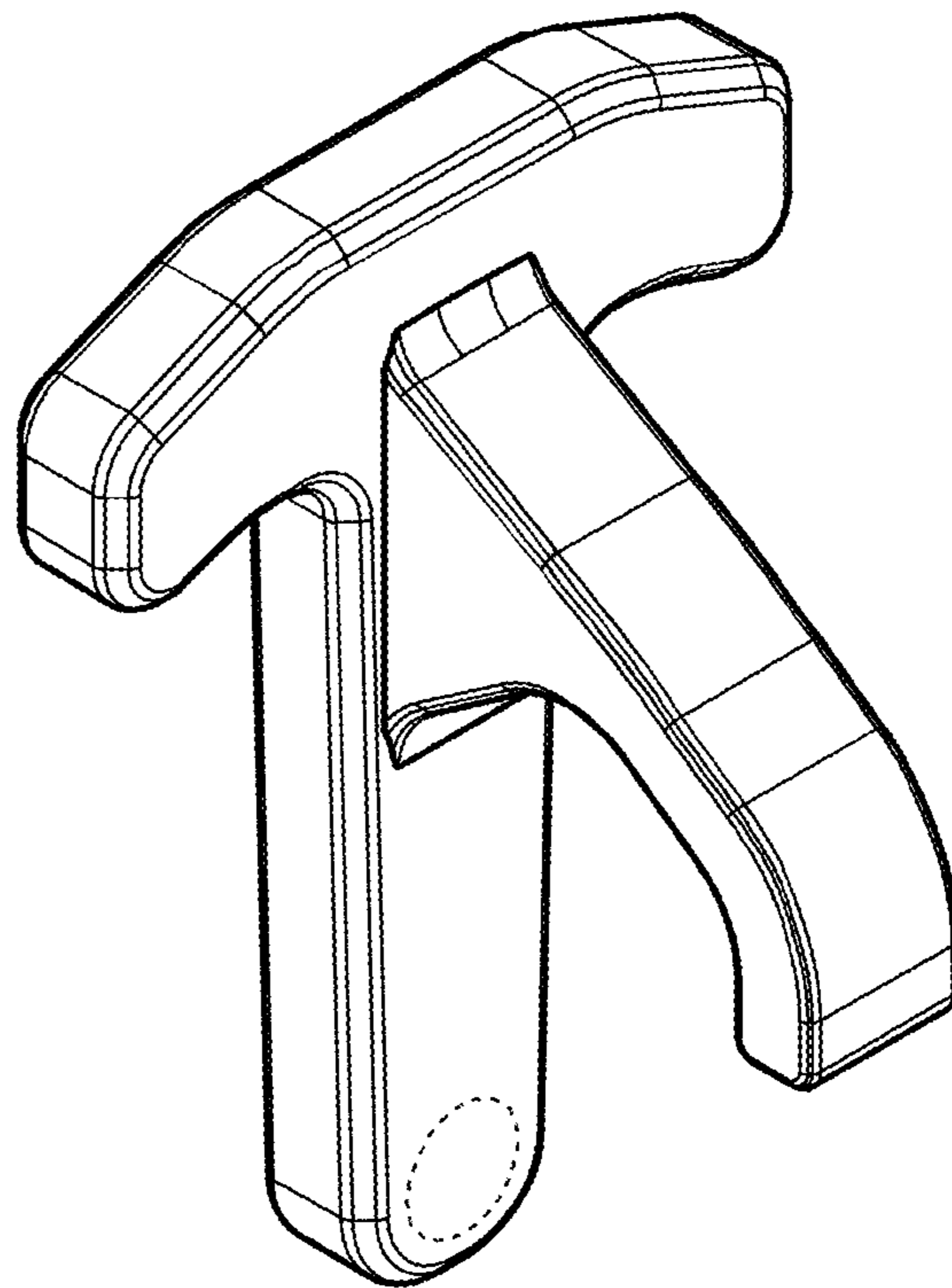


FIG. 3

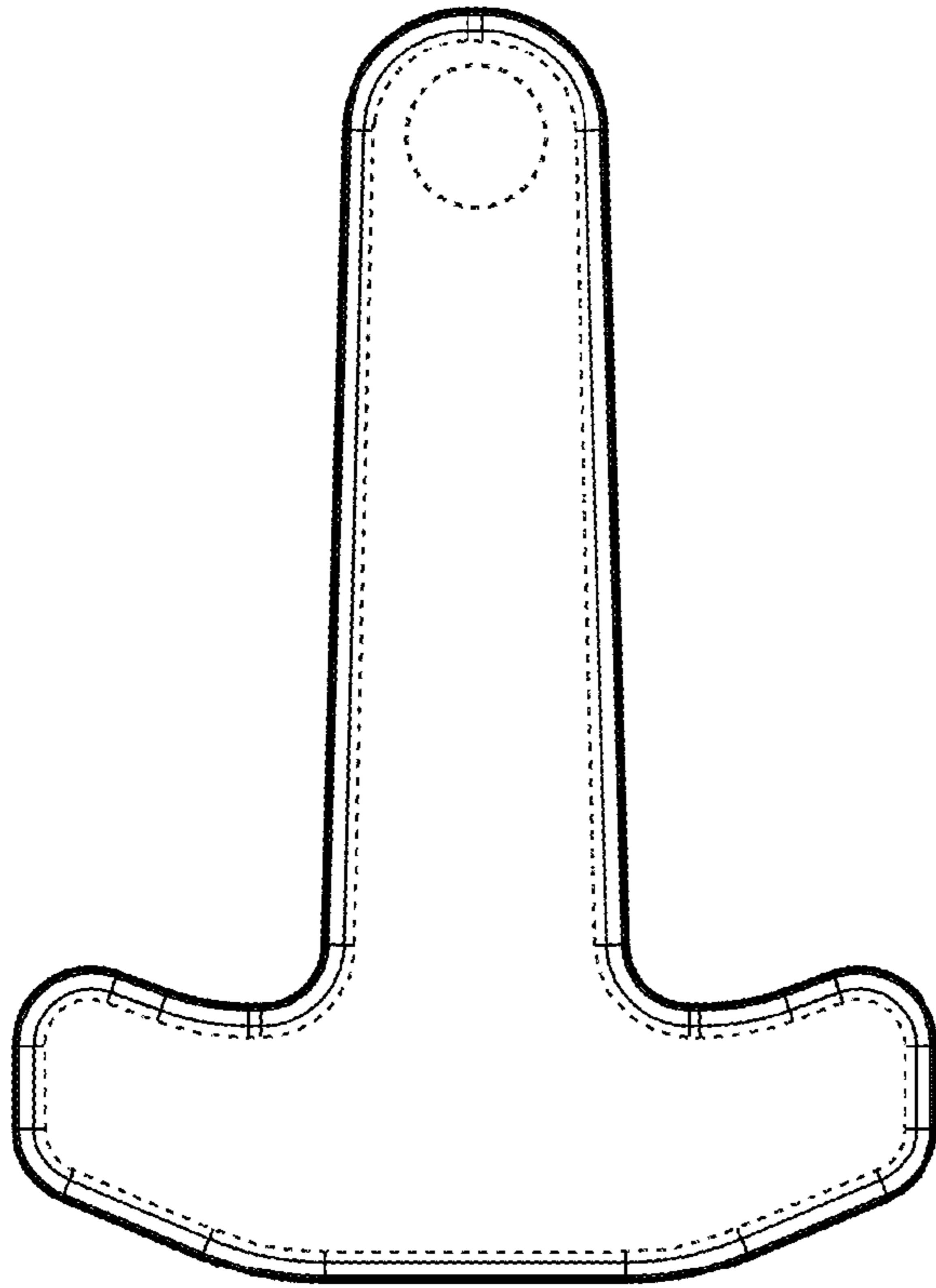


FIG. 4

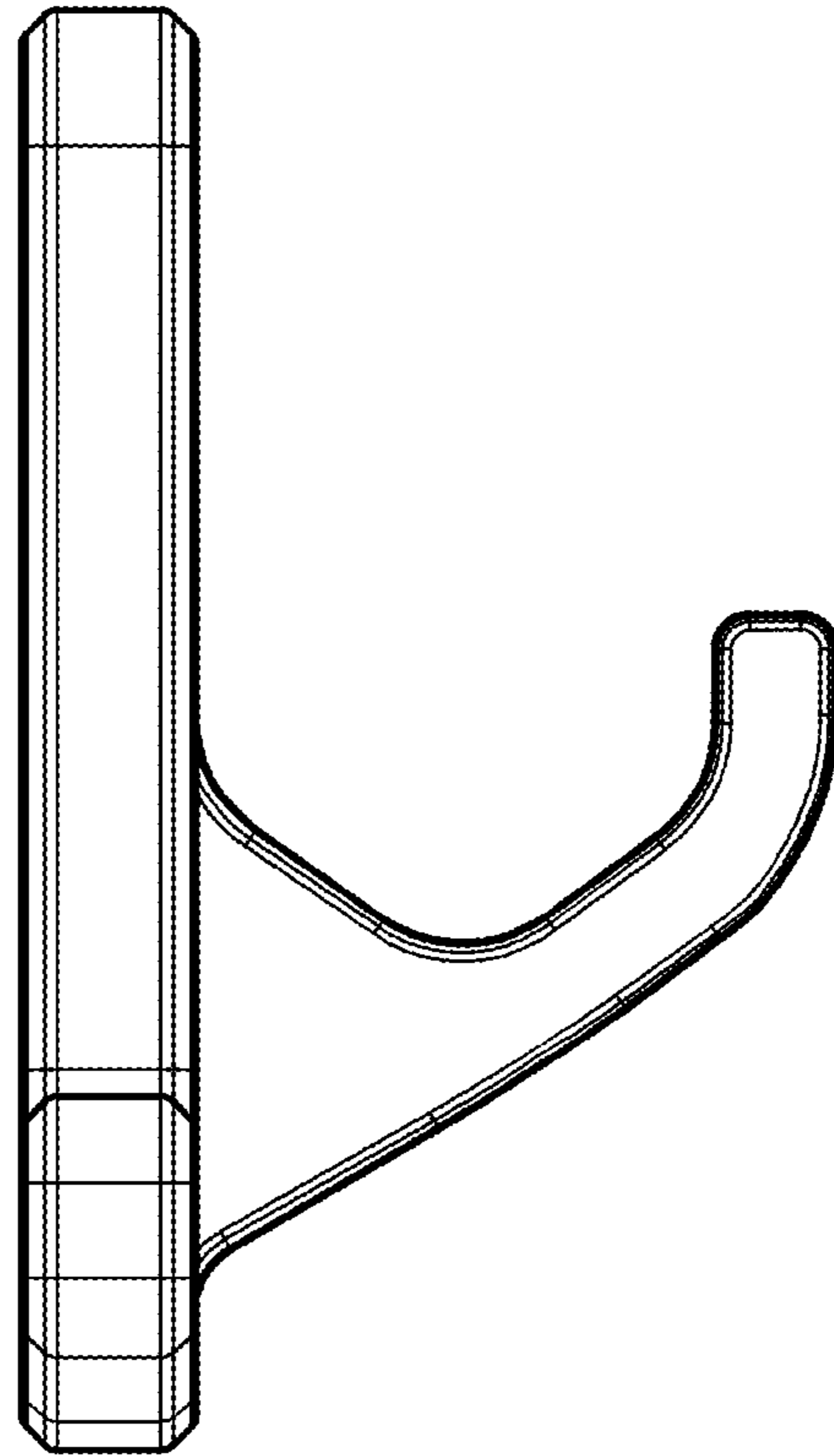


FIG. 5

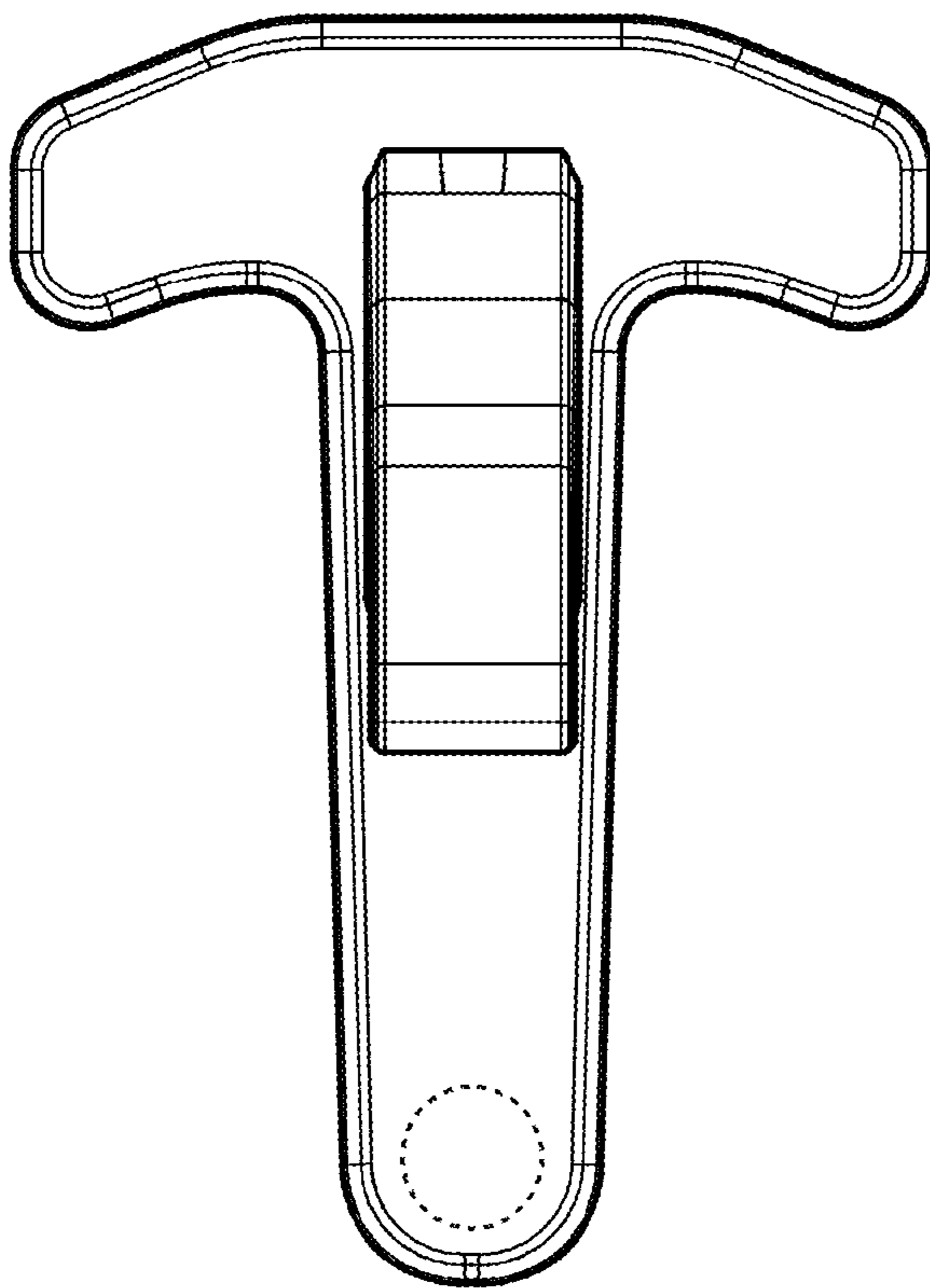


FIG. 6

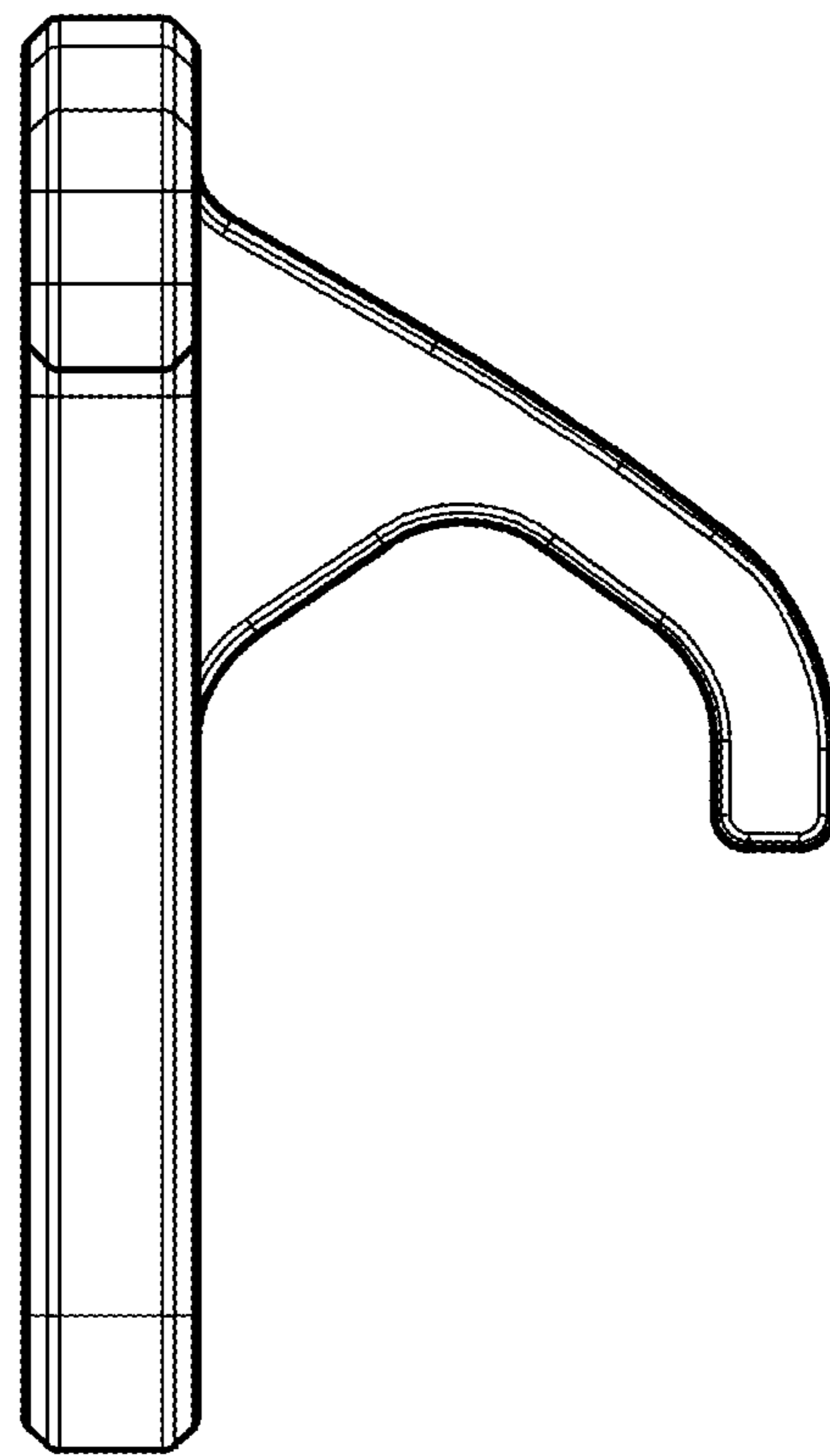


FIG. 7

