



US0D1067763S

(12) **United States Design Patent** (10) **Patent No.:** **US D1,067,763 S**
Becker (45) **Date of Patent:** **** Mar. 25, 2025**

(54) **FURNITURE LEG COVER**
(71) Applicant: **Catherine Becker**, San Diego, CA (US)
(72) Inventor: **Catherine Becker**, San Diego, CA (US)
(**) Term: **15 Years**
(21) Appl. No.: **29/825,379**
(22) Filed: **Jan. 31, 2022**

D653,088 S * 1/2012 Hansen D7/624.1
D896,621 S * 9/2020 Wendling D8/374
D925,342 S * 7/2021 Winthrop D8/374
D929,212 S * 8/2021 Guindi D8/374
2014/0106099 A1* 4/2014 Desmarais A47B 91/002
428/36.1
2018/0140099 A1* 5/2018 Peters A47C 7/008
2020/0093265 A1* 3/2020 Becker A47B 91/12
2020/0146448 A1* 5/2020 Wendling A47B 91/005

* cited by examiner

Primary Examiner — Eliza Z Harvey
(74) *Attorney, Agent, or Firm* — The Buche Law Firm,
P.C.; John K. Buche; Bryce A. Johnson

Related U.S. Application Data

(63) Continuation-in-part of application No. 29/663,979,
filed on Sep. 20, 2018, now Pat. No. Des. 942,254.
(51) **LOC (15) Cl.** **08-05**
(52) **U.S. Cl.**
USPC **D8/374**
(58) **Field of Classification Search**
USPC D8/374
CPC A47B 91/12
See application file for complete search history.

(57) **CLAIM**

The ornamental design for “furniture leg cover” as shown.

DESCRIPTION

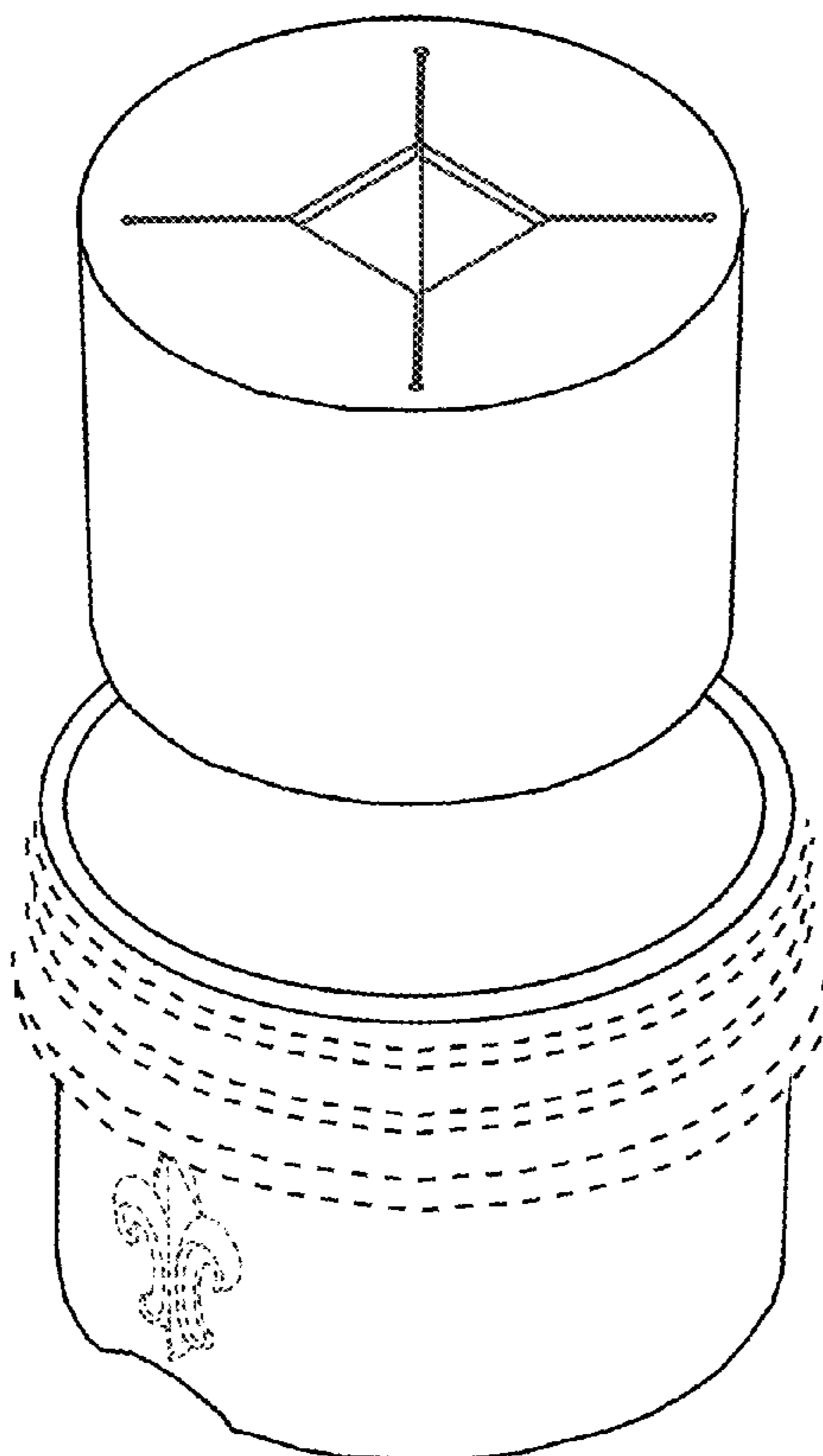
FIG. 1 is an exploded view of the furniture leg cover; and,
FIG. 2 is a view of the furniture leg cover of FIG. 1 from the
front;
FIG. 3 is a view of the furniture leg cover of FIG. 1 from the
back;
FIG. 4 is a view of the furniture leg cover of FIG. 1 from the
left;
FIG. 5 is a view of the furniture leg cover of FIG. 1 from the
right; and,
FIG. 6 is an environmental view of the furniture leg cover.
Broken lines illustrate environmental features and form no
part of the claimed design.

(56) **References Cited**

U.S. PATENT DOCUMENTS

1,374,029 A * 4/1921 Prickett A47B 91/12
248/615
1,554,327 A * 9/1925 Boberg A47B 91/12
248/346.11
1,912,728 A * 6/1933 Roe A47B 91/12
248/346.11

1 Claim, 4 Drawing Sheets



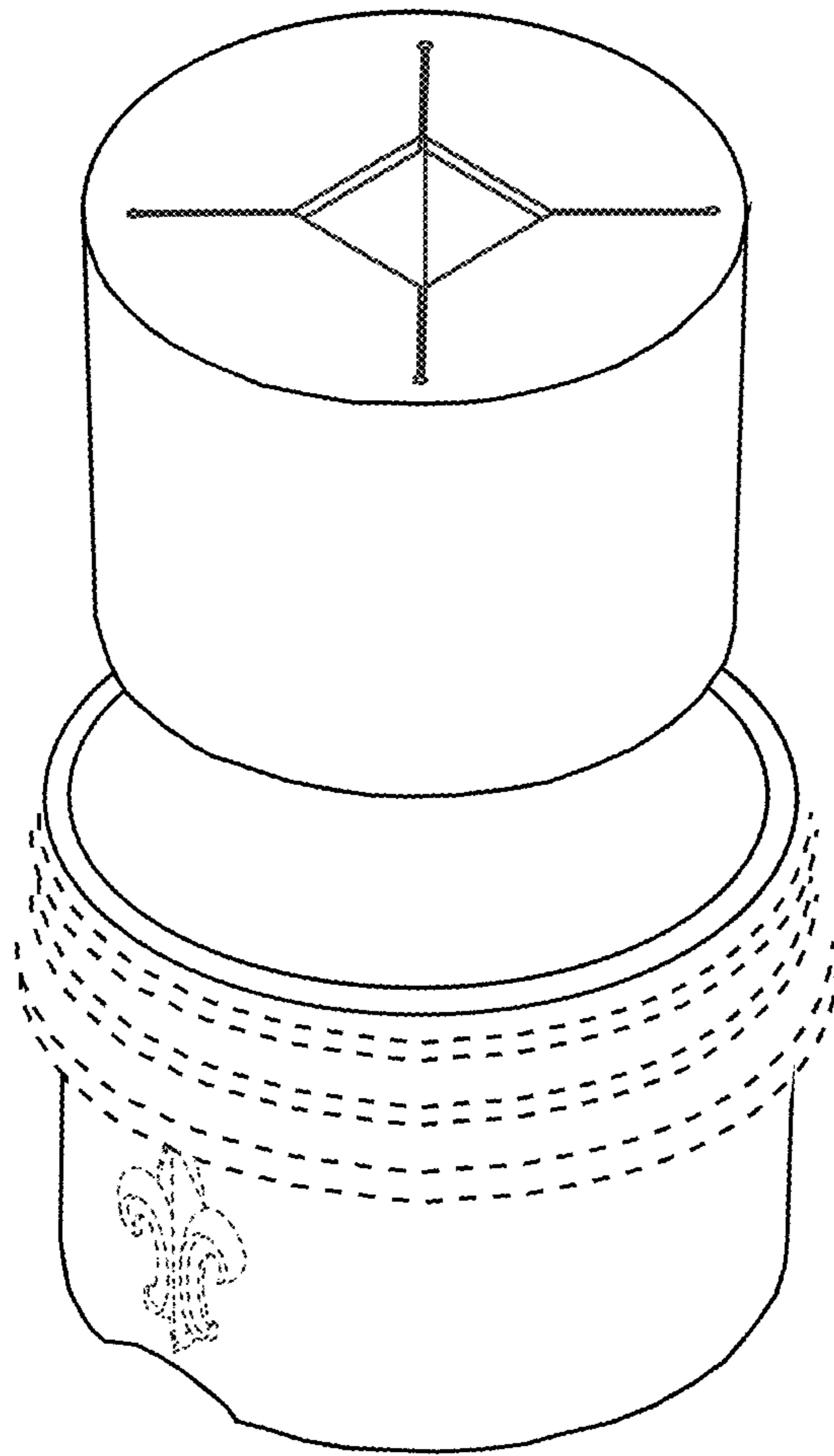


FIG. 1

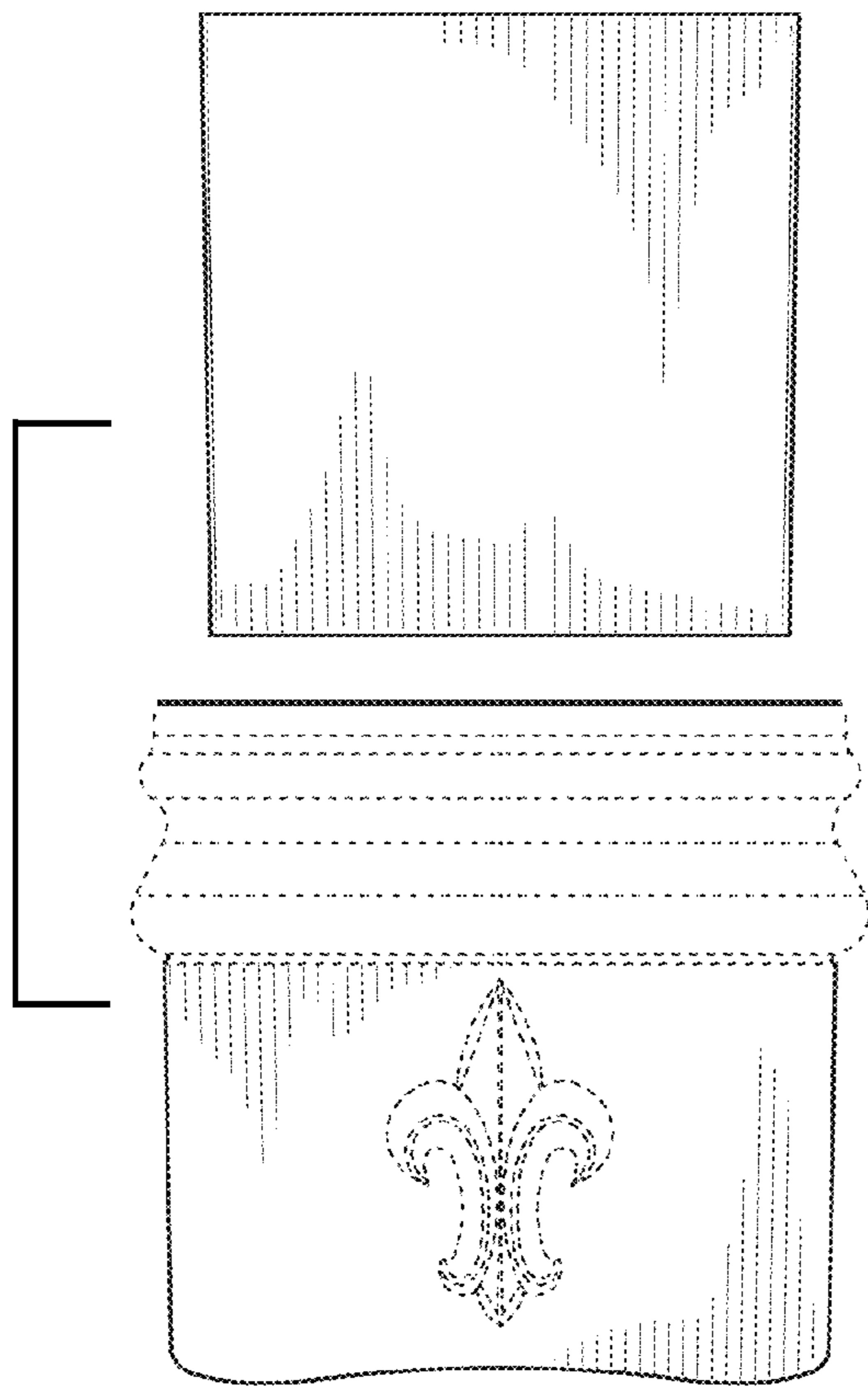


FIG. 2

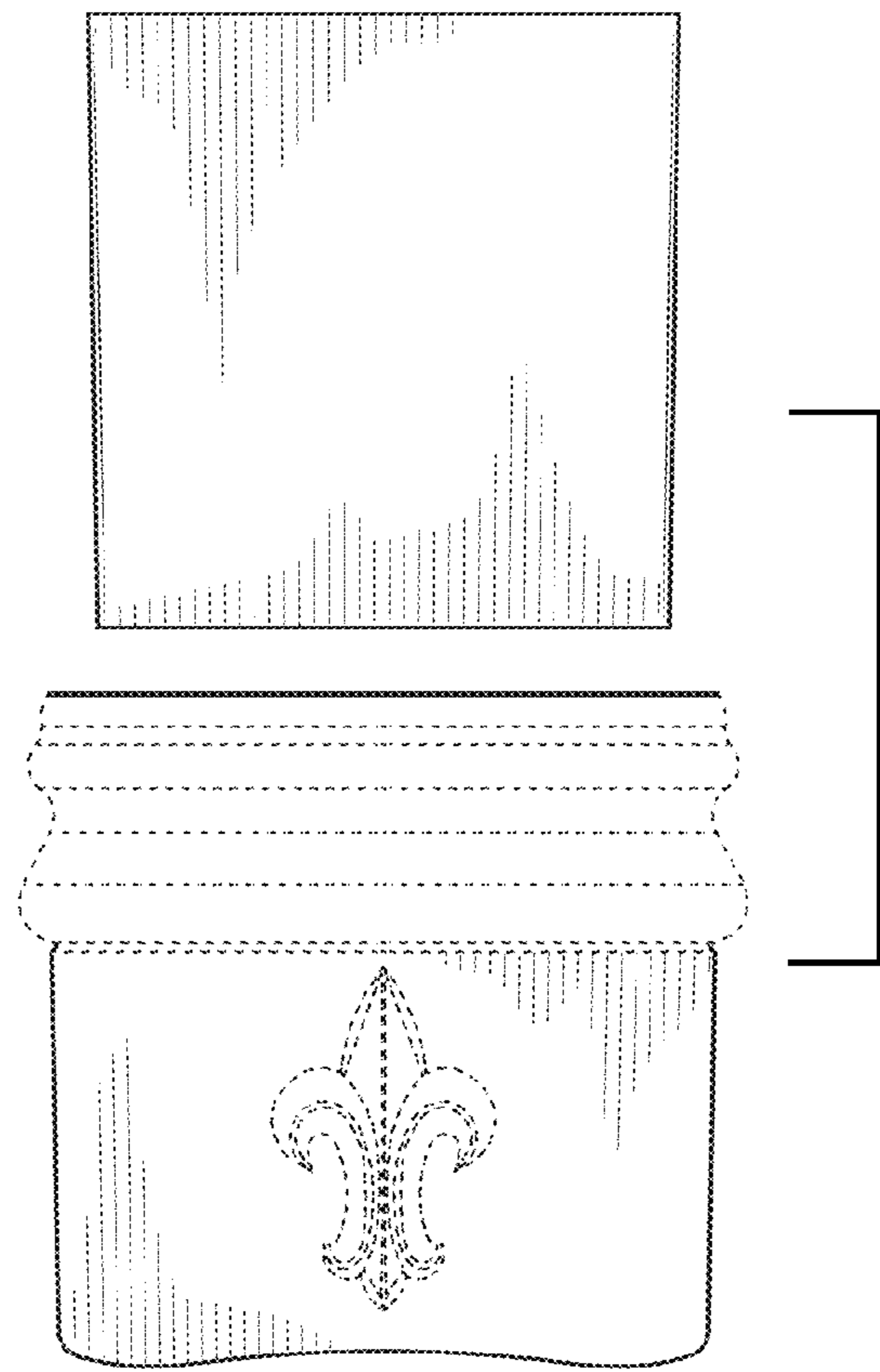


FIG. 3

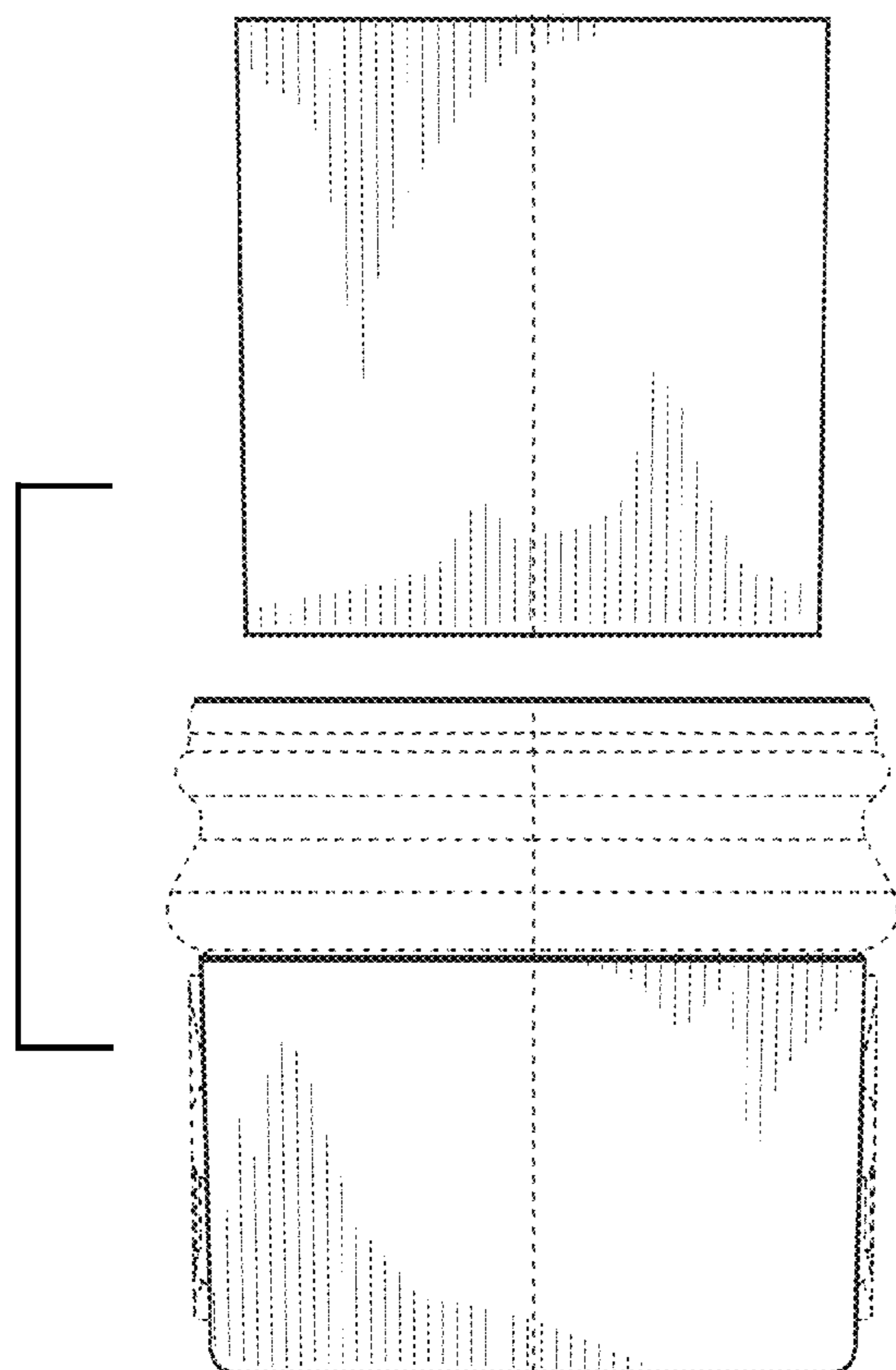


FIG. 4

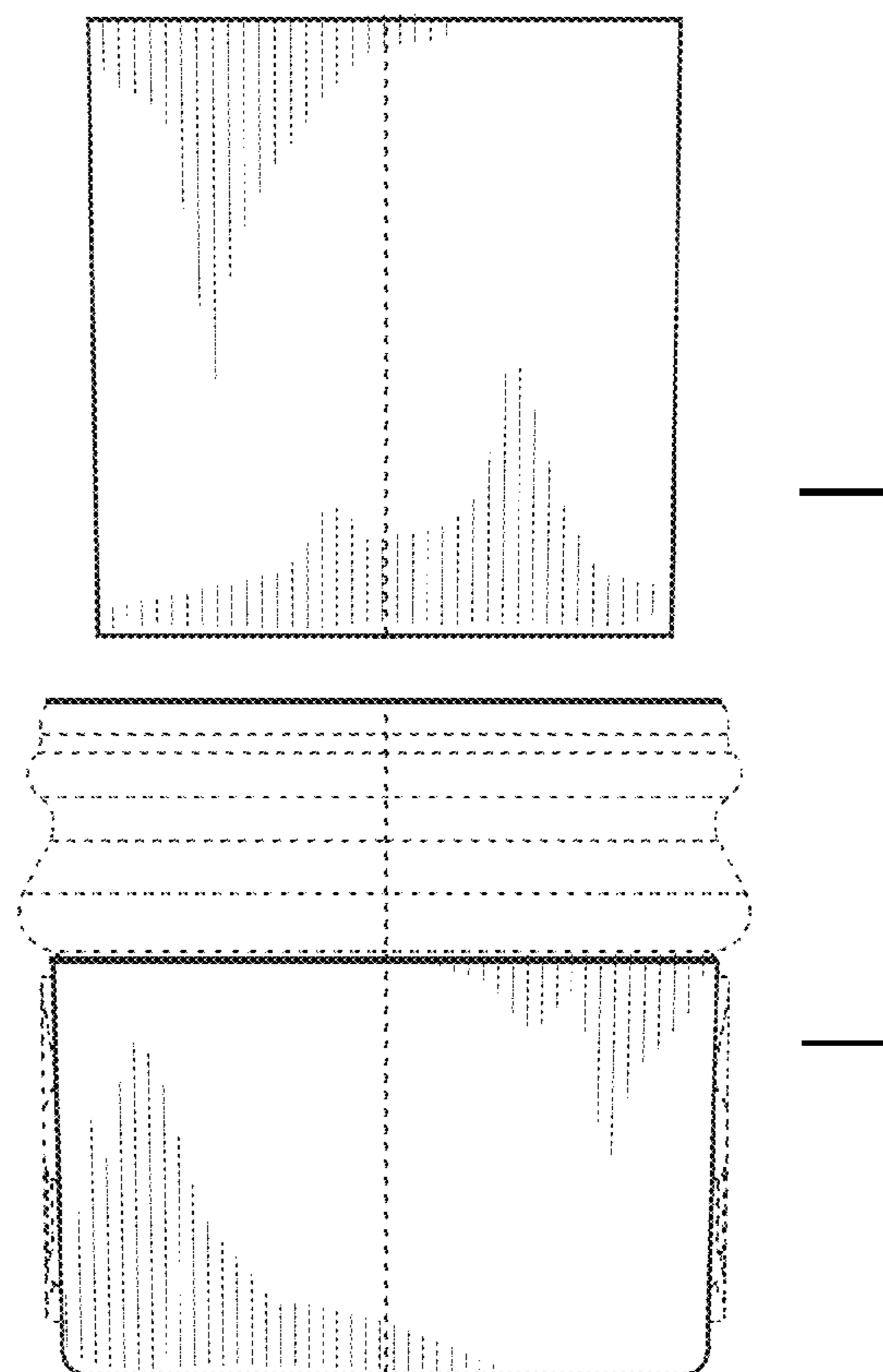


FIG. 5

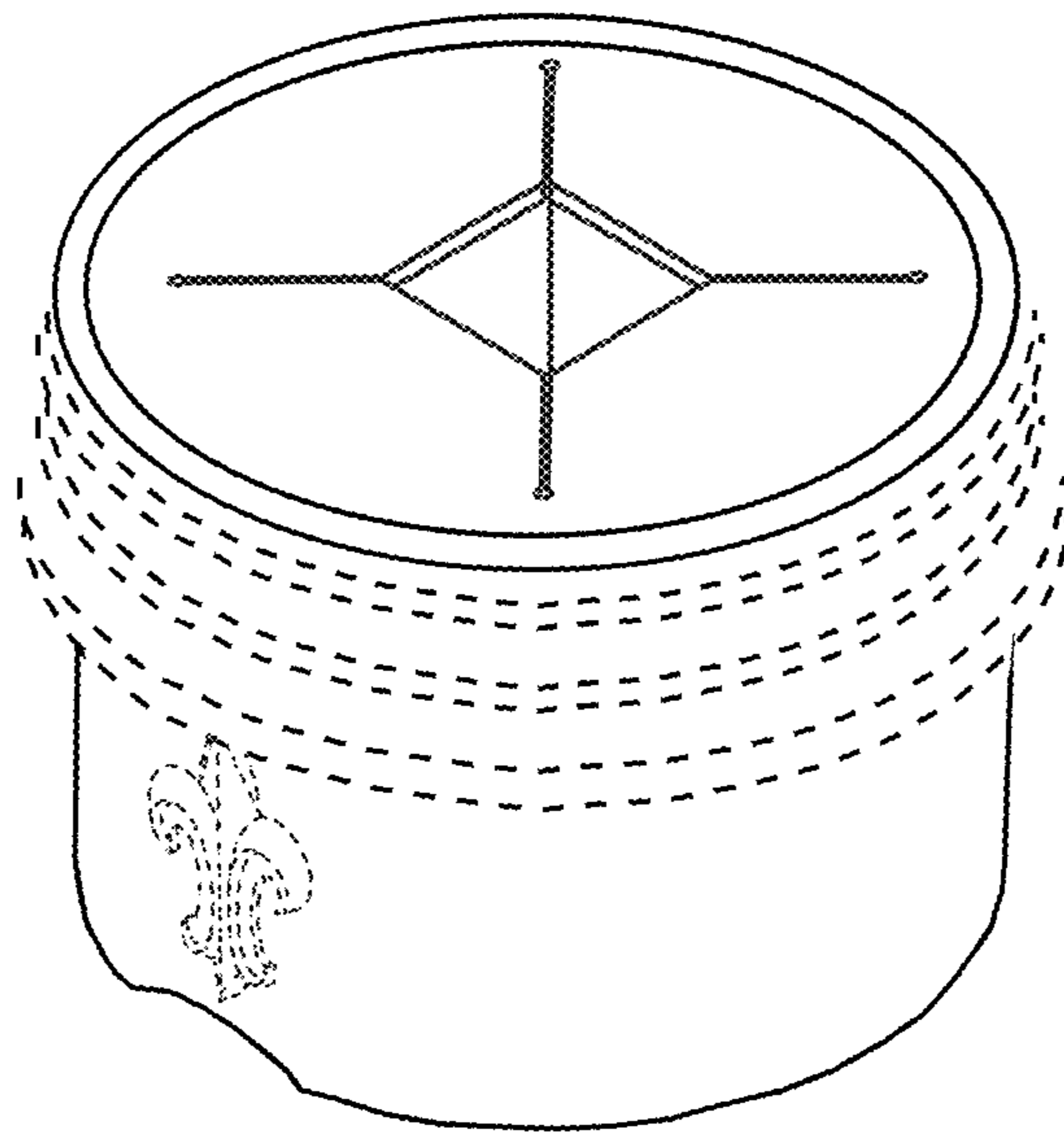


FIG. 6