



US0D1071108S

(12) **United States Design Patent**
Flynn Shaner

(10) **Patent No.:** **US D1,071,108 S**
(45) **Date of Patent:** **** Apr. 15, 2025**

(54) **TOILET-TO-URINAL ADAPTER FOR
POTTY-TRAINING CHILDREN**

FOREIGN PATENT DOCUMENTS

CN 202030578735.9 * 9/2020

(71) Applicant: **LooLaLa, LLC**, La Jolla, CA (US)

OTHER PUBLICATIONS

(72) Inventor: **Julie Anne Flynn Shaner**, Salt Lake City, UT (US)

Amazon, Nuby Urinal Potty Trainer, posted Nov. 16, 2022, [online], [visited Aug. 10, 2024]. Internet, <URL: <https://www.amazon.co.uk/Nuby-Urinal-Training-Life-Like-Toddlers/dp/B0BLWFQZNC/ref?th=1>> (Year: 2022).*

(73) Assignee: **LOOLALA LLC**, Holladay, UT (US)

Amazon, Amoyer Children Standing Toilet, posted May 28, 2019, [online], [visited Aug. 10, 2024]. Internet, <URL: <https://www.amazon.co.uk/AMOYER-Children-Toddler-Standing-Bathroom/dp/B07SFFBY9L/ref>> (Year: 2019).*

(**) Term: **15 Years**

* cited by examiner

(21) Appl. No.: **29/852,477**

(22) Filed: **Sep. 7, 2022**

(51) **LOC (15) Cl.** **23-07**

(52) **U.S. Cl.**
USPC **D23/296**

(58) **Field of Classification Search**
USPC D23/270, 309, 303, 296, 299, 295, 301, D23/302, 311, 300
CPC A47C 17/045; A47C 12/00; A47C 13/00; A47C 3/025; A47K 17/00; A47K 17/02; A47K 17/028; A47K 2201/00; A47K 2201/02; A47K 2201/025
See application file for complete search history.

Primary Examiner — Samantha Wood

(74) *Attorney, Agent, or Firm* — The Buche Law Firm, P.C.; Bryce A. Johnson; John K. Buche

(57) **CLAIM**

The ornamental design for a “toilet-to-urinal adapter for potty-training children” as shown and described.

DESCRIPTION

FIG. 1 is a perspective view of the toilet-to-urinal adapter for potty-training children;
FIG. 2 is a backside view thereof;
FIG. 3 is a front view thereof;
FIG. 4 is a left side view thereof;
FIG. 5 is a top view thereof; and,
FIG. 6 is an environmental view thereof.

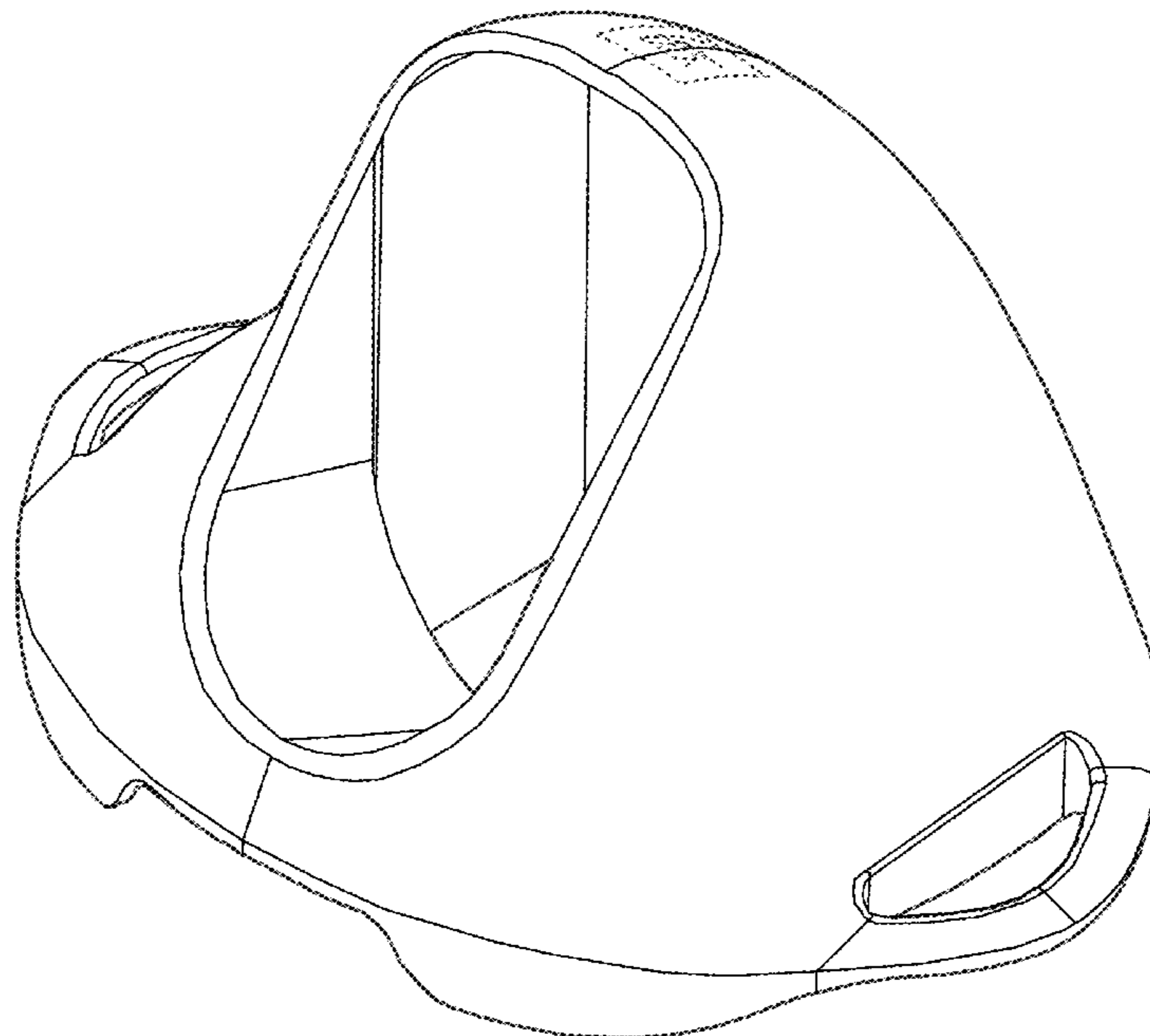
Broken lines of FIGS. 1-2 illustrate unclaimed features of the toilet-to-urinal adapter. Broken lines of FIG. 7 illustrate environmental features and form no part of the claimed design.

(56) **References Cited**

U.S. PATENT DOCUMENTS

D260,423 S *	8/1981	Helkama-Ragard	D23/296
D431,638 S *	10/2000	Chiu	D23/302
D472,620 S *	4/2003	Phillips	D23/309
D706,911 S *	6/2014	Park	D23/296
D796,748 S *	9/2017	Takagi	D30/161
D884,846 S *	5/2020	Chaklos	D23/296
D975,250 S *	1/2023	Jiang	D23/299
D1,021,020 S *	4/2024	Zhou	D23/296
D1,025,315 S *	4/2024	Chen	D23/296

1 Claim, 4 Drawing Sheets



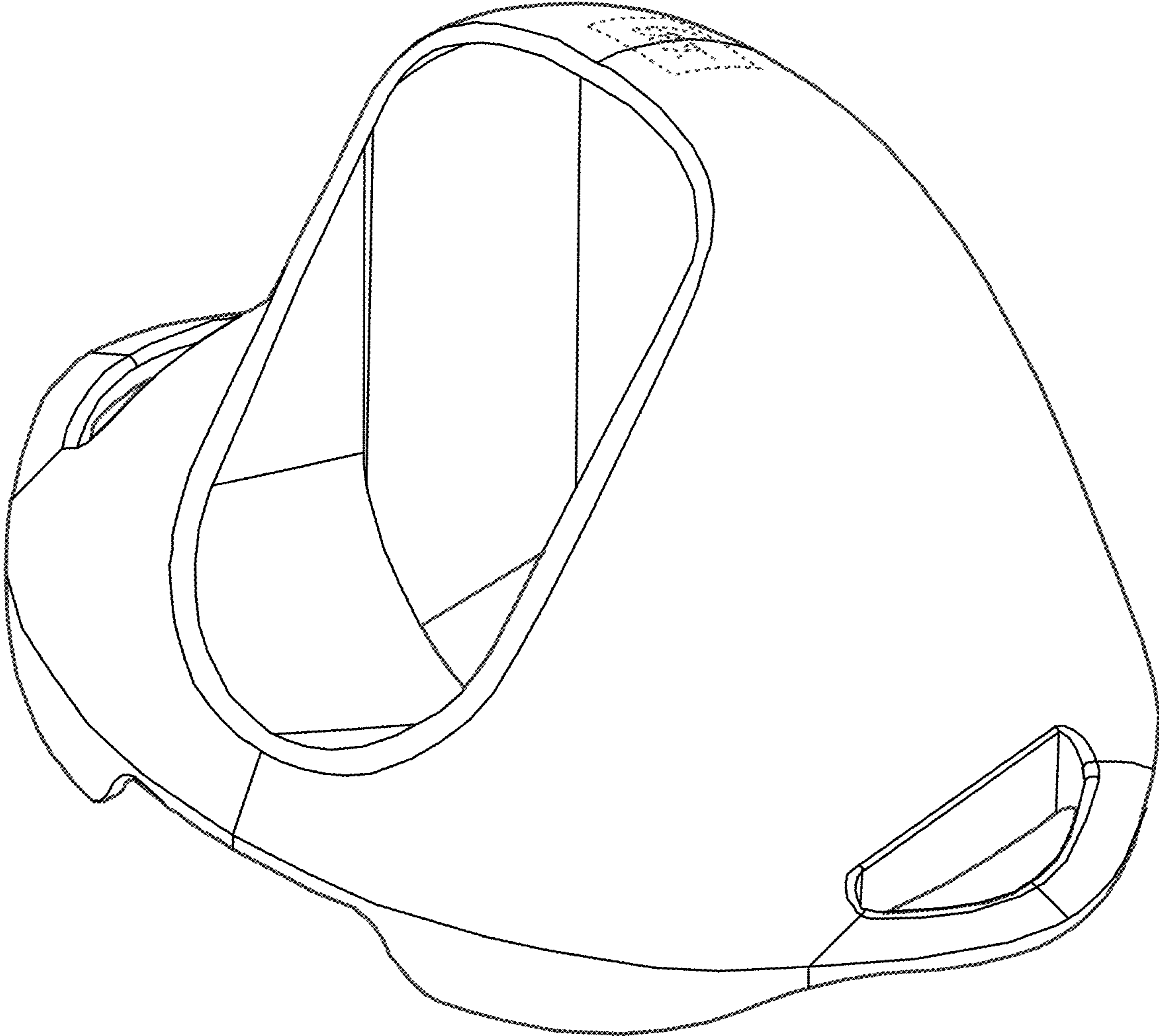


FIG. 1

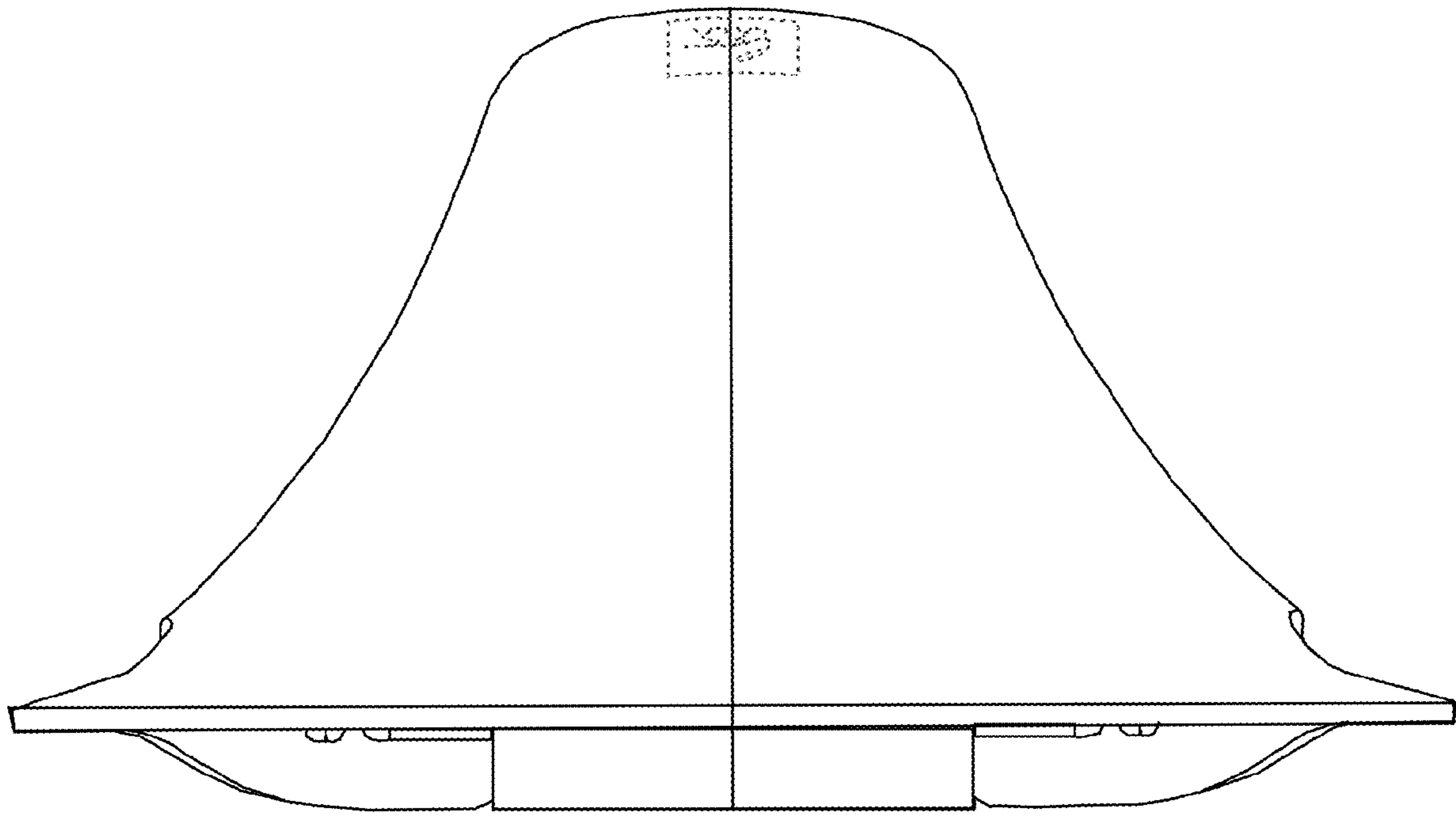


FIG. 2

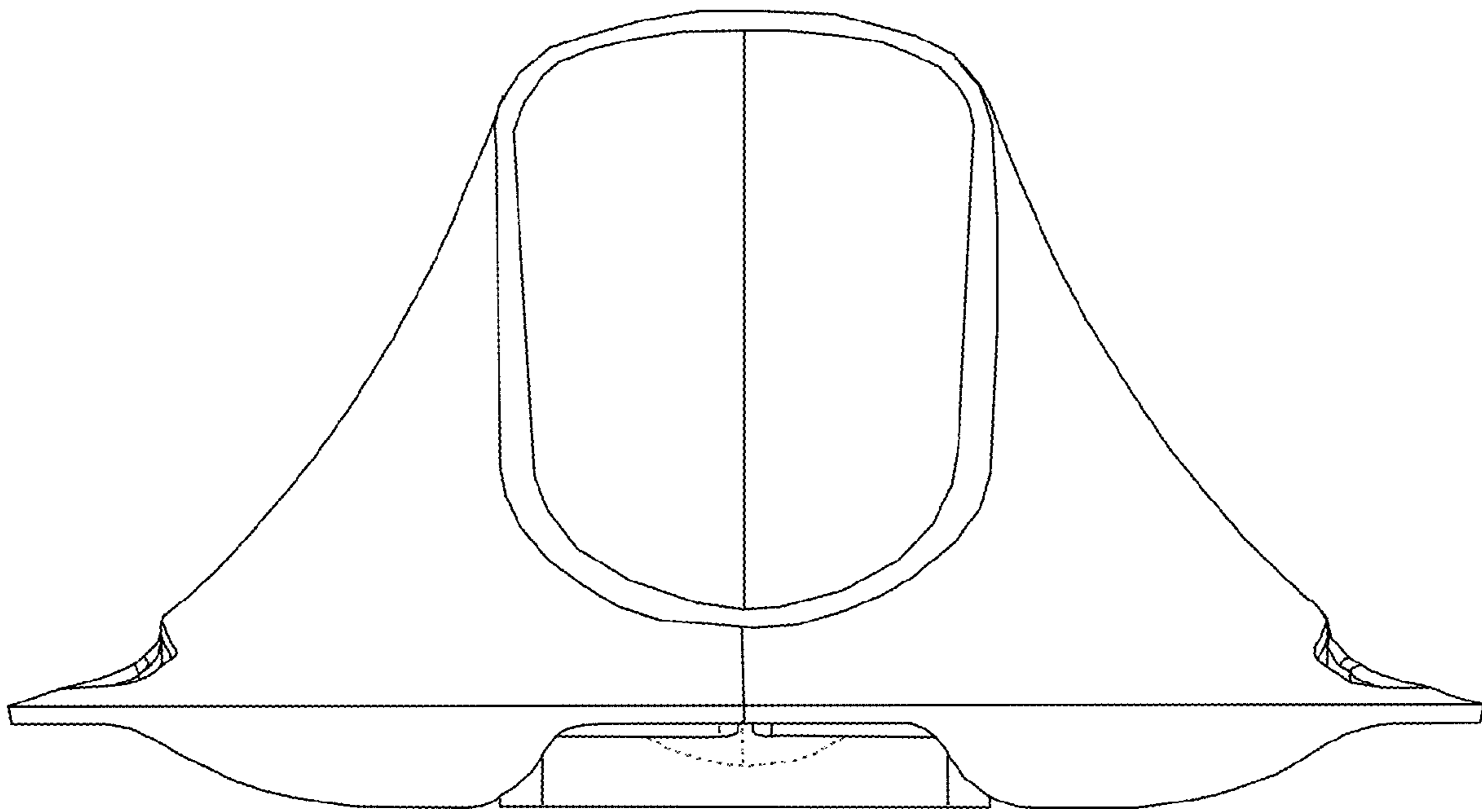


FIG. 3

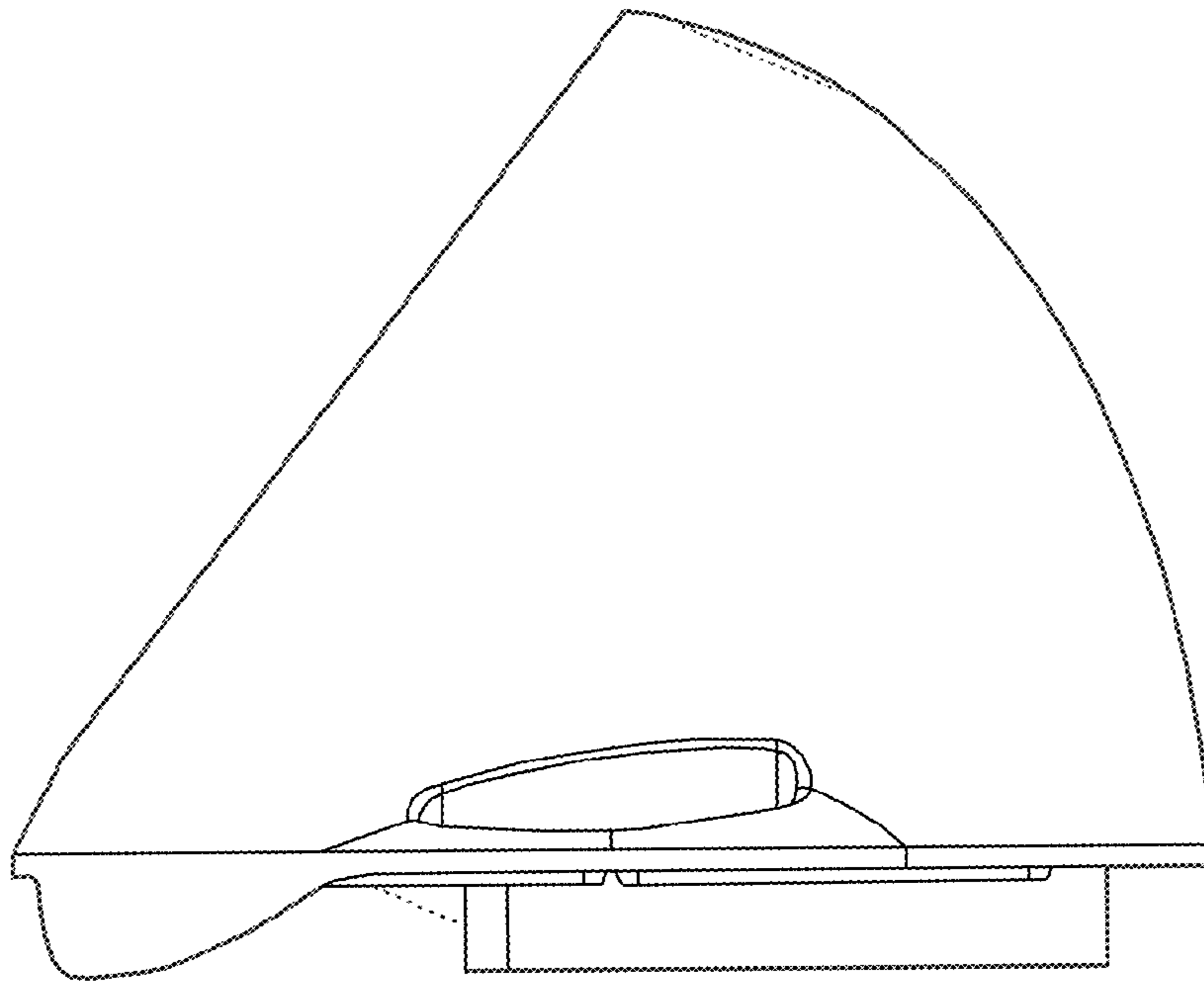


FIG. 4

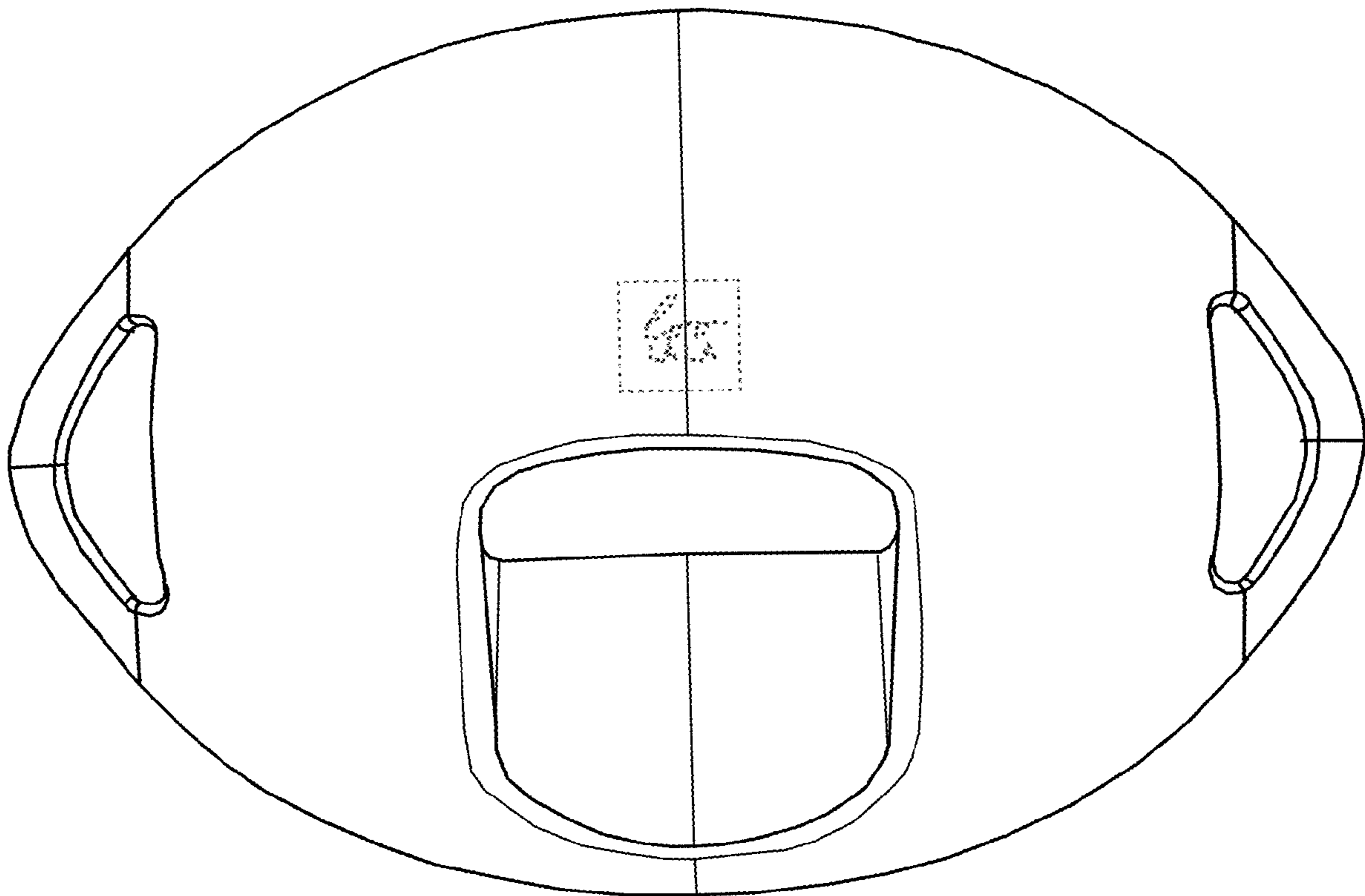


FIG. 5

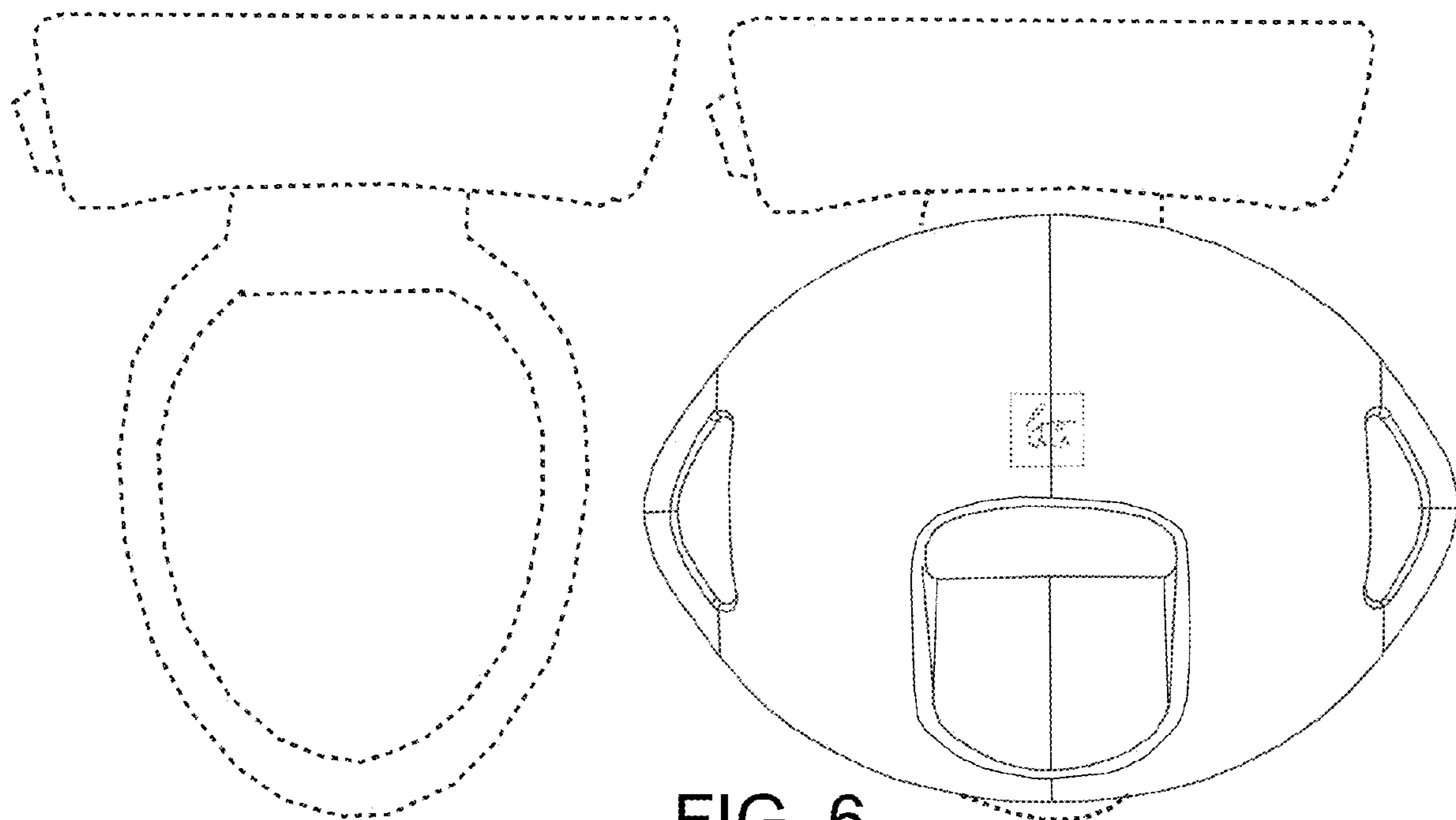


FIG. 6