



US0D1090193S

(12) **United States Design Patent** (10) **Patent No.:** **US D1,090,193 S**
Falkenberg (45) **Date of Patent:** **** Aug. 26, 2025**

(54) **COASTER CASE**

(71) Applicant: **Kyle Falkenberg**, San Diego, CA (US)

(72) Inventor: **Kyle Falkenberg**, San Diego, CA (US)

(**) Term: **15 Years**

(21) Appl. No.: **29/945,078**

(22) Filed: **May 31, 2024**

(51) **LOC (15) Cl.** **07-06**

(52) **U.S. Cl.**
USPC **D7/624.1**

(58) **Field of Classification Search**
USPC D7/624.1-625, 538, 540, 542, 602, 629,
D7/630; D3/201, 203.1, 203.2; D28/78,
D28/82, 83; D24/224

(Continued)

(56) **References Cited**

U.S. PATENT DOCUMENTS

2,533,088 A * 12/1950 Brewer C12M 23/38
435/305.4
2,971,892 A * 2/1961 Carski C12M 23/46
435/305.4

(Continued)

OTHER PUBLICATIONS

Amazon.com. H. Store, Coastix Photo Coasters Set of 4, Personalized Picture Coasters for Drinks, Modern Square Drink Coasters for Coffee Table Decor, Shatterproof, Acrylic Glass Photo Frame Coasters, Home Decor Custom Gifts. ASIN: B07SRMMJF5. date first available Jun. 8, 2019. (Year: 2019).*

Primary Examiner — Justin M Jonaitis

Assistant Examiner — Natalya M Rapundalo

(74) *Attorney, Agent, or Firm* — Bryce A. Johnson; John K. Buche; The Buche Law Firm P.C.

(57) **CLAIM**

The ornamental design for a coaster case as shown and described.

DESCRIPTION

FIG. 1 is a perspective view of a first embodiment of a coaster case;

FIG. 2 is an exploded perspective view of the first embodiment of the coaster case;

FIG. 3 is a top plan view of a base of the first embodiment of the coaster case;

FIG. 4 is a side elevation view of the base of the first embodiment of the coaster case;

FIG. 5 is a cross sectional side view of the base of the first embodiment of the coaster case taken along line 5-5 shown in FIG. 3;

FIG. 6 is an enlarged view of portion 6 shown in FIG. 5;

FIG. 7 is a top plan view of the lid of the first embodiment of the coaster case;

FIG. 8 is a cross sectional side view of the lid of the coaster case taken along line 8-8 shown in FIG. 7;

FIG. 9 is an enlarged view of portion 9 shown in FIG. 8;

FIG. 10 is a side elevation view of the lid of the first embodiment of the coaster case;

FIG. 11 is an exploded perspective view of a second embodiment of the coaster case;

FIG. 12 is a perspective view of the second embodiment of a coaster case;

FIG. 13 is an exploded perspective view of a third embodiment of a coaster case;

FIG. 14 is a top plan view of the base of a fourth embodiment of the coaster case;

FIG. 15 is a cross sectional side view of the base of the fourth embodiment of the coaster case taken along lines 15-15 shown in FIG. 14;

FIG. 16 is an enlarged view of portion 16 shown in FIG. 15;

FIG. 17 is a side elevation view of the base of the fourth embodiment of the coaster case;

(Continued)

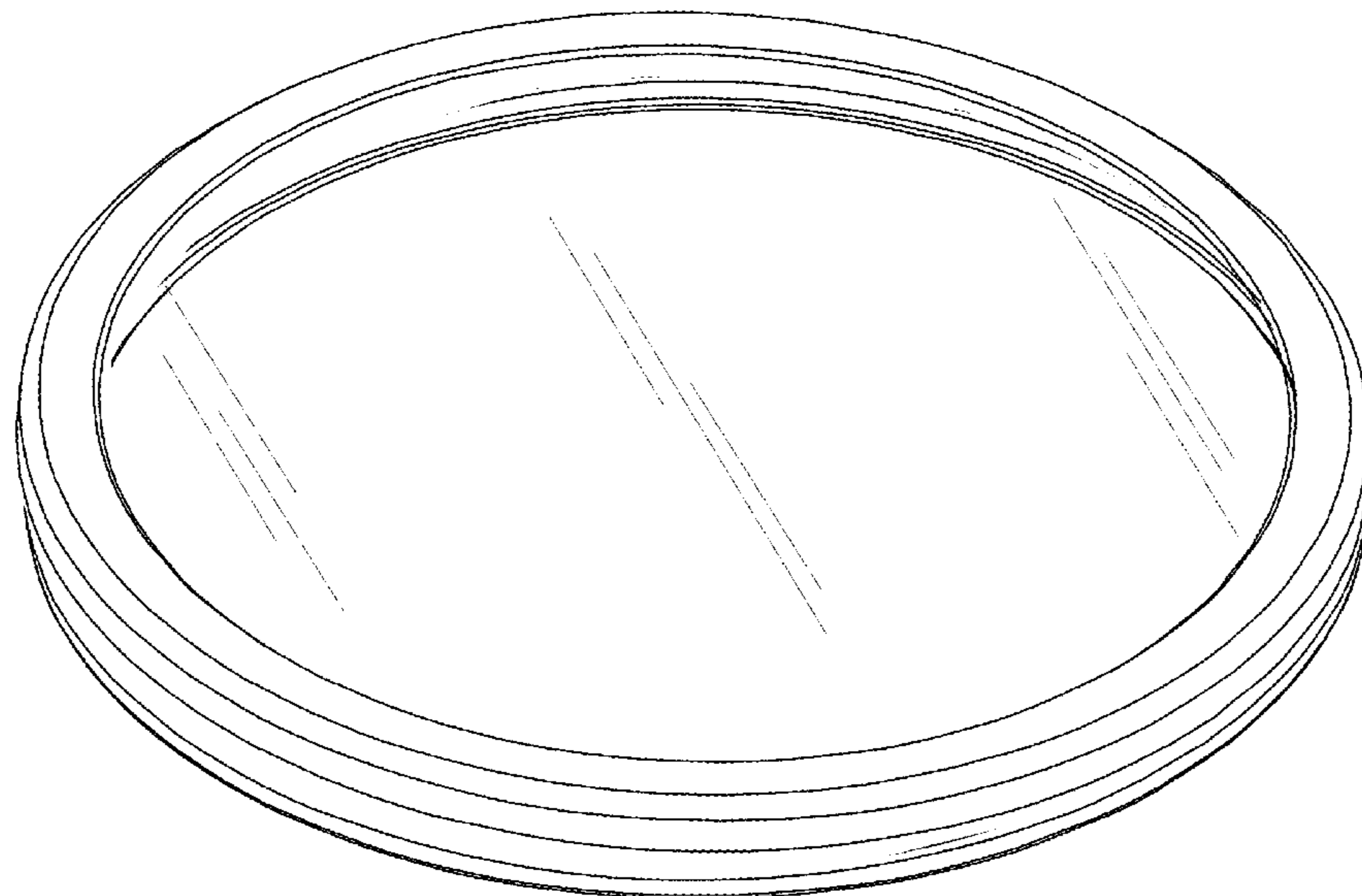


FIG. 18 is a top plan view of the lid of the fourth embodiment of the coaster case;
 FIG. 19 is a cross sectional view of the lid of the fourth embodiment of the coaster case taken along line 19-19 shown in FIG. 18;
 FIG. 20 is an enlarged view of portion 20 shown in FIG. 19; and,
 FIG. 21 is a side elevation view of the lid of the fourth embodiment of the coaster case.

1 Claim, 8 Drawing Sheets

(58) **Field of Classification Search**

CPC A47C 7/624; A47C 7/62; A47G 23/0216;
 A47G 23/03; A47G 23/032; A47G
 23/0303; A47G 23/0306; A47G 23/0313;
 A47G 23/0316; A47G 23/0309; A47G
 19/2283; A47B 91/12; A47B 91/00; A47B
 13/16; B60N 3/102

See application file for complete search history.

(56)

References Cited

U.S. PATENT DOCUMENTS

D236,577	S *	9/1975	Press	D7/706
4,858,873	A *	8/1989	Wilmoth	A47G 23/03 248/346.11
D339,830	S *	9/1993	Adell	D21/371
D343,206	S *	1/1994	Adell	D21/371
9,186,005	B1 *	11/2015	Ferrier, Jr.	A47G 23/0309
9,254,053	B2 *	2/2016	Arzumanyan	G09F 23/08
D830,981	S *	10/2018	Jeong	D13/182
D848,224	S *	5/2019	DeBoer	D7/624.1
D869,249	S *	12/2019	Mitchell	D7/624.1
D871,166	S *	12/2019	DeBoer	D7/624.1
D932,844	S *	10/2021	Falkenberg	D7/624.1
D937,638	S *	12/2021	Qi	D7/624.1
D1,014,198	S *	2/2024	Dale	D7/624.1
D1,022,621	S *	4/2024	Cheng	D7/624.1

* cited by examiner

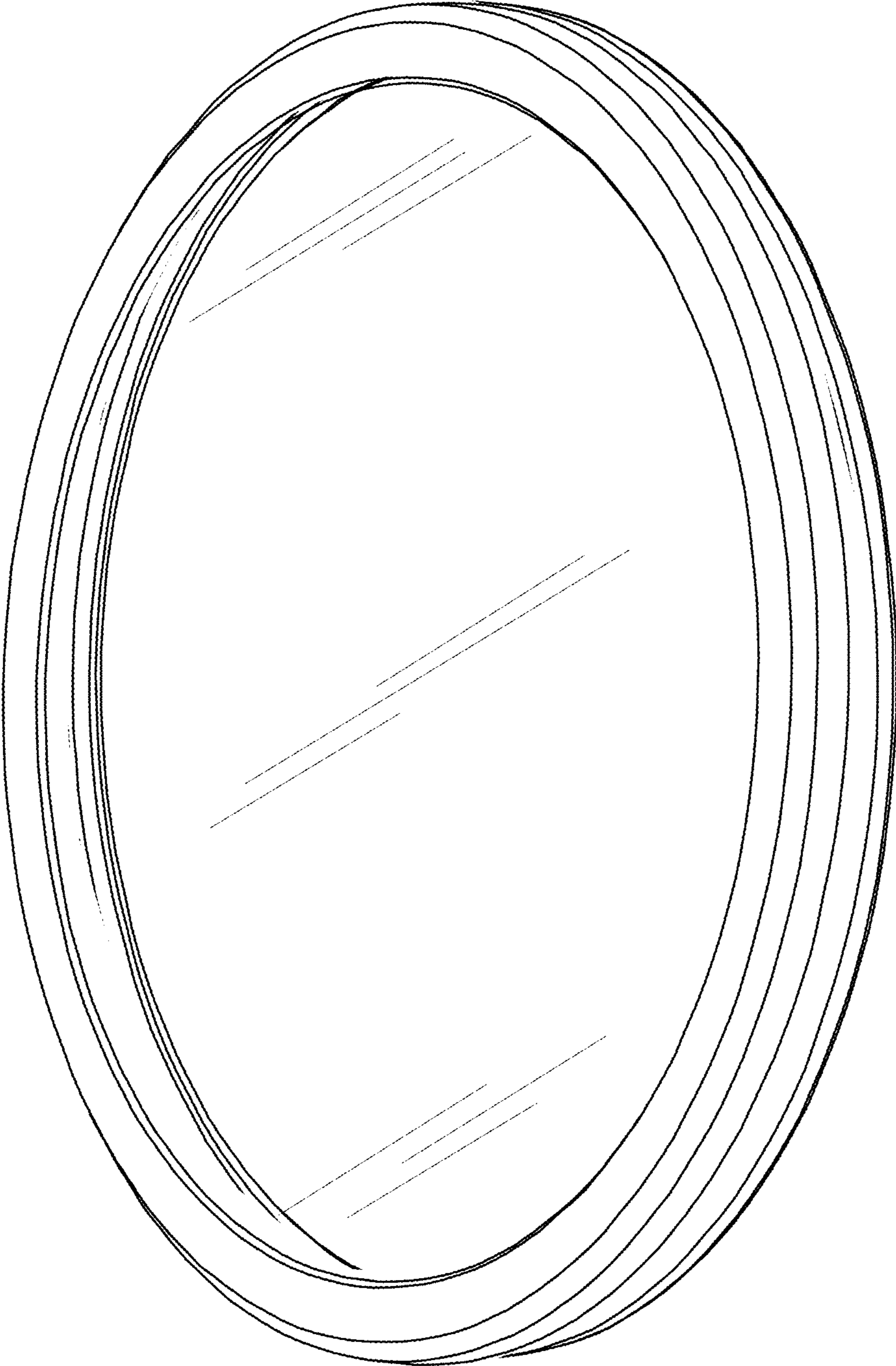


FIG. 1

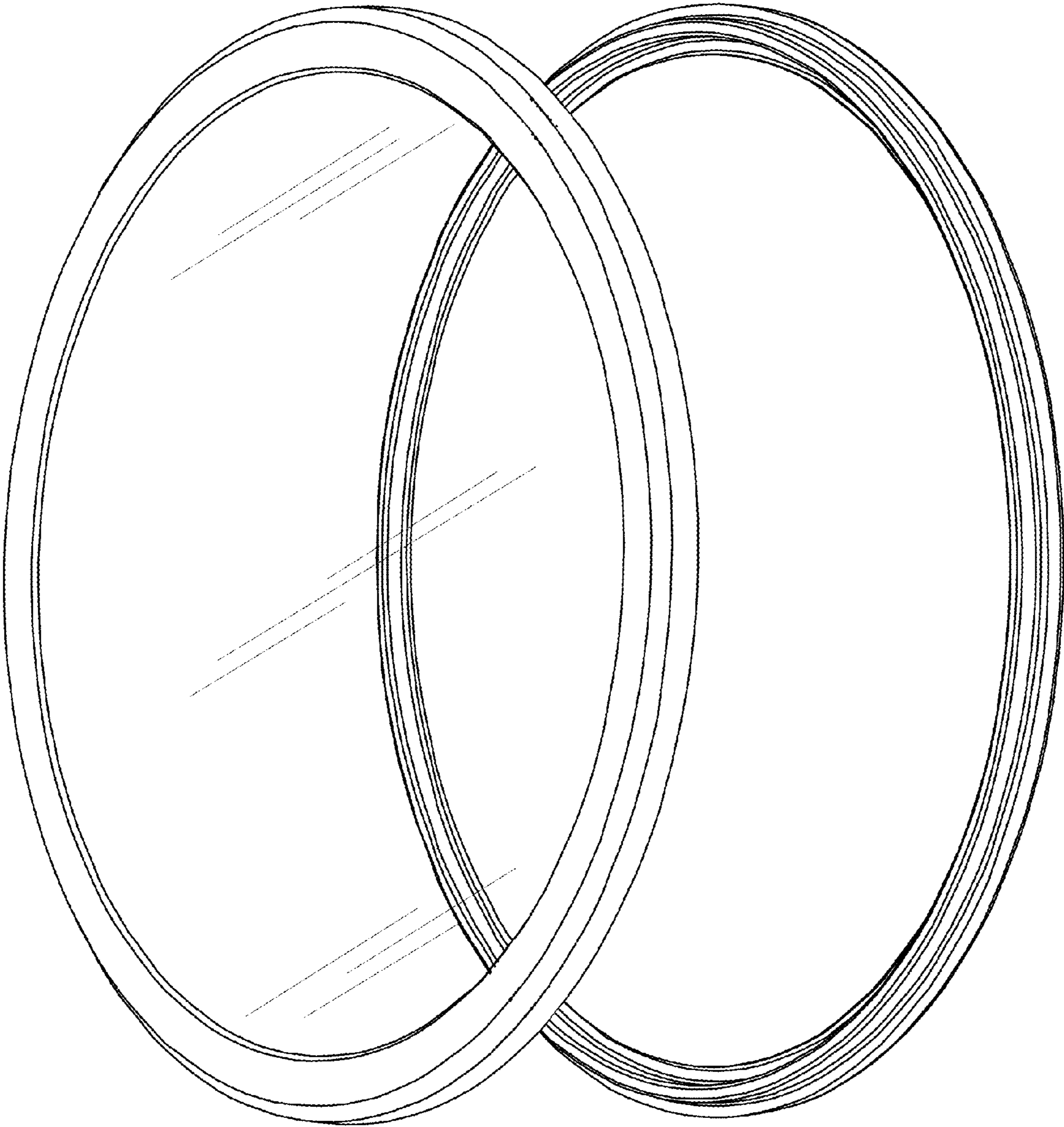


FIG. 2

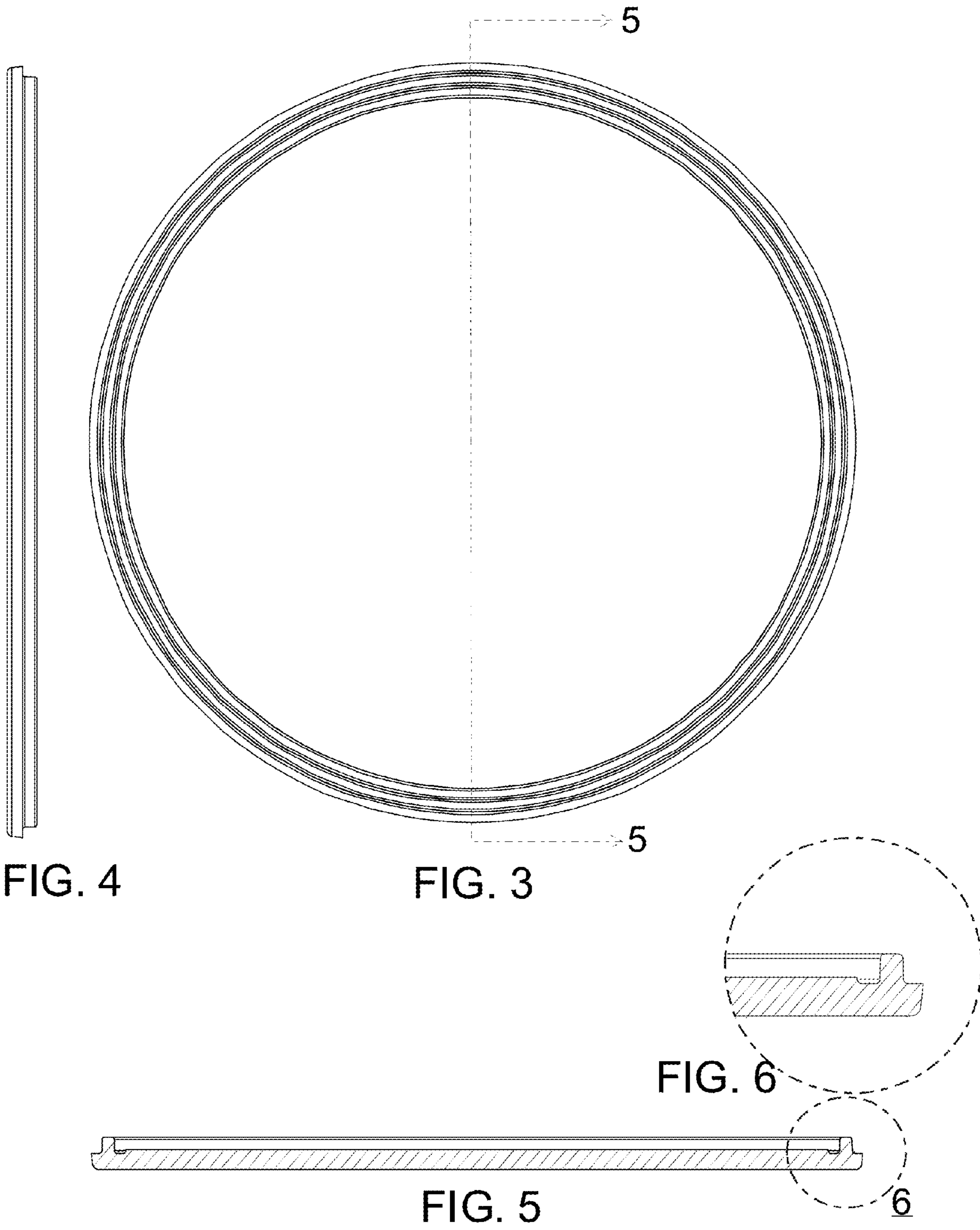


FIG. 4

FIG. 3

FIG. 6

FIG. 5

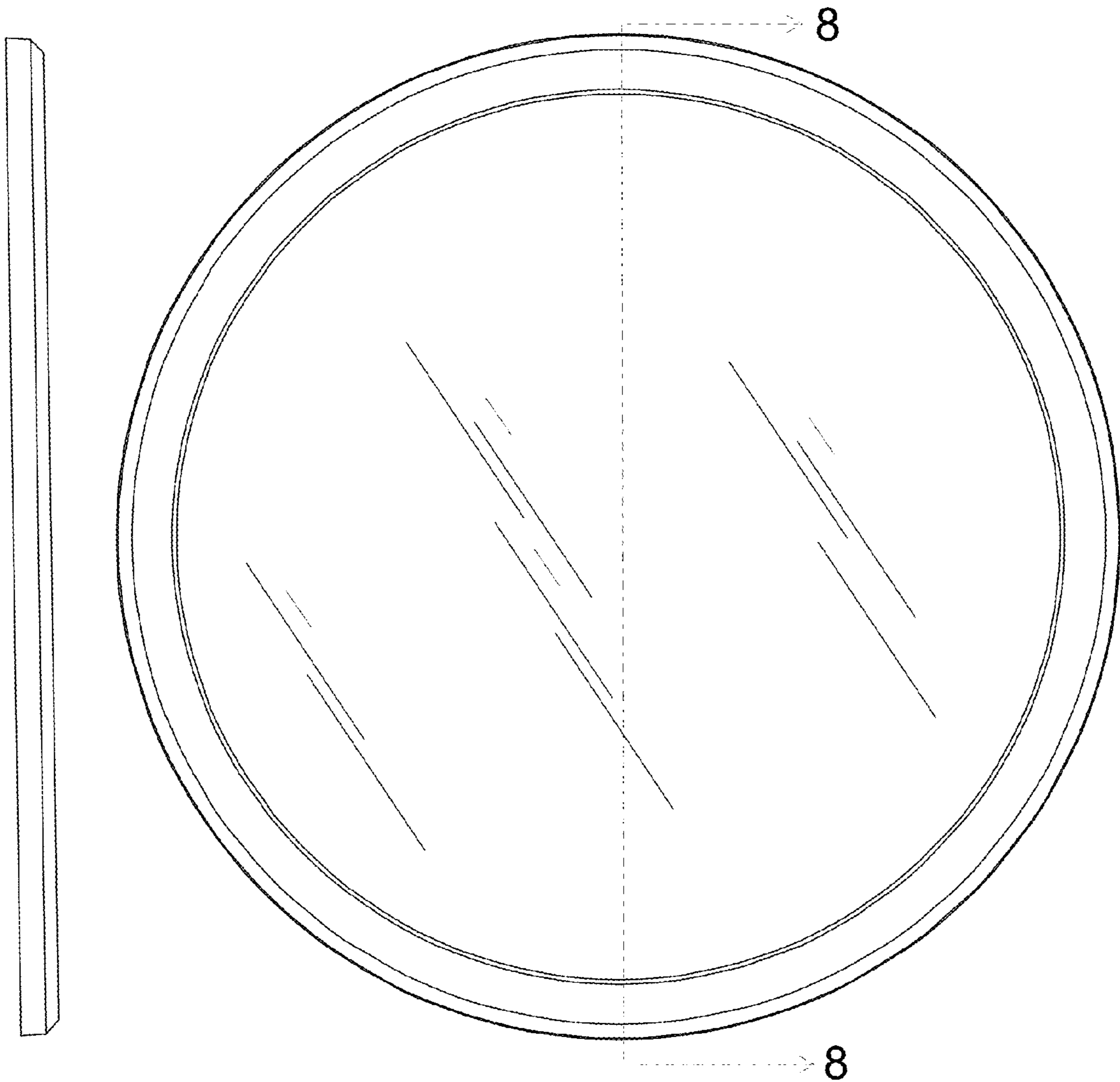


FIG. 10

FIG. 7

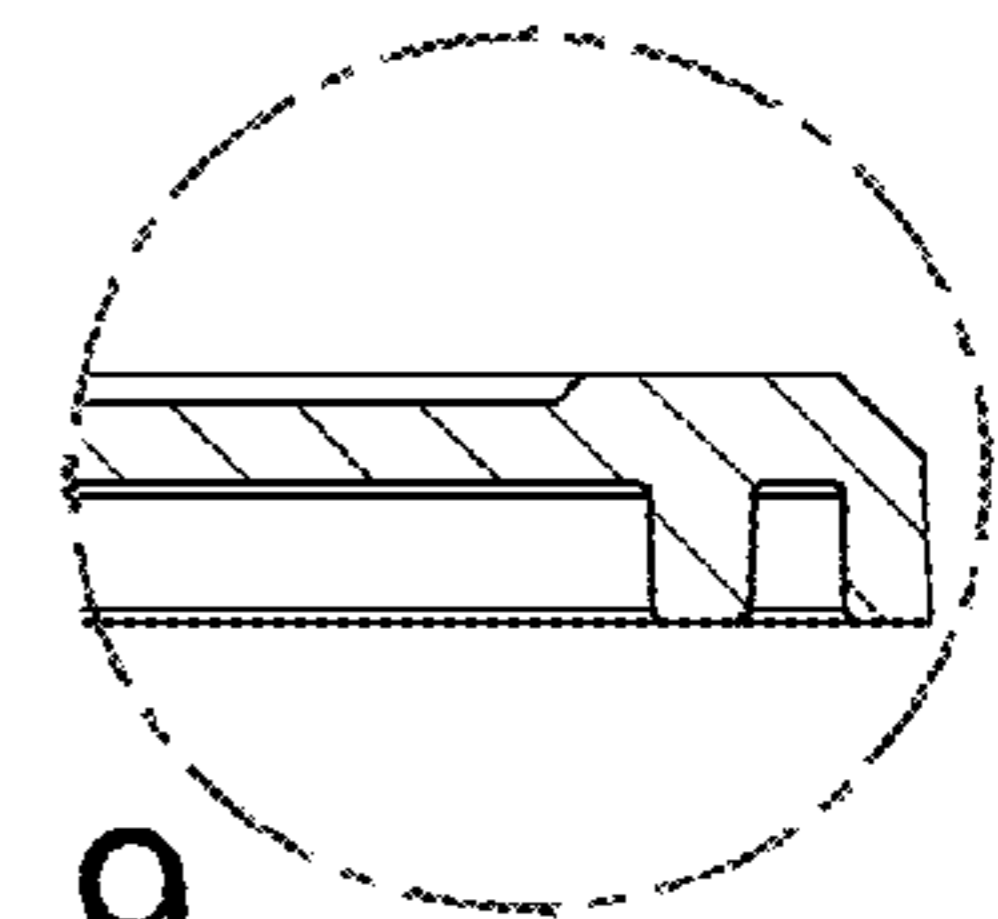


FIG. 9



FIG. 8

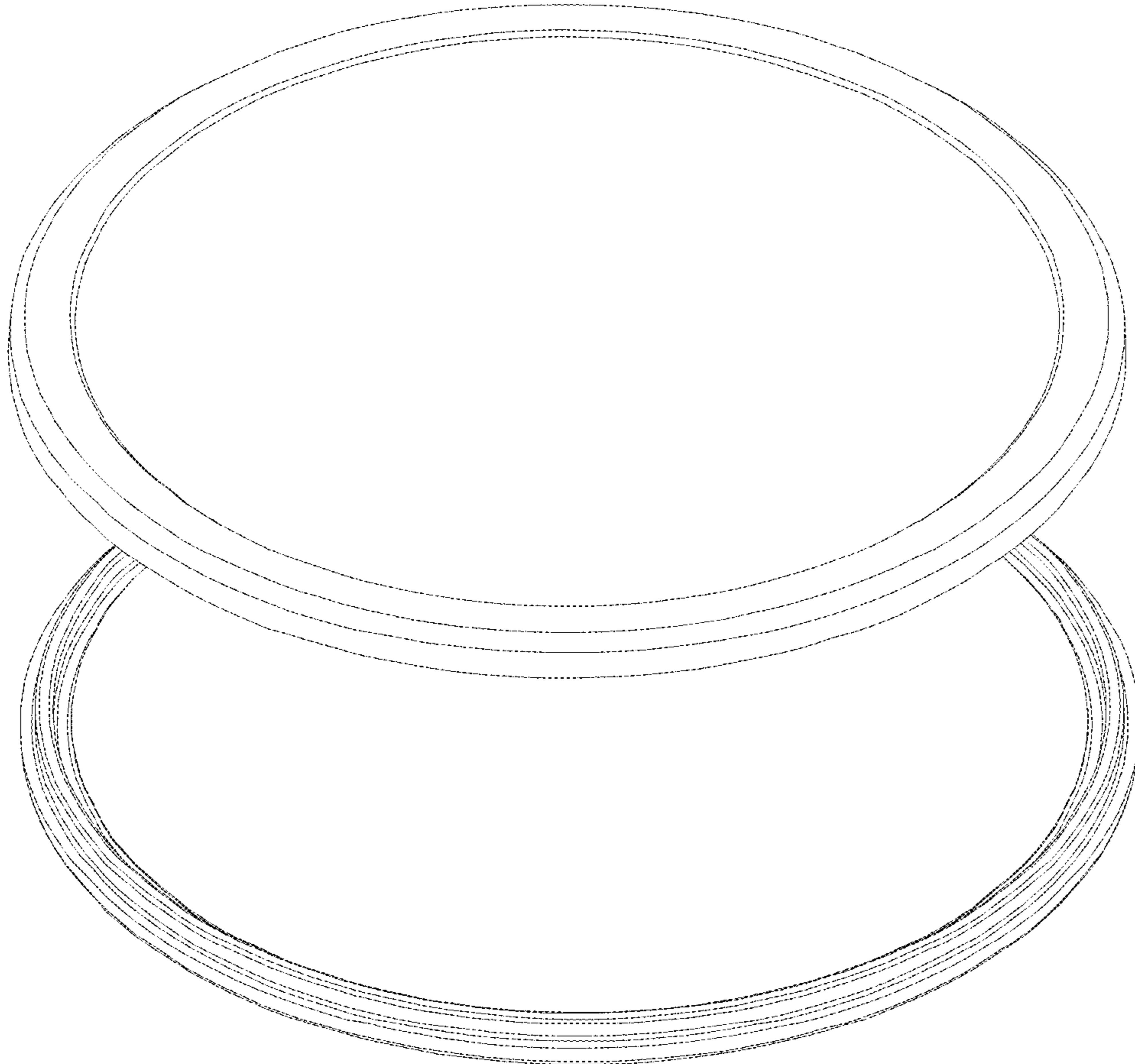


FIG. 11

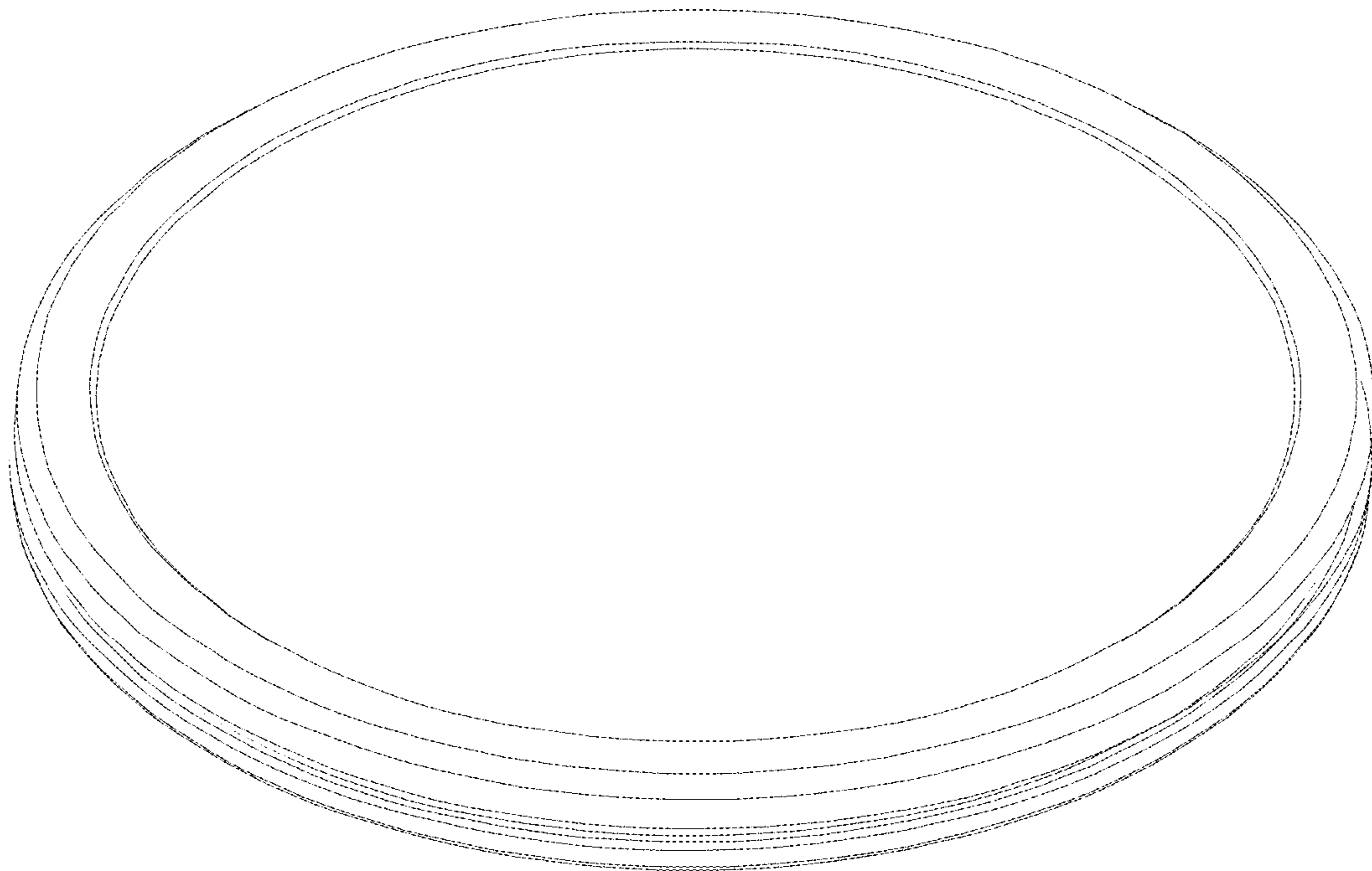


FIG. 12

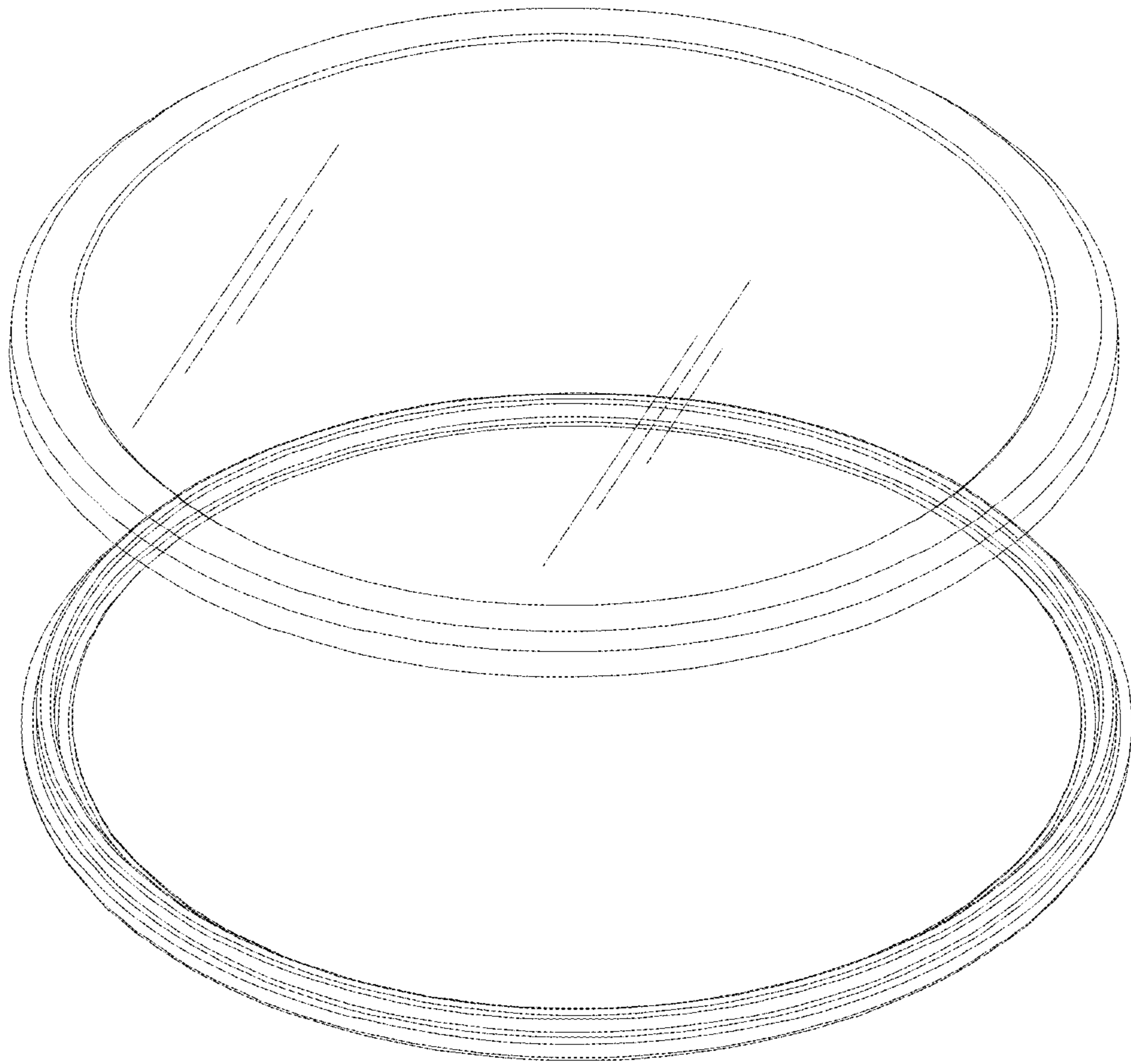


FIG. 13

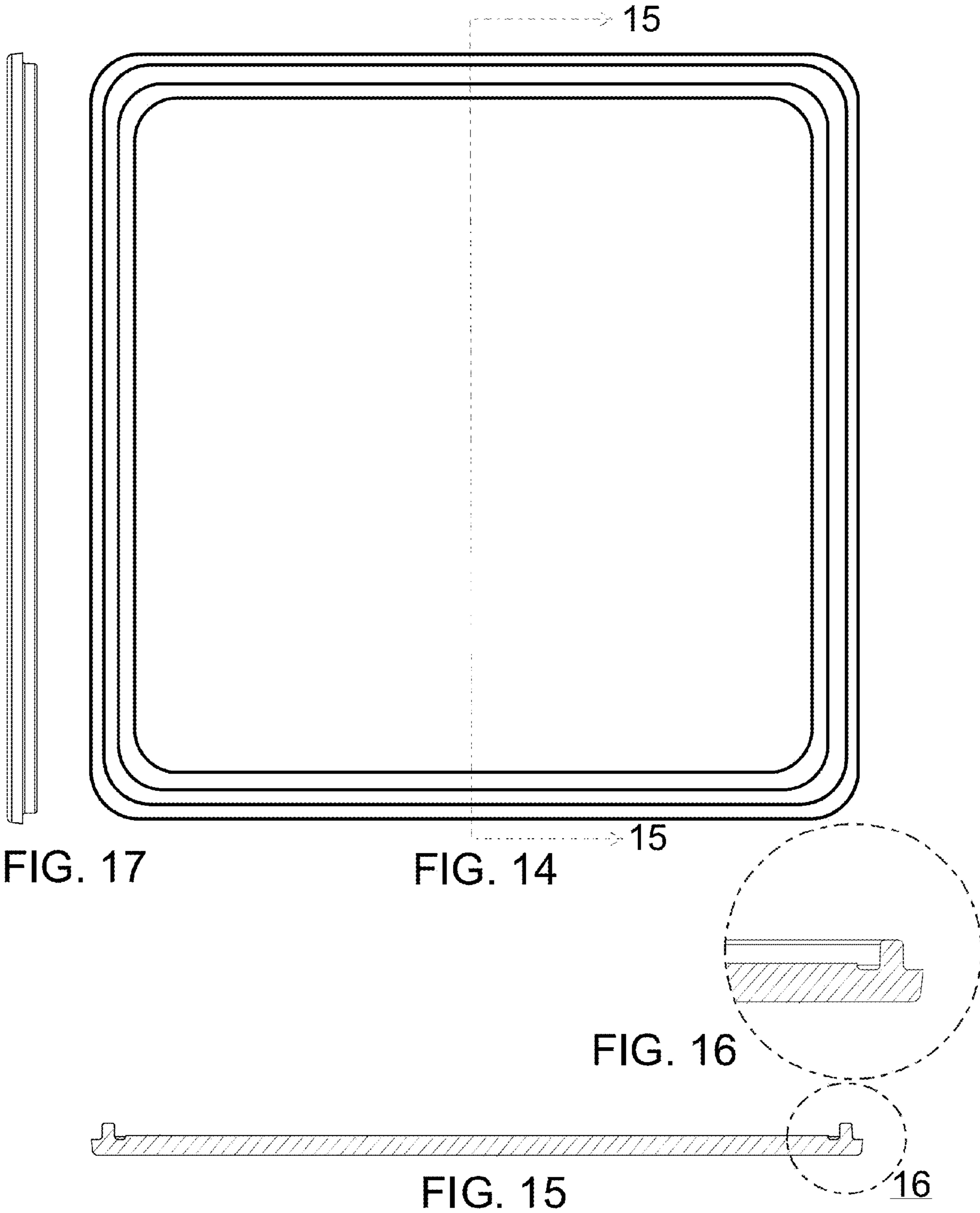


FIG. 17

FIG. 14

FIG. 16

FIG. 15

16

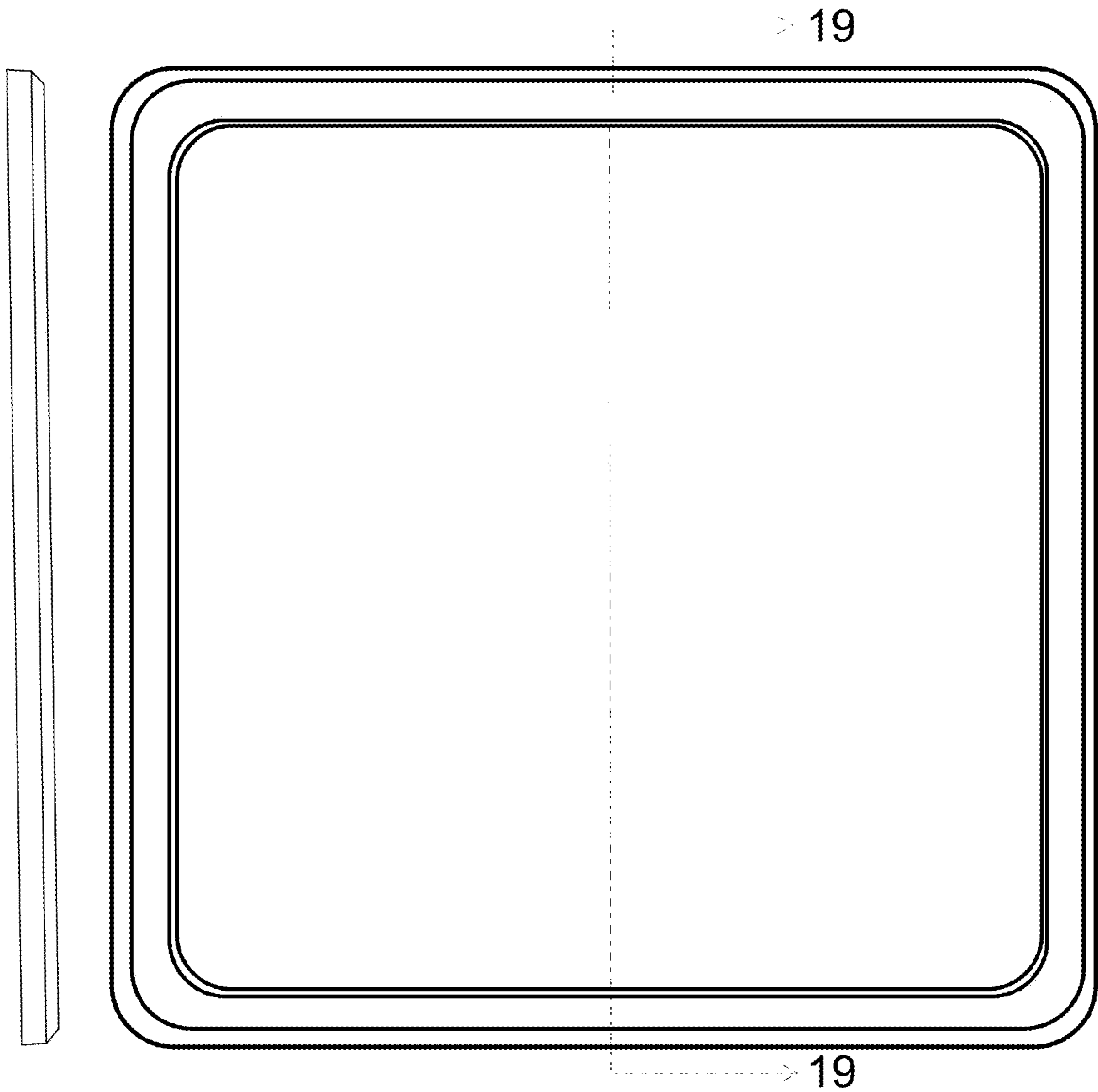


FIG. 21

FIG. 18

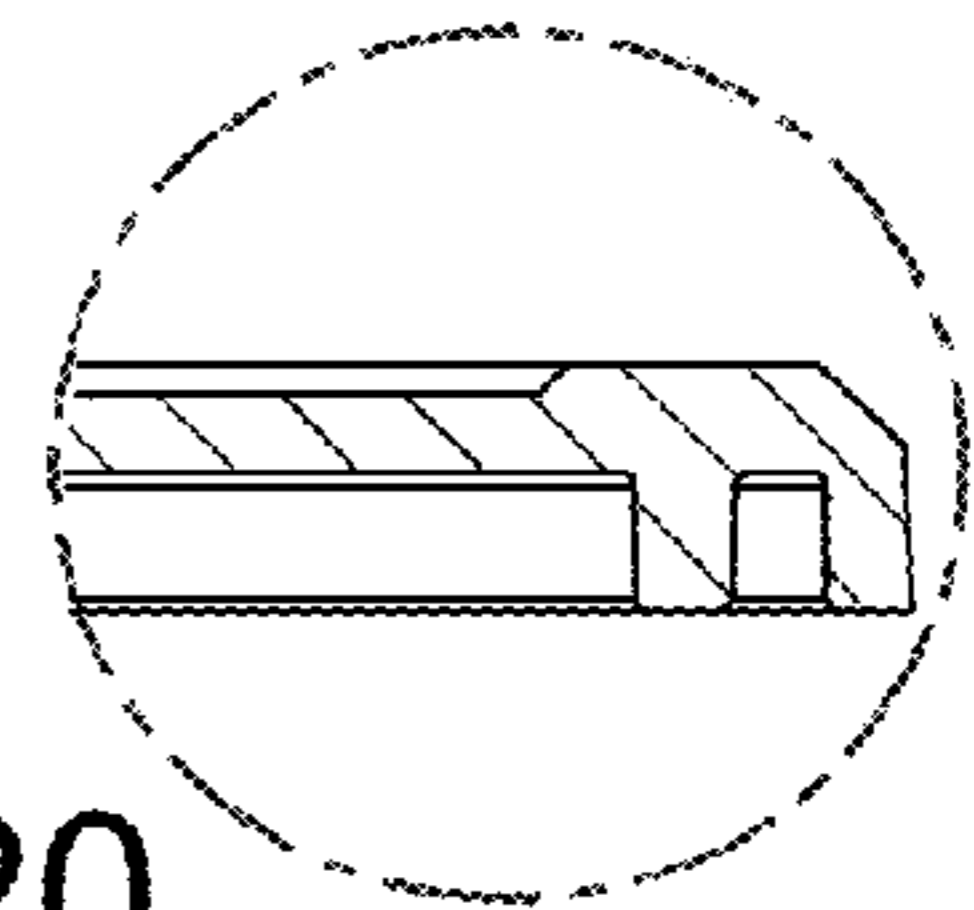


FIG. 20

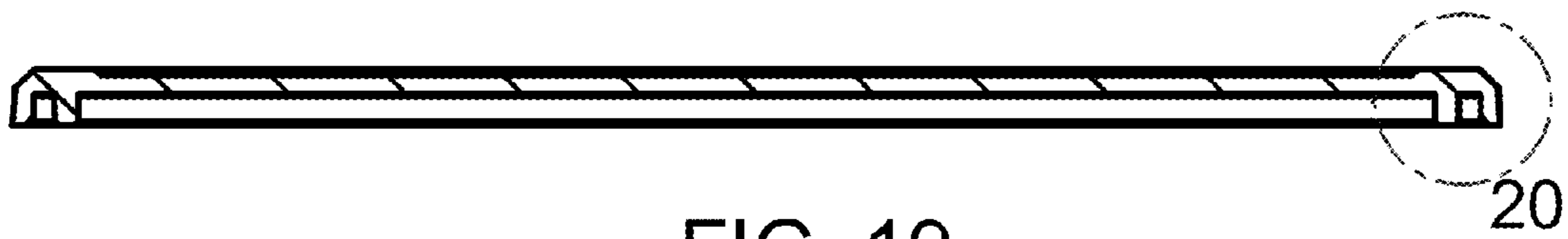


FIG. 19